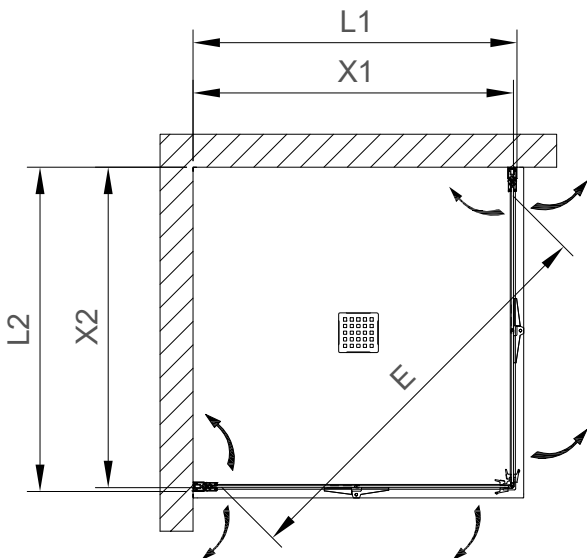
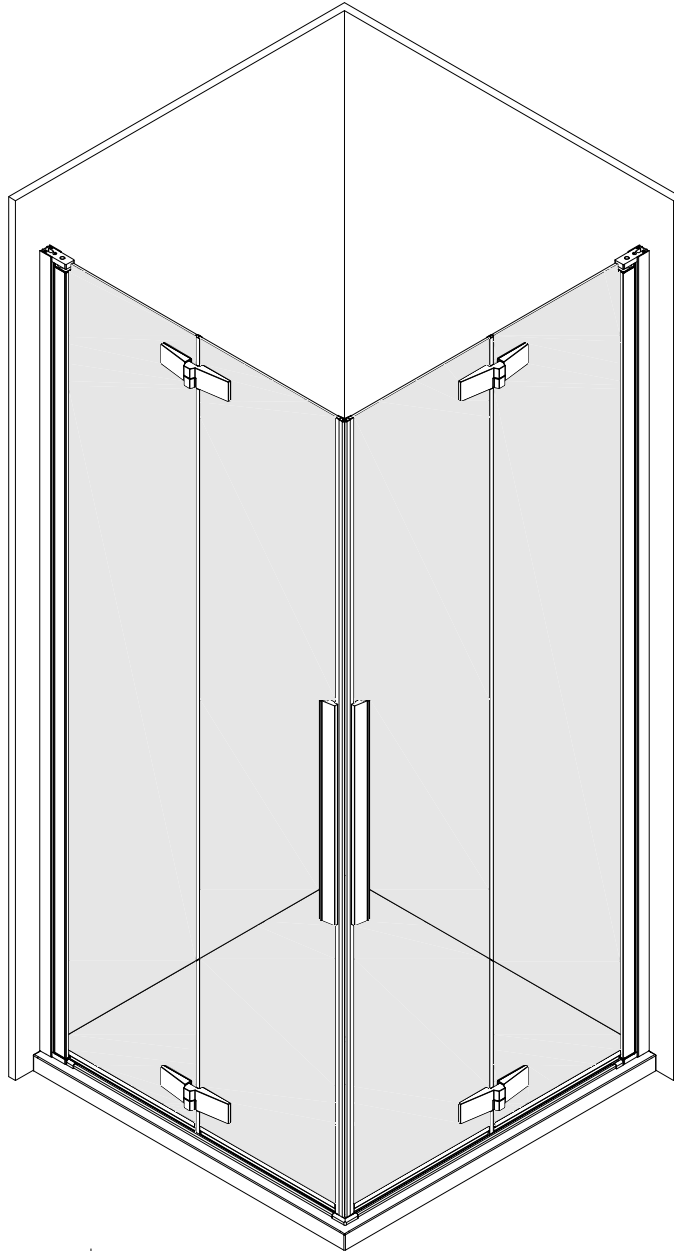
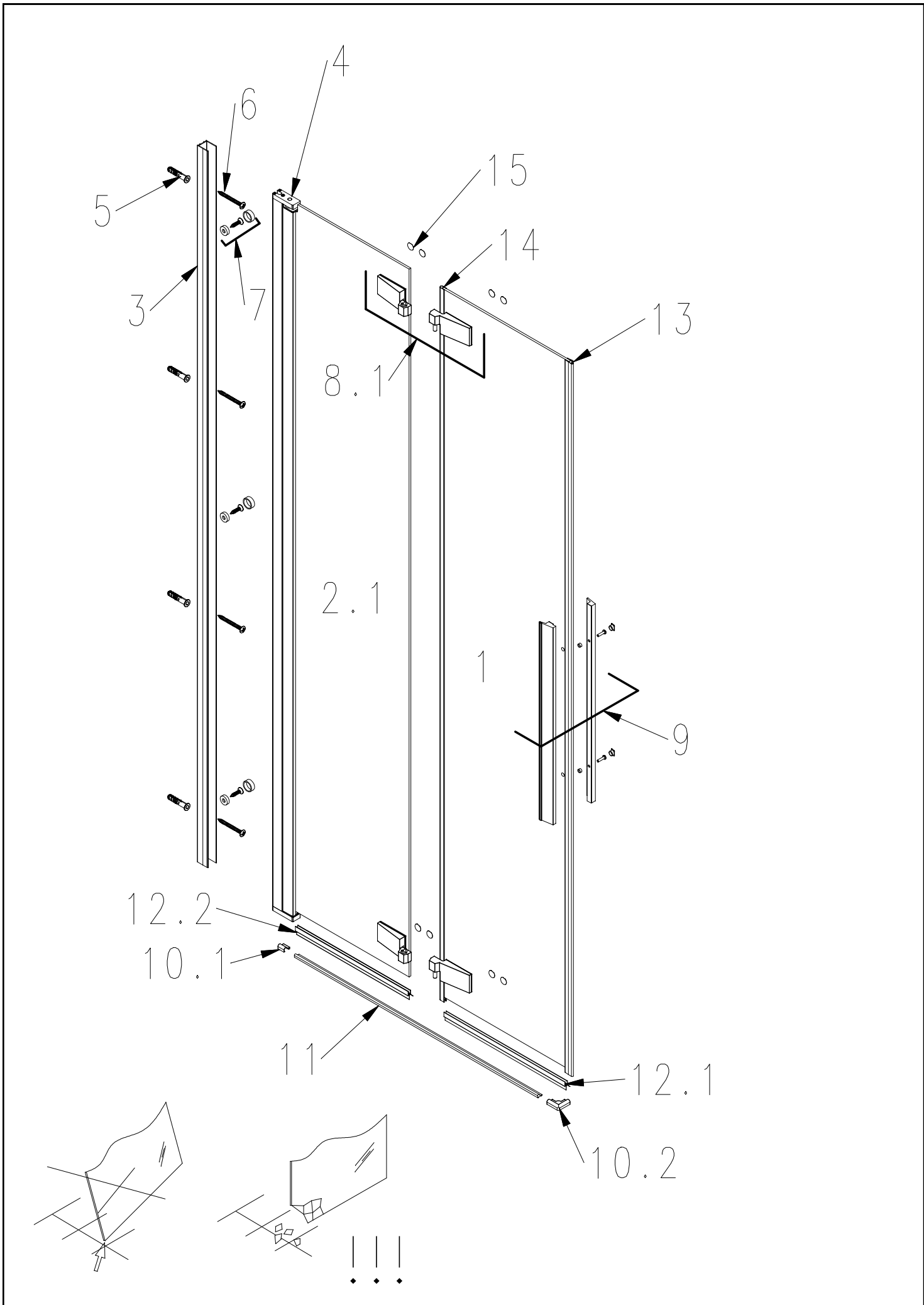
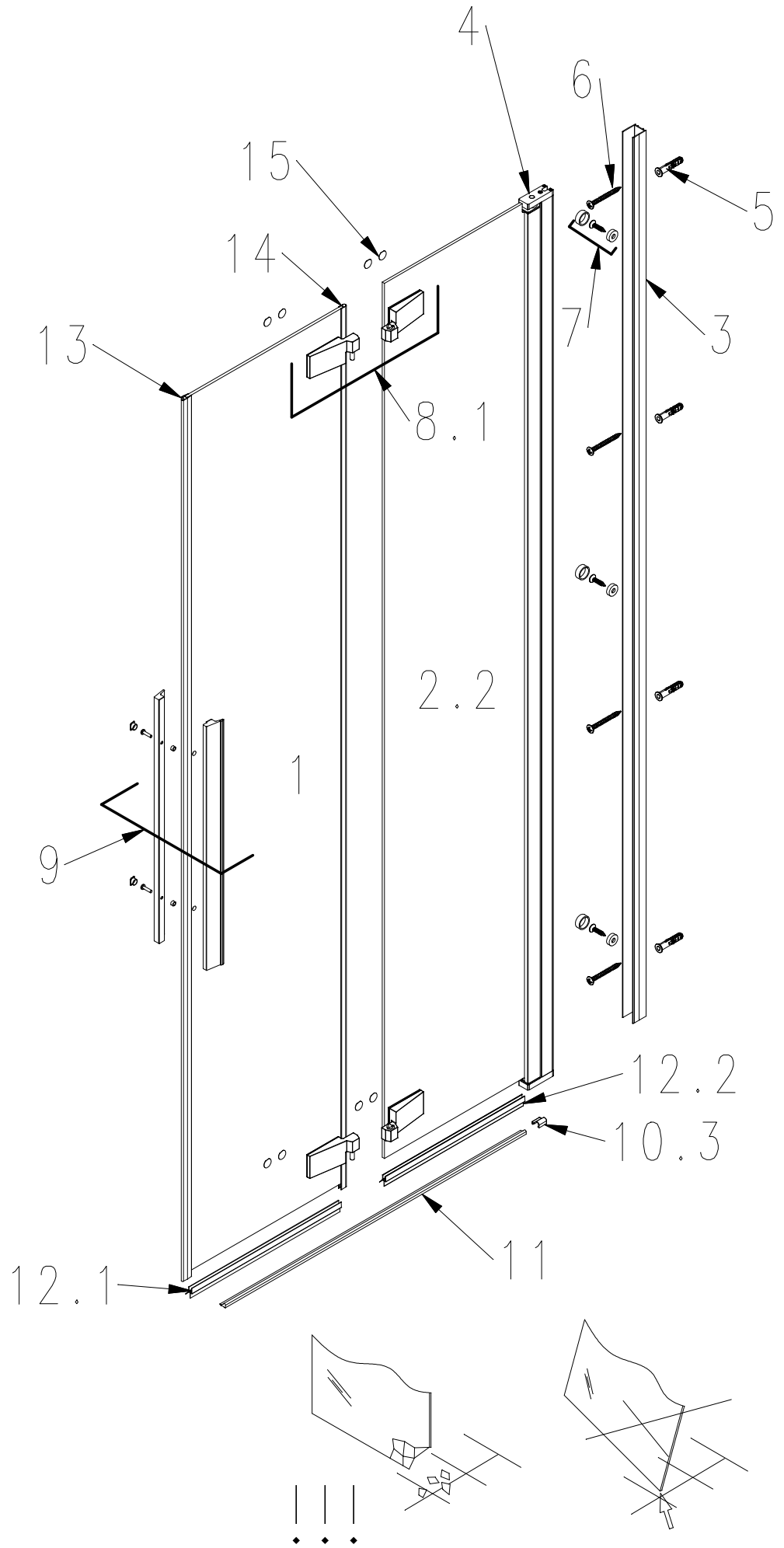


Polaris fold Q

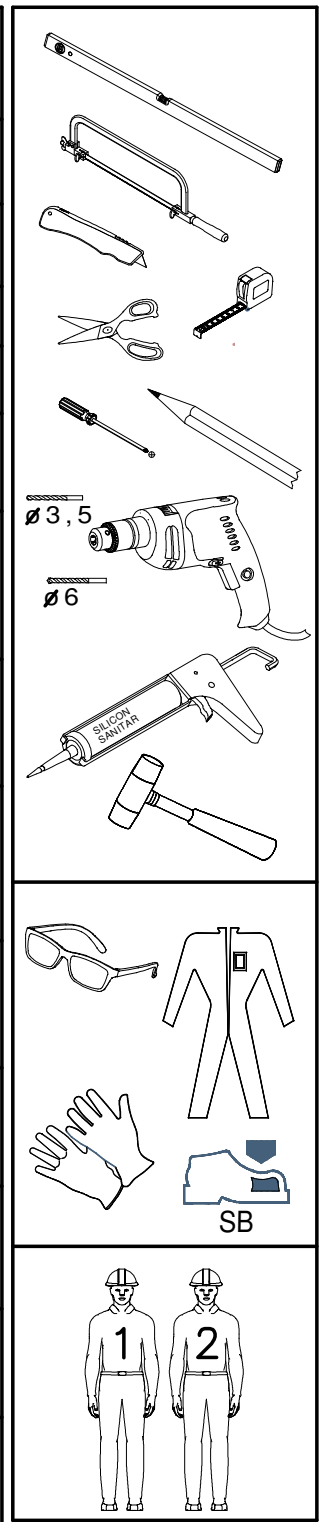


	L1, L2	X1, X2	↑	E
Q 80	780-790	769-779	2000	970
Q 90	880-890	869-879	2000	1100
Q 100	980-990	969-979	2000	1250

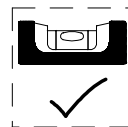
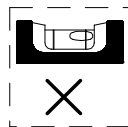
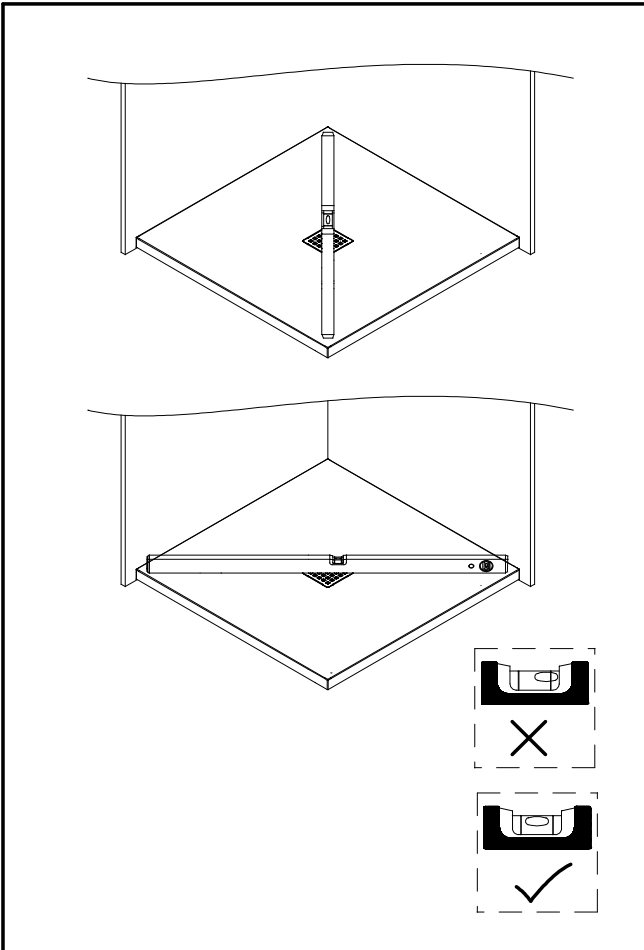
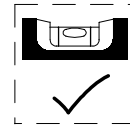
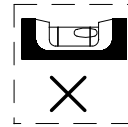
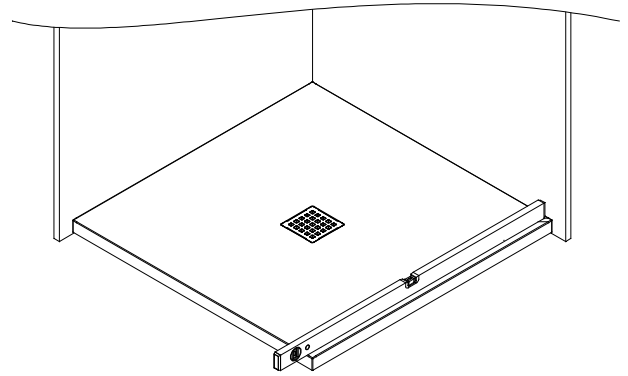
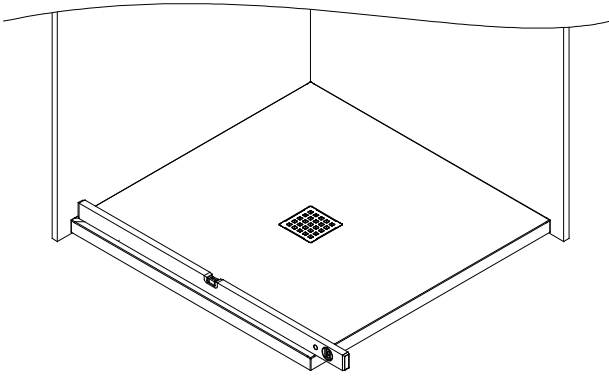




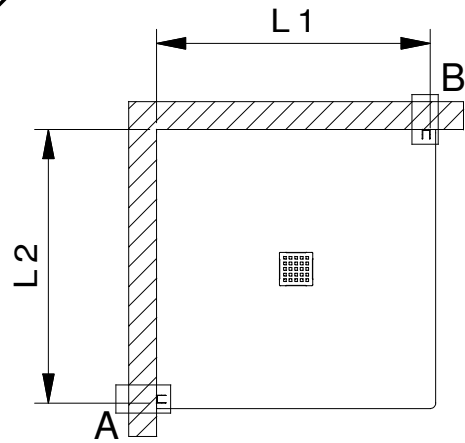
1 2.1 2.2		2 1 1
3.		2
4.		2
5.		8
6.		8
7.		6
8.1 8.2		2 2
9.		2
10.1 10.2 10.3		1 1 1
11.		2
12.1 12.2		2 2
13.		1+1
14.		2
15.		16
16.		2+2



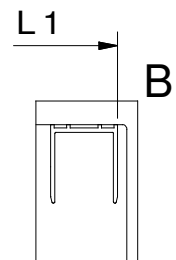
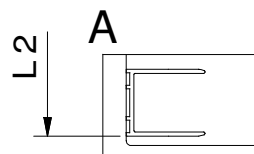
1



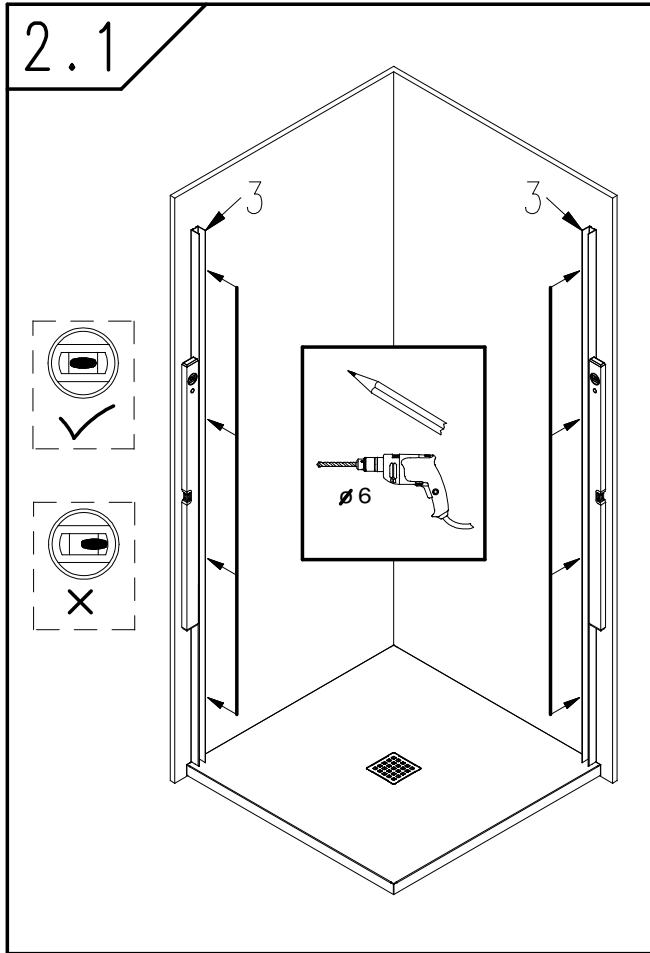
2



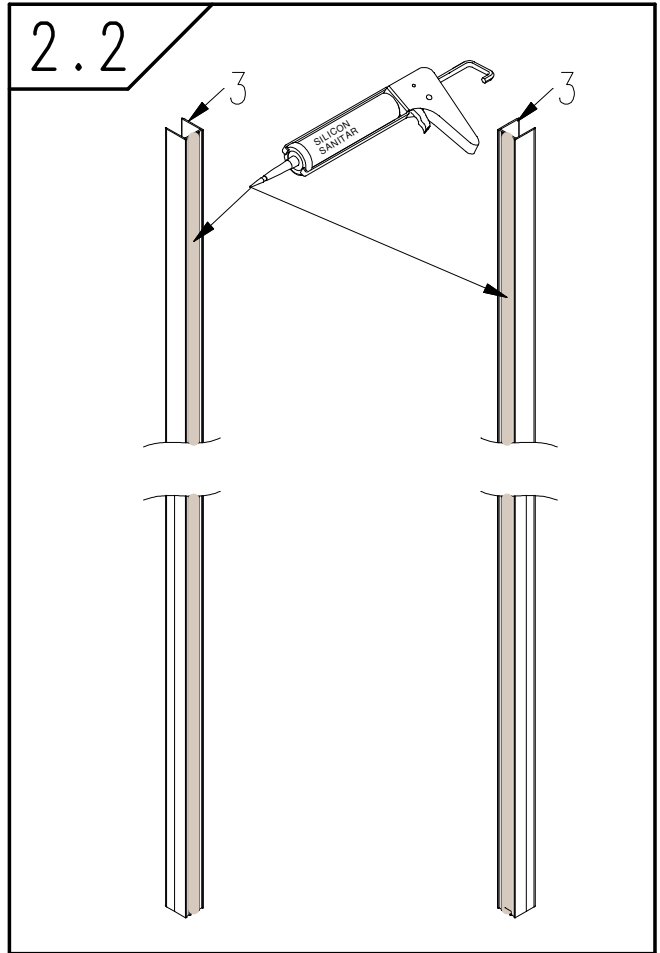
	L1, L2
Q 80	780-790
Q 90	880-890
Q 100	980-990



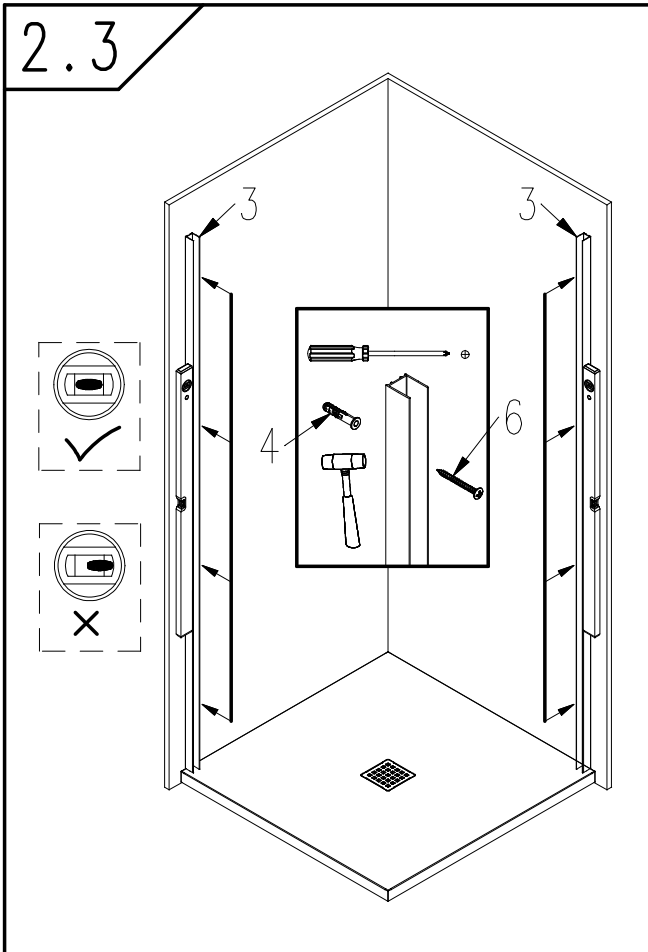
2.1



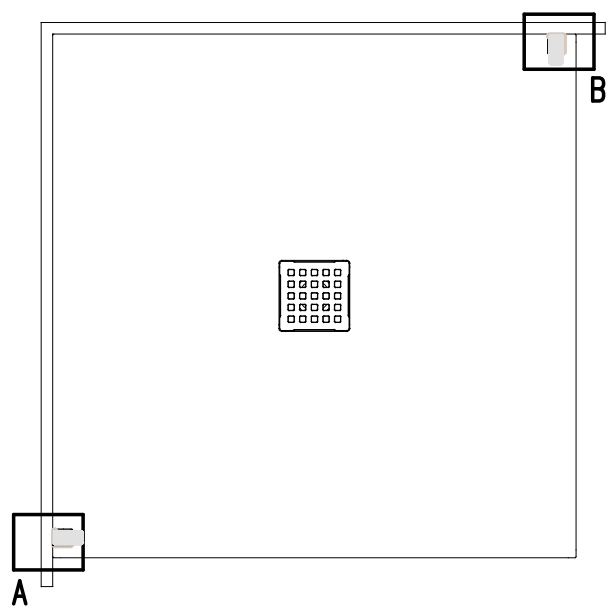
2.2



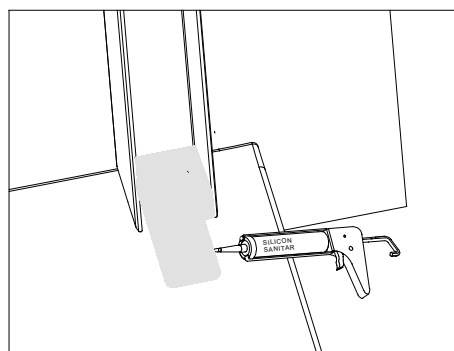
2.3



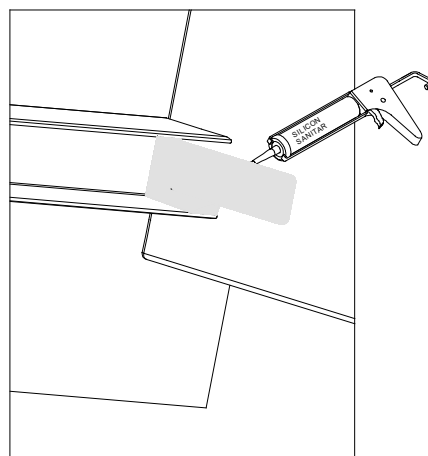
3



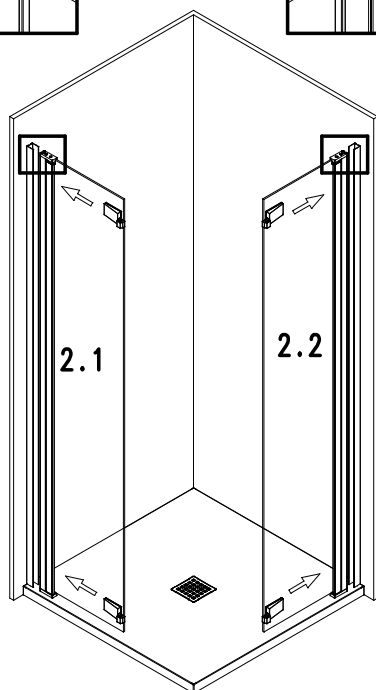
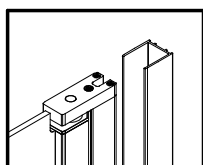
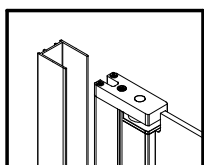
B



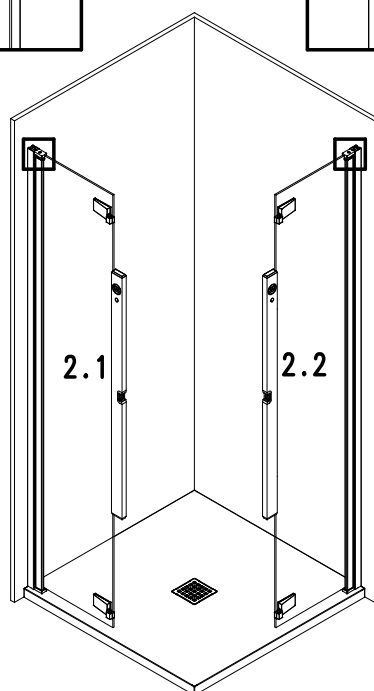
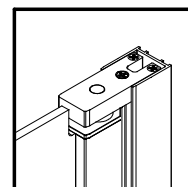
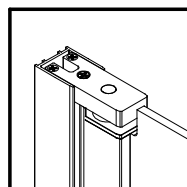
A

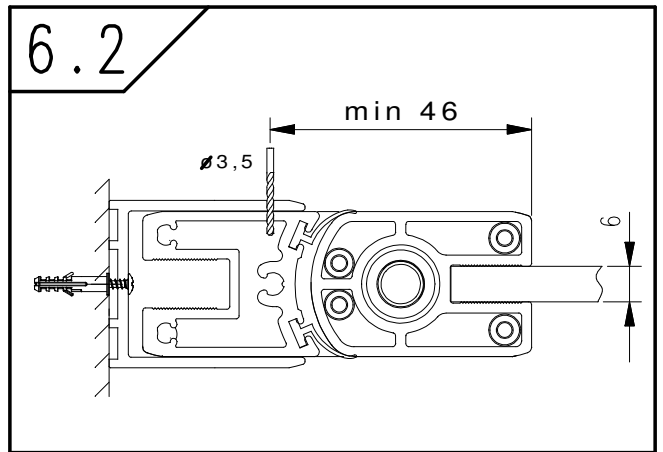
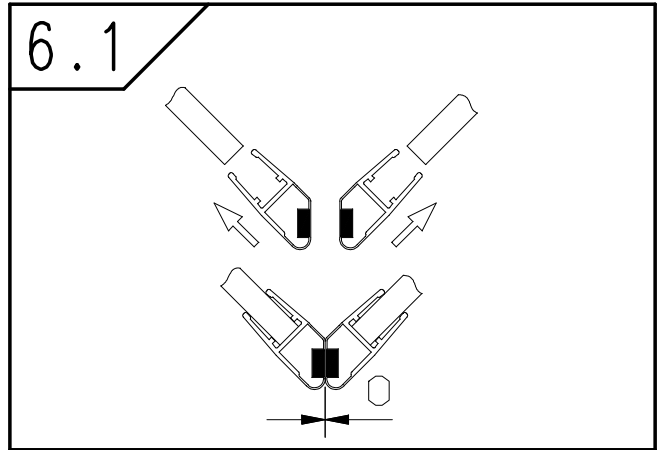
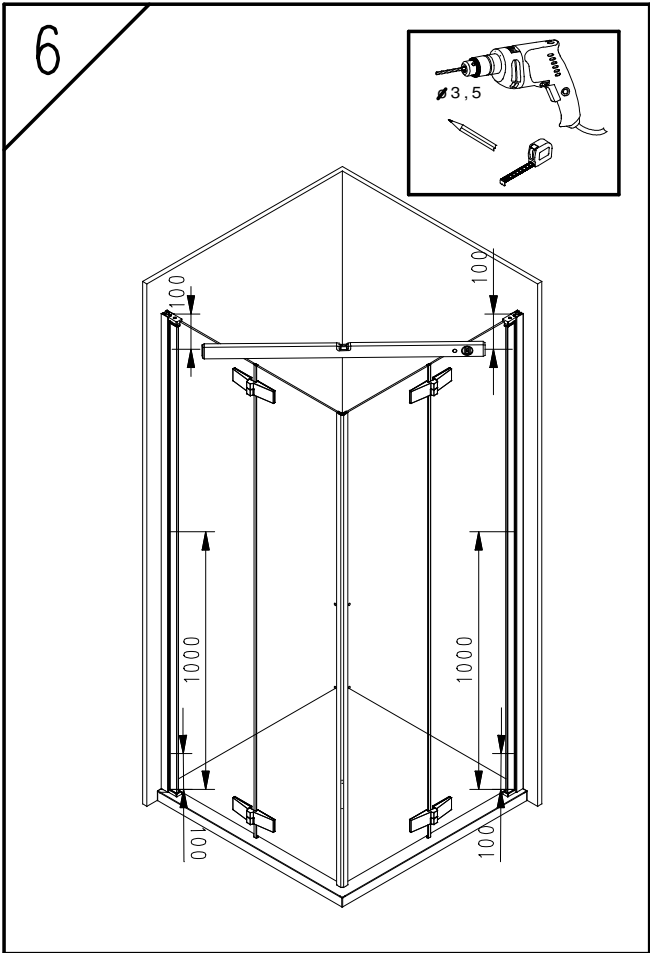
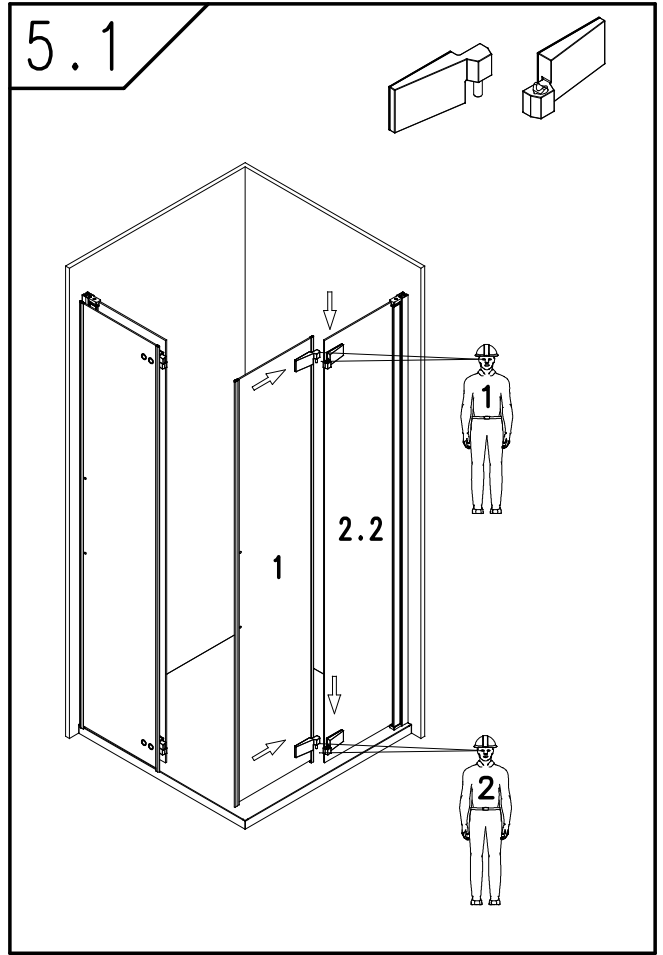
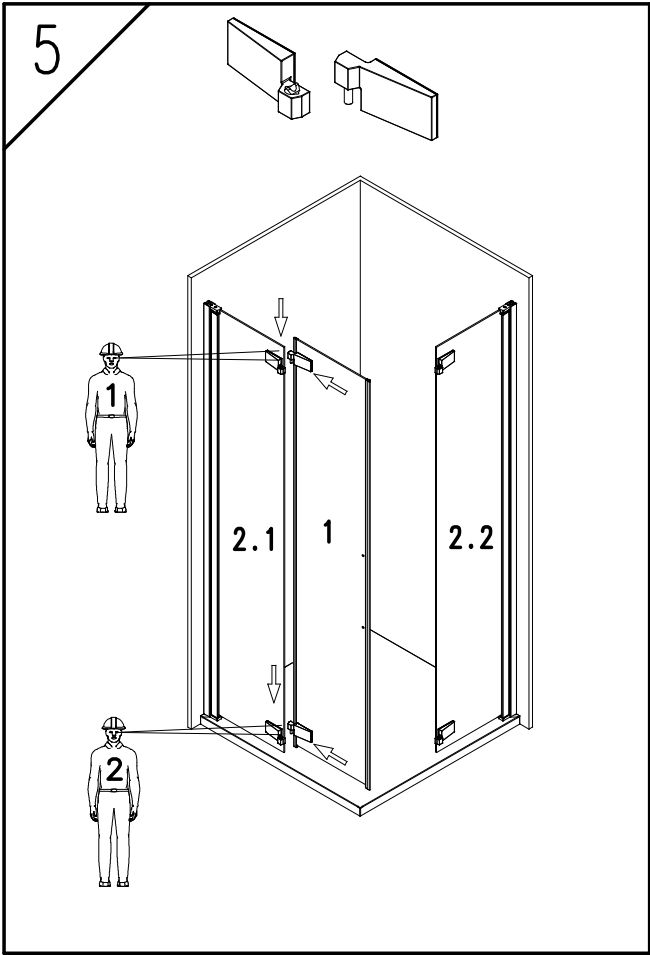


4.1

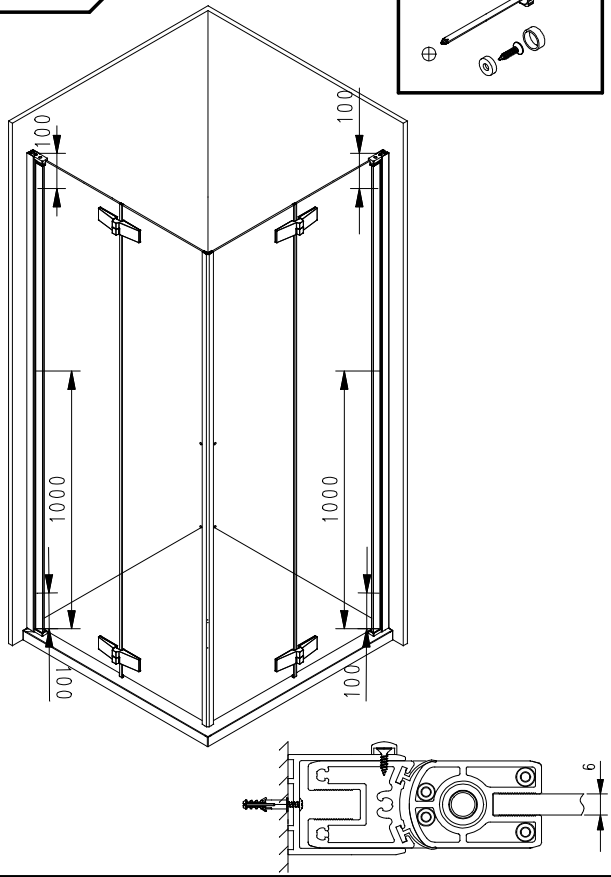
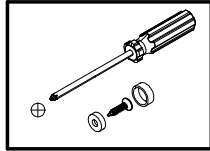


4.2

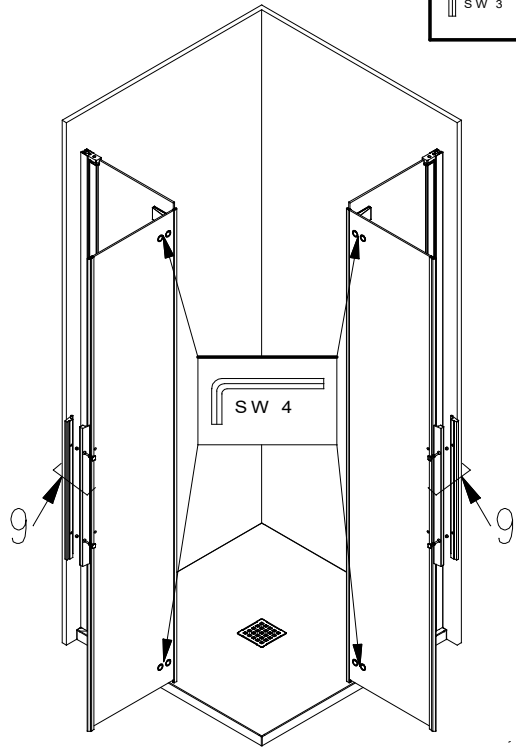
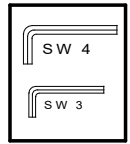




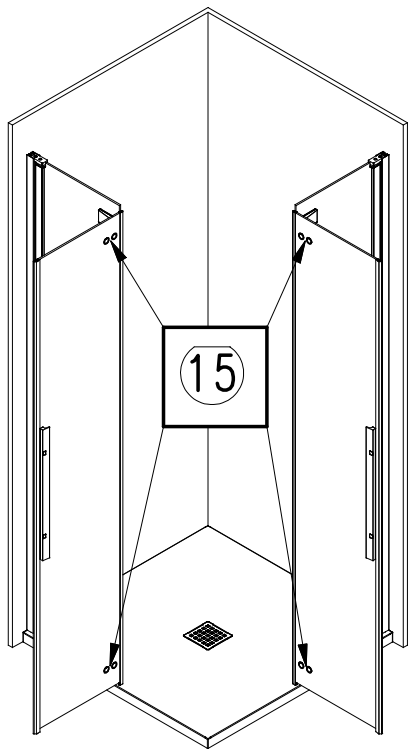
6.3



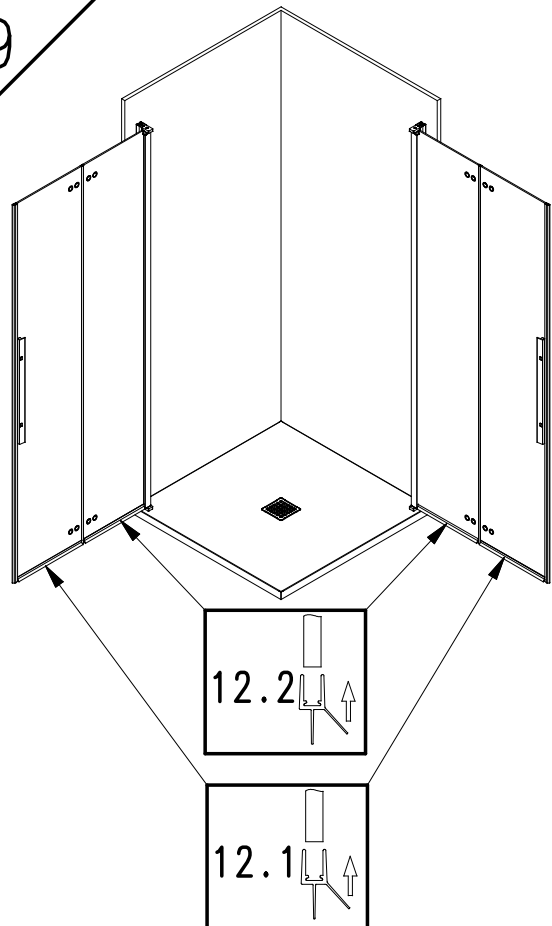
7

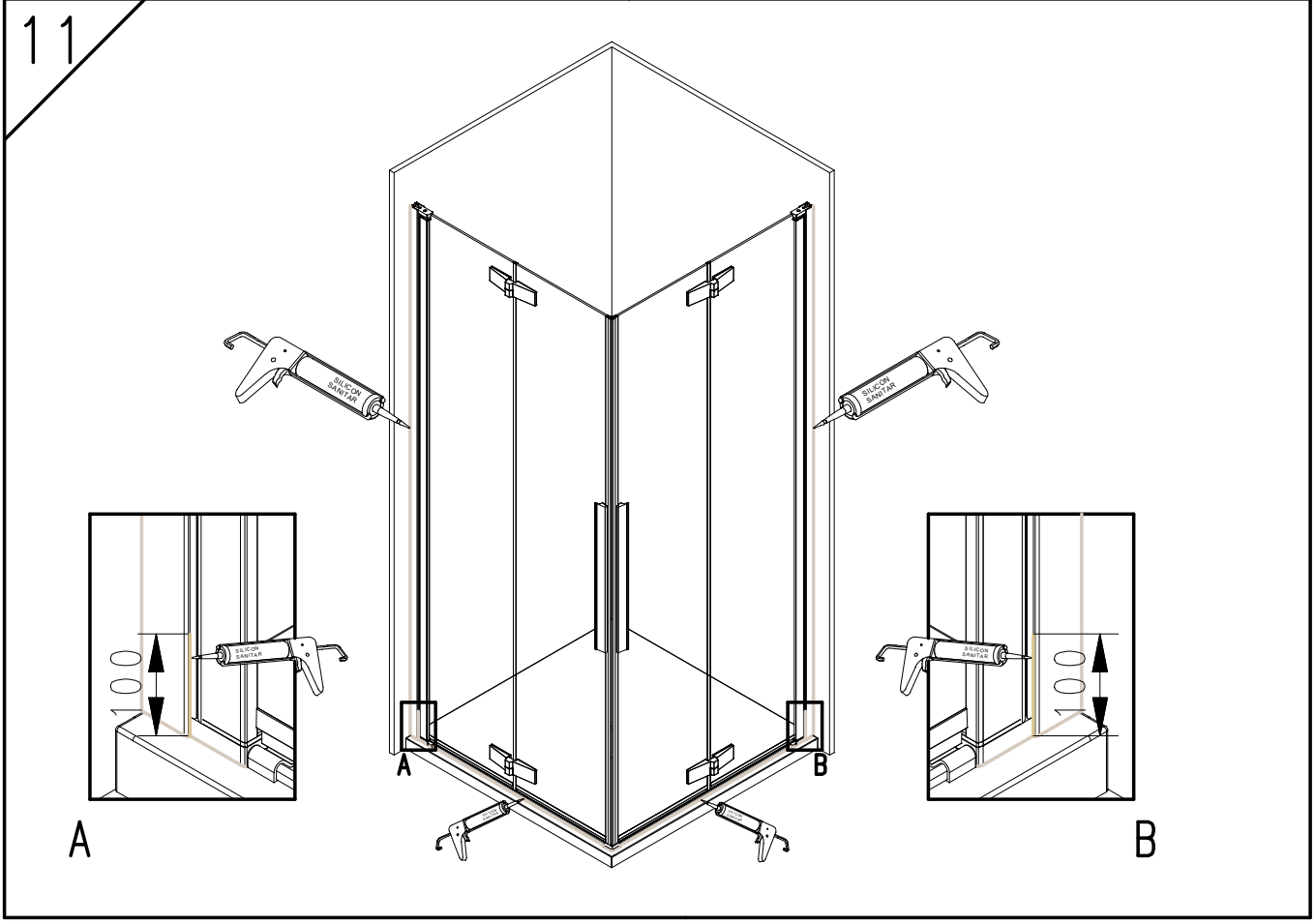
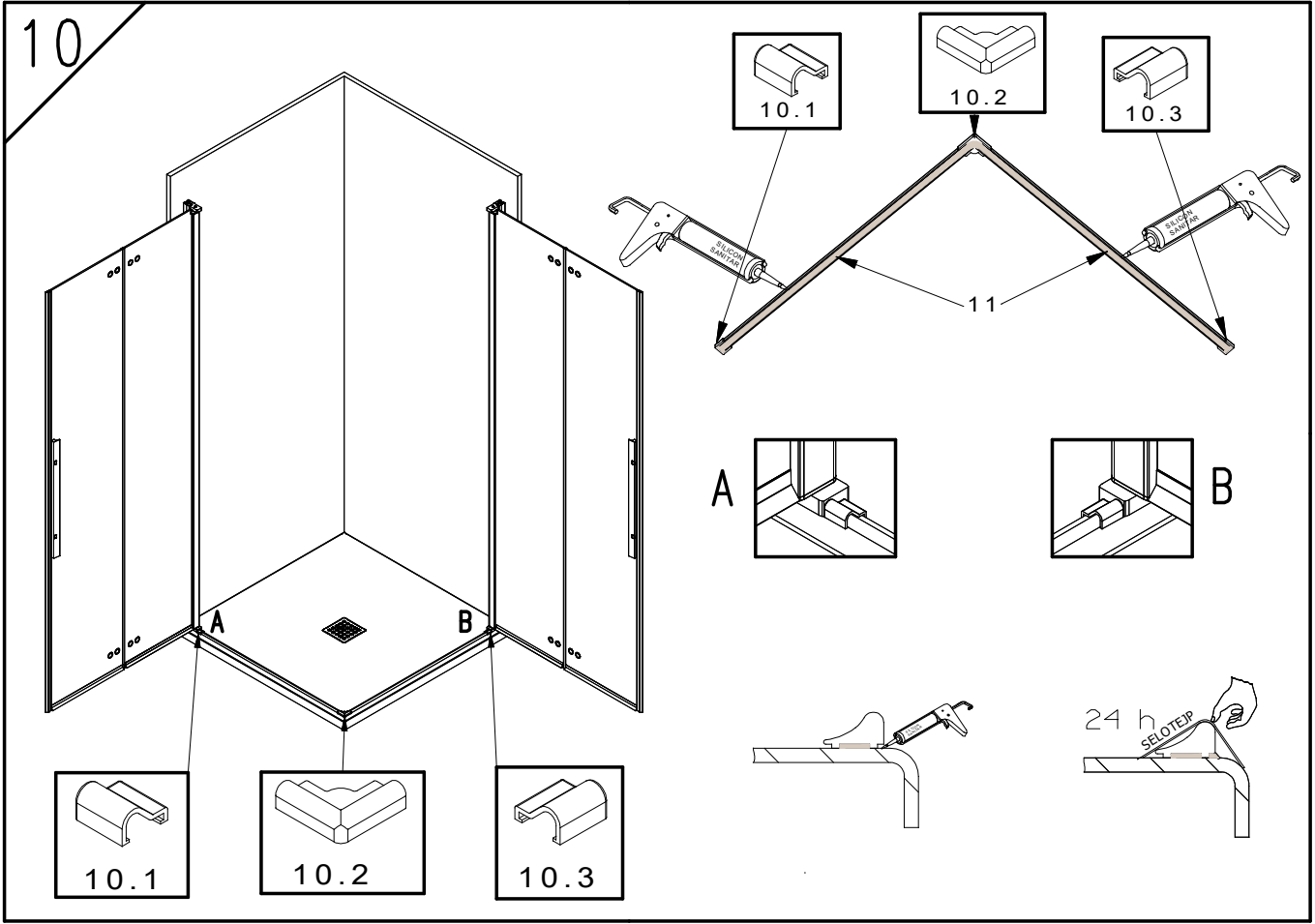


8

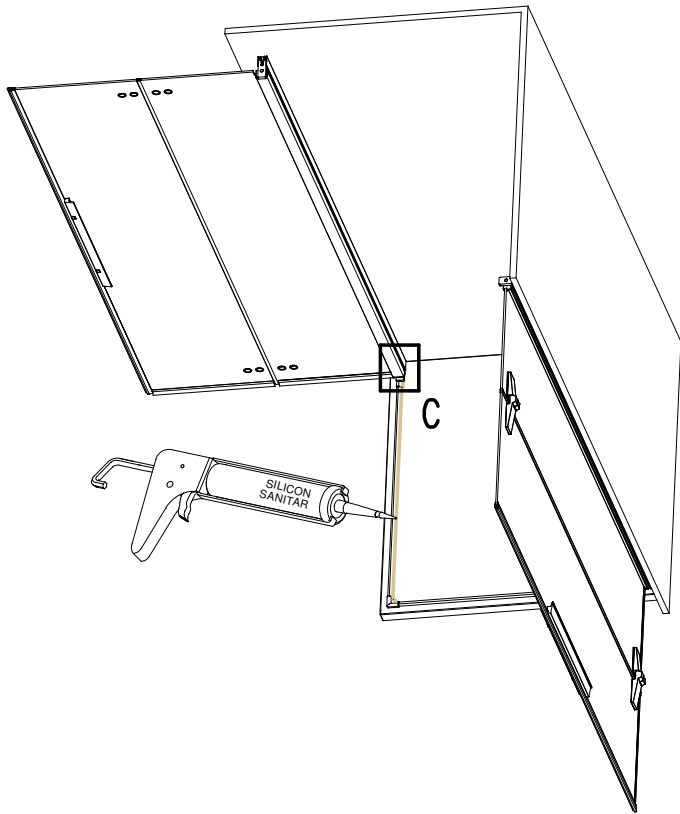


9

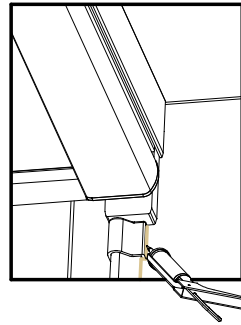




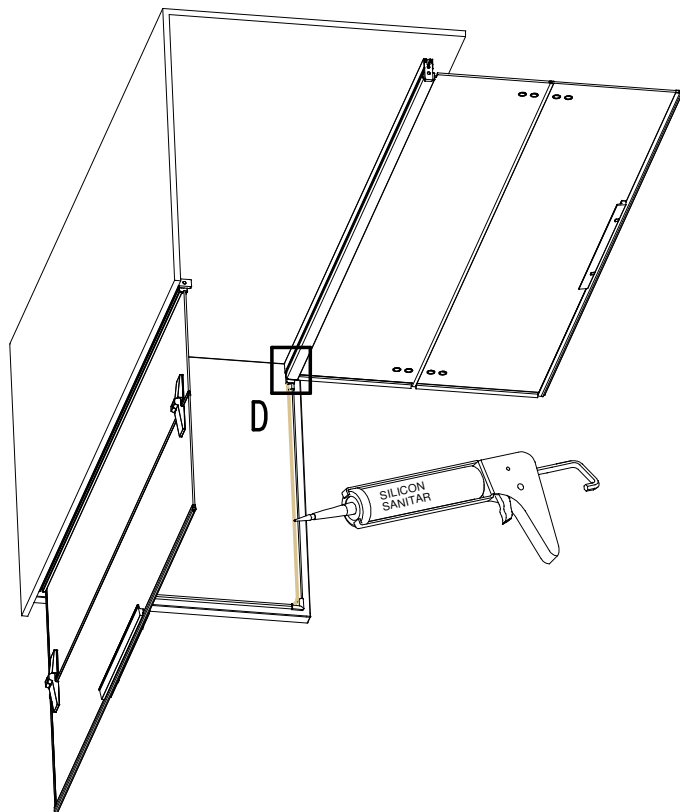
12



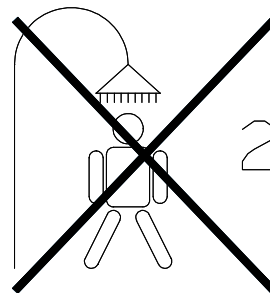
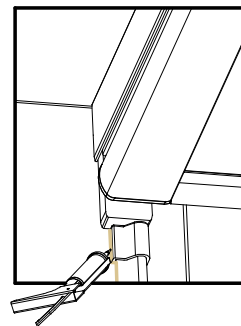
C



13



D



24 h