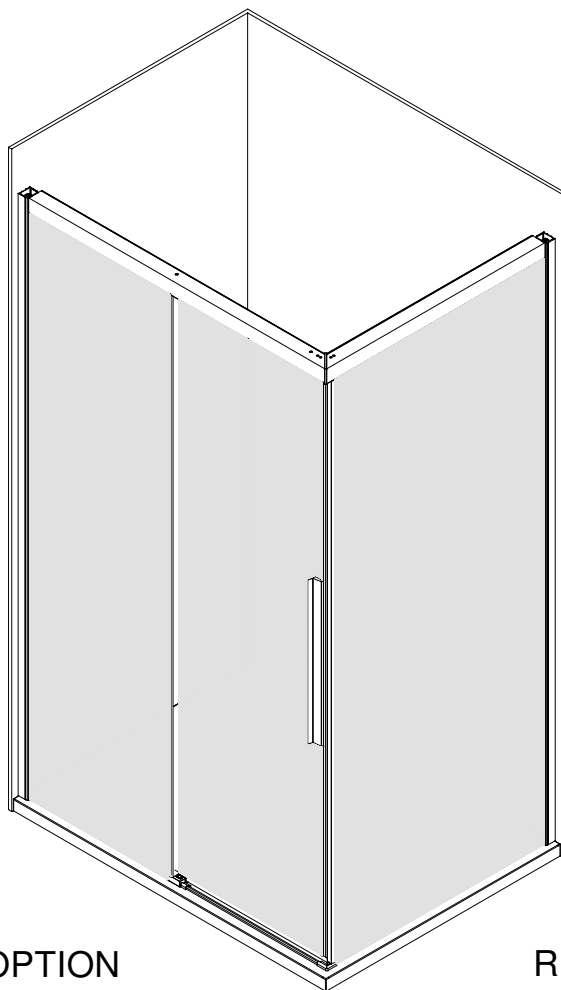
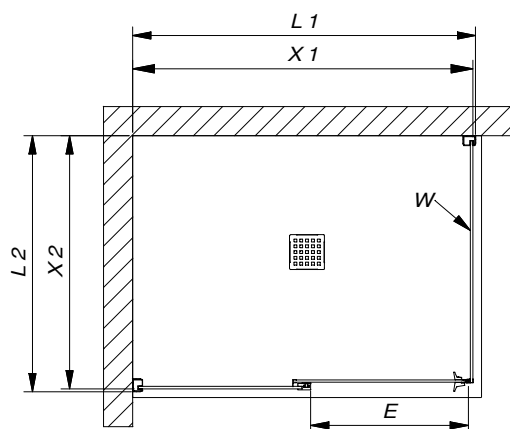


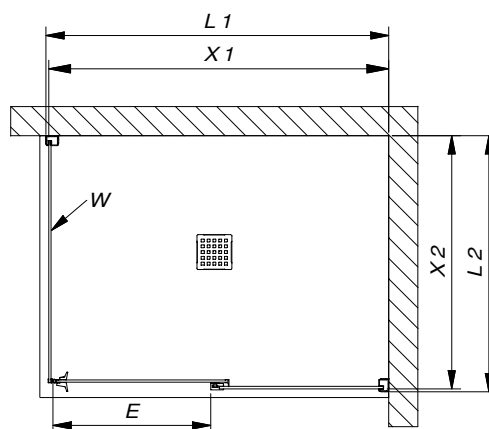
# Libra DW



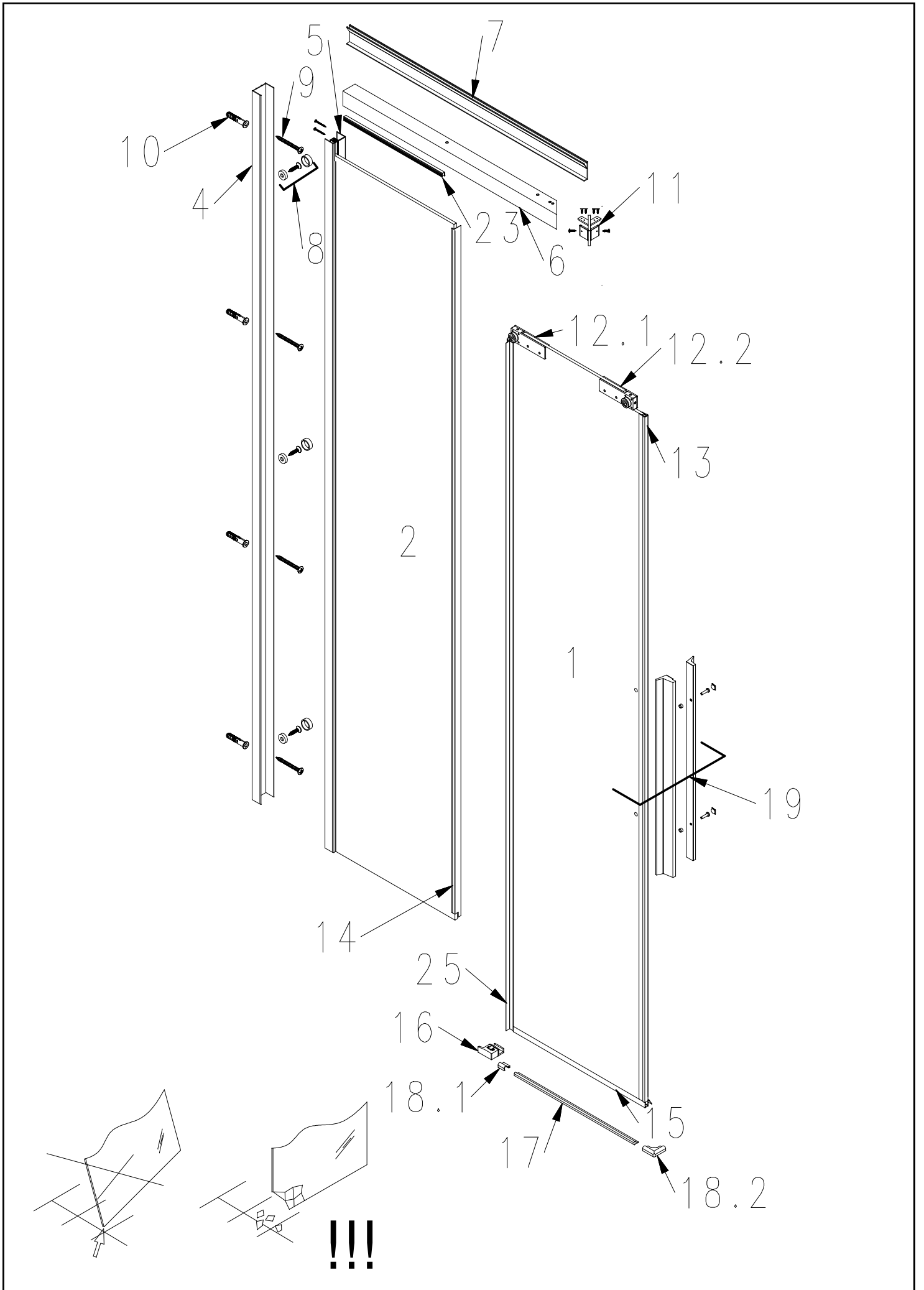
LEFT OPTION

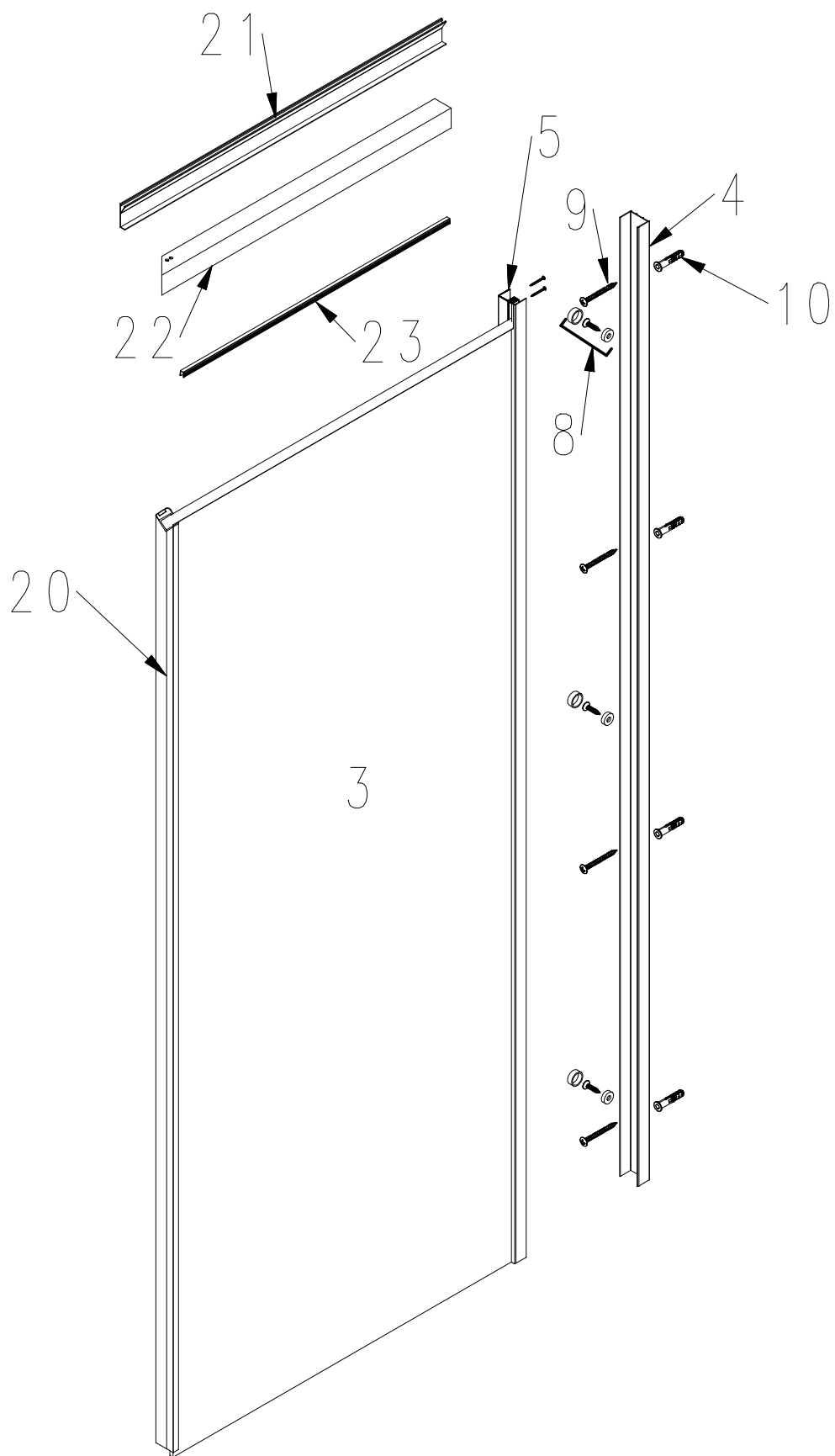


RIGHT OPTION

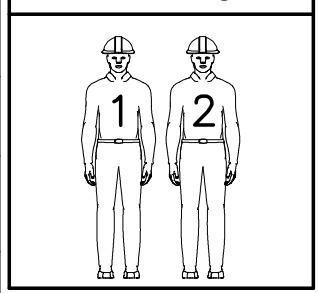
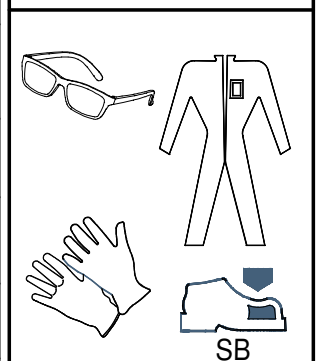
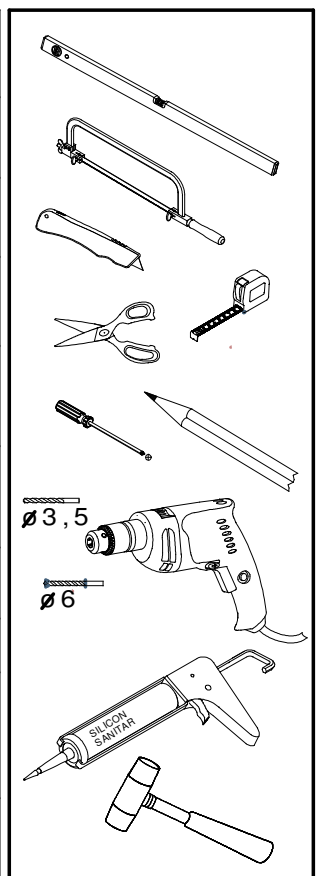


	L 1	L 2	X 1	X 2	T	E
DW 100x80	980-990	780-790	970-980	770-780	2000	410
DW 100x90	980-990	880-890	970-980	870-880	2000	410
DW 100x100	980-990	980-990	970-980	970-980	2000	410
DW 120x80	1180-1190	780-790	1170-1180	770-780	2000	510
DW 120x90	1180-1190	880-890	1170-1180	870-880	2000	510
DW 120x100	1180-1190	980-990	1170-1180	970-980	2000	510
DW 140x80	1380-1390	780-790	1370-1380	770-780	2000	610
DW 140x90	1380-1390	880-890	1370-1380	870-880	2000	610

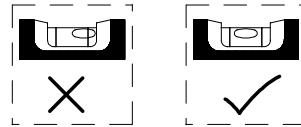
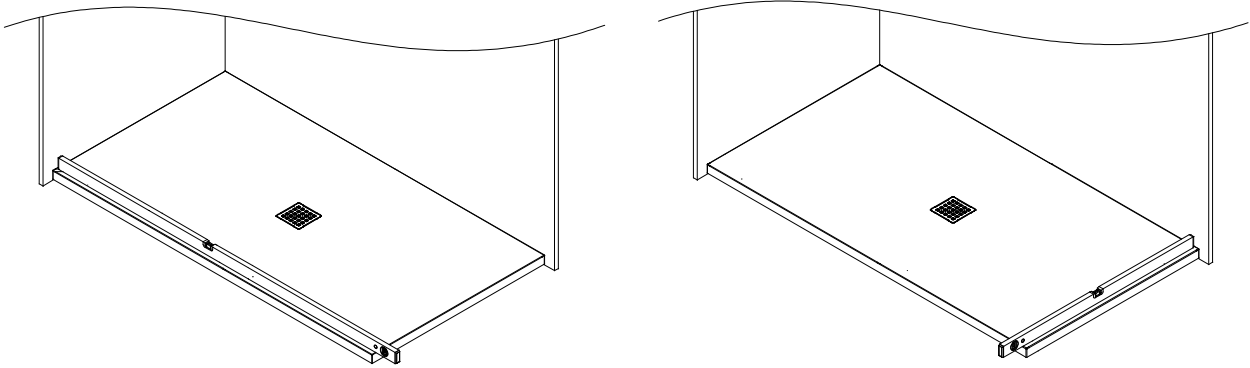




1. 2. 3.		1 1 1
4.		2
5.		2
6.		1+2
7.		1
8.		6
9.		8
10.		8
11.		1
12.1 12.2	12.1  12.2	1 1
13.		1
14.		2
15.		1
16.		1
17.		1
18.1 18.2	18.1  18.2	1 1
19.		1
20.		1
21.		1
22.		1+2
23.		2
24.	1 mm  2 mm	2+2
25.		1

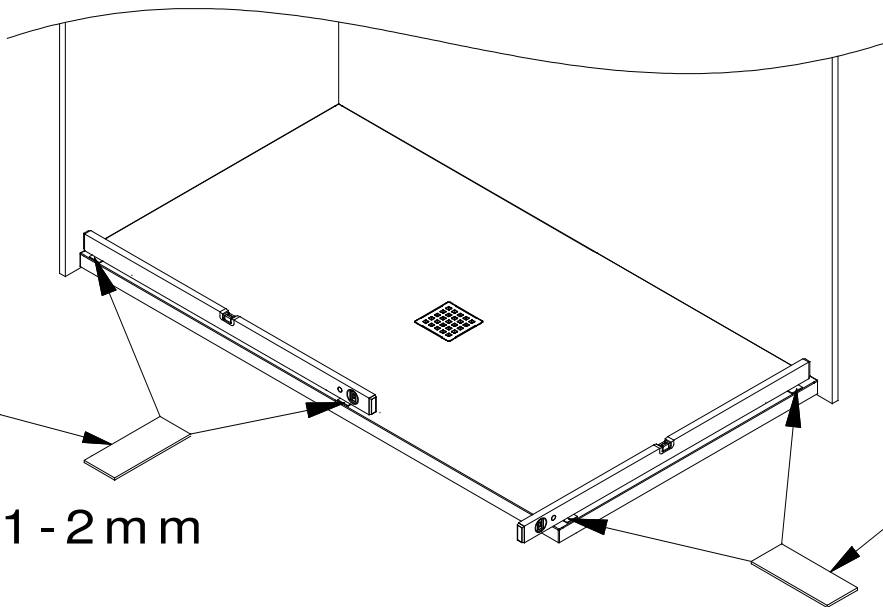


1



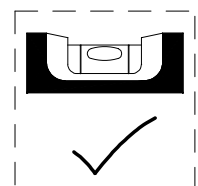
24

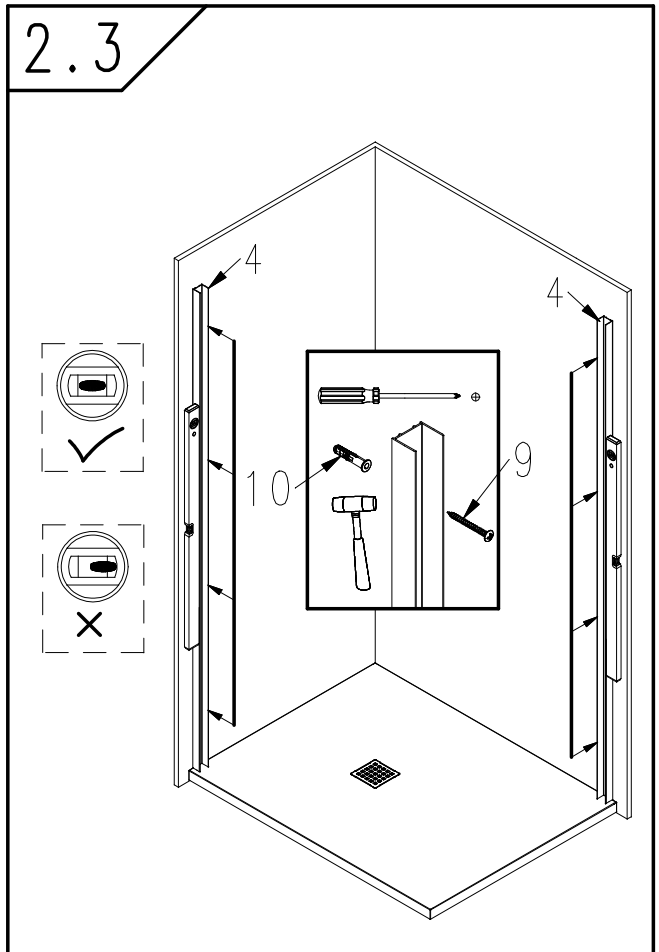
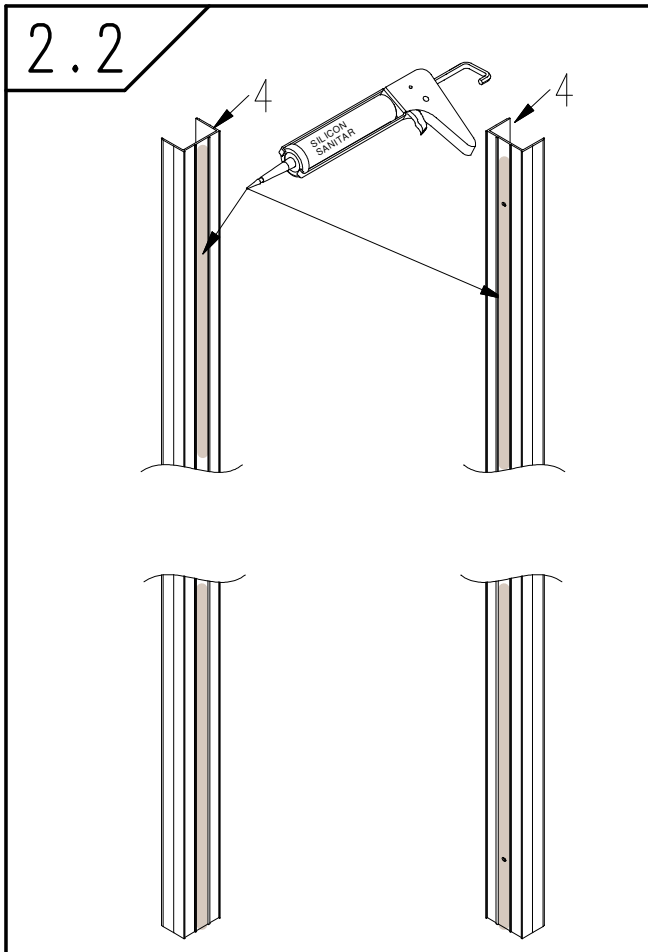
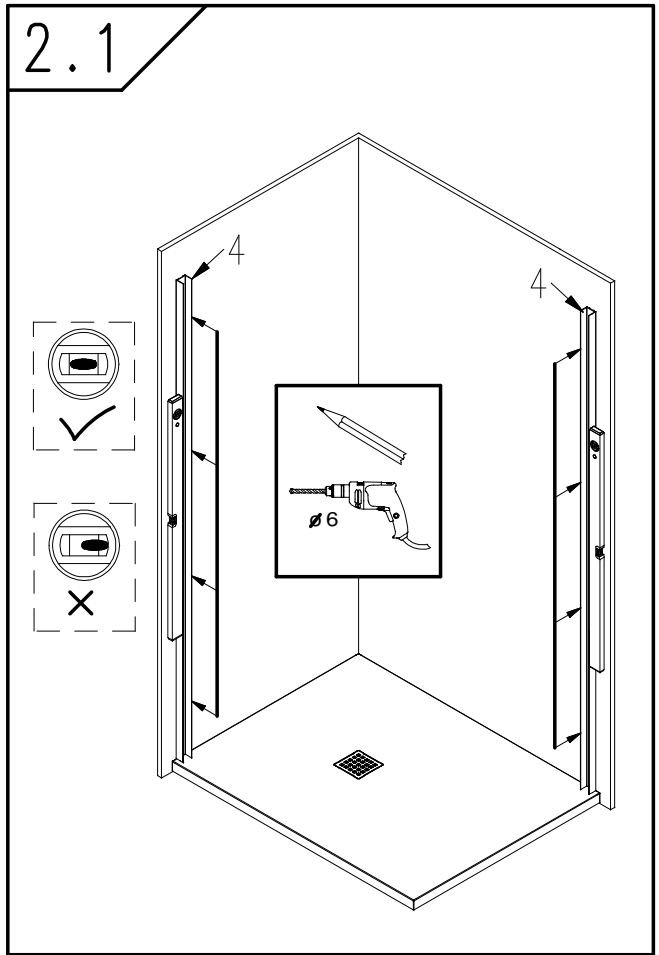
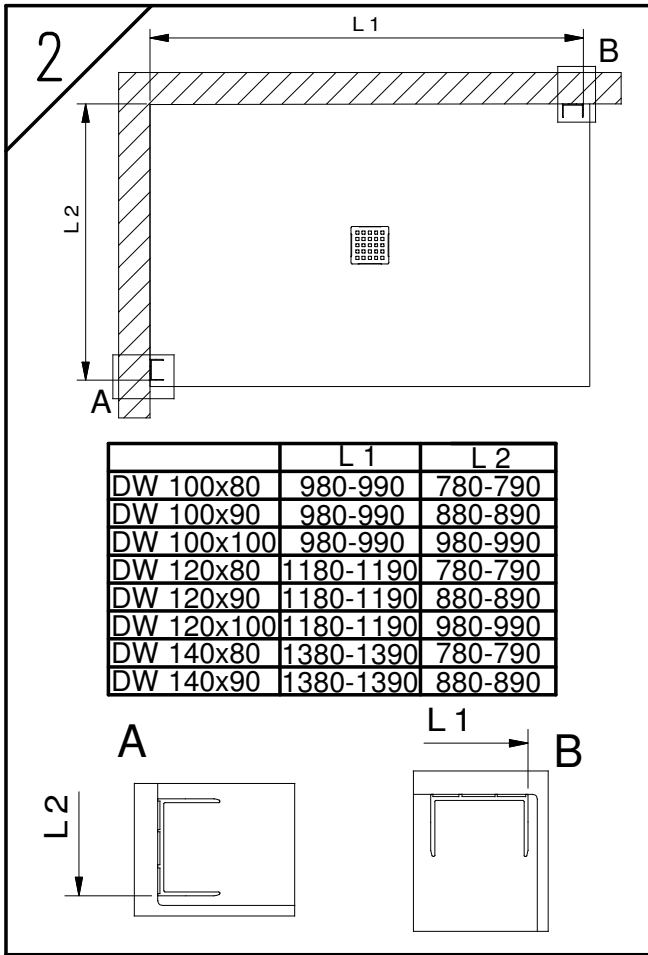
1-2mm



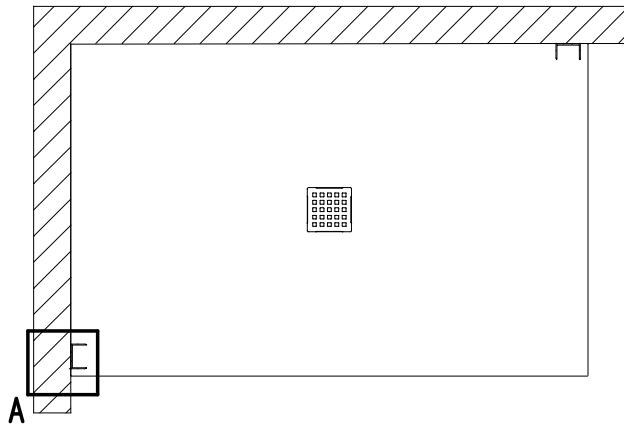
24

1-2mm

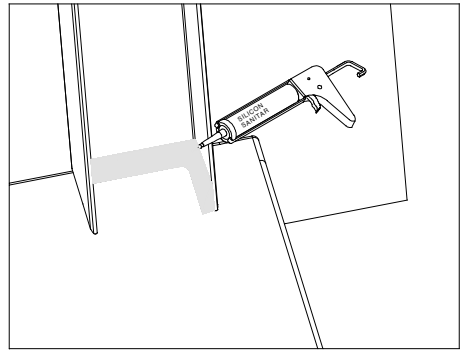




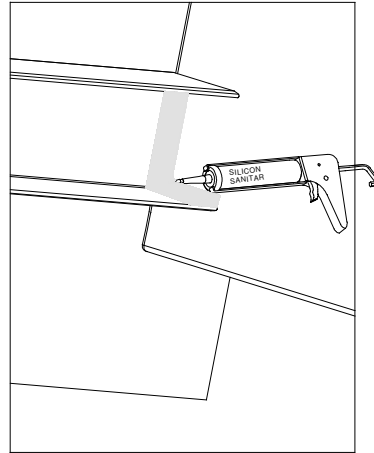
3



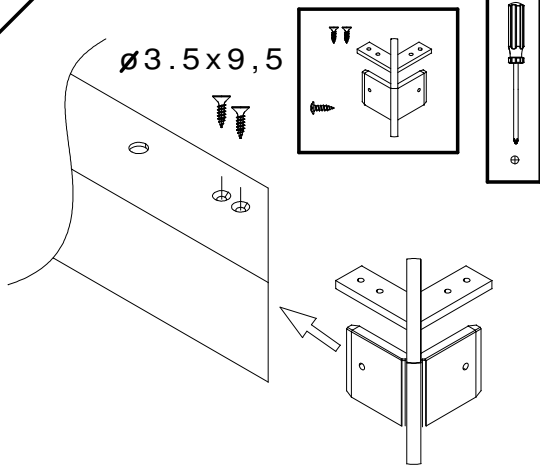
B



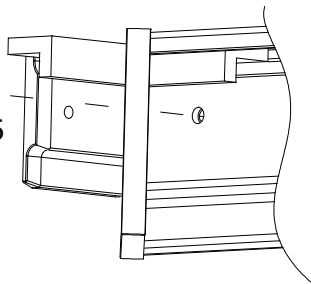
A



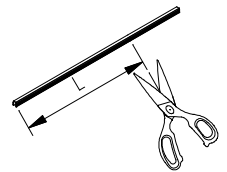
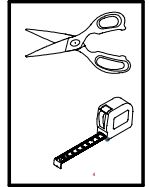
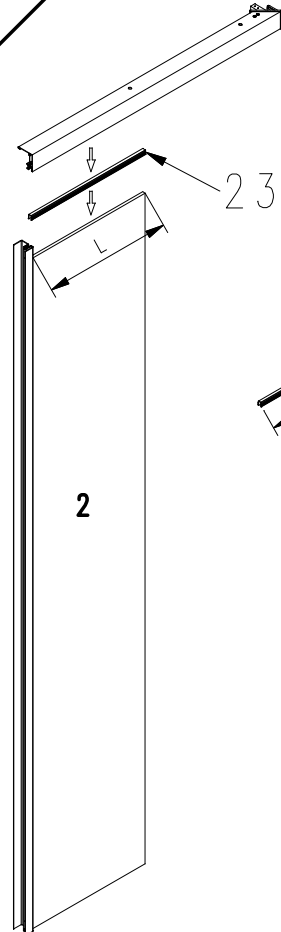
4



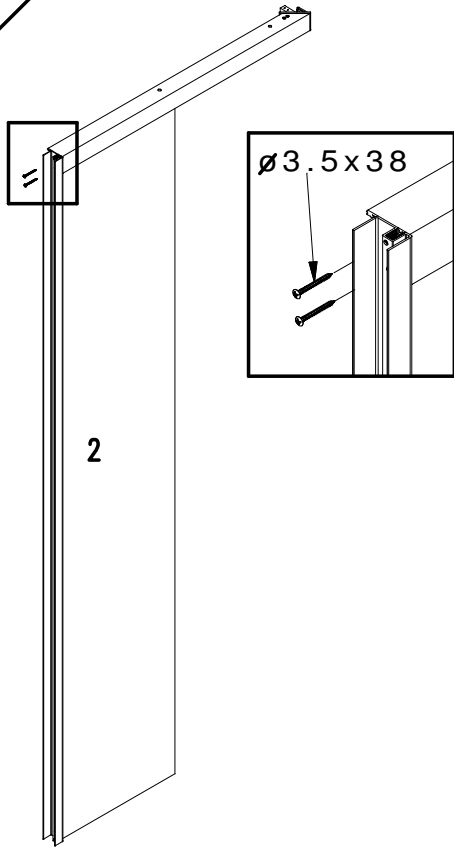
ø3.5x6,5



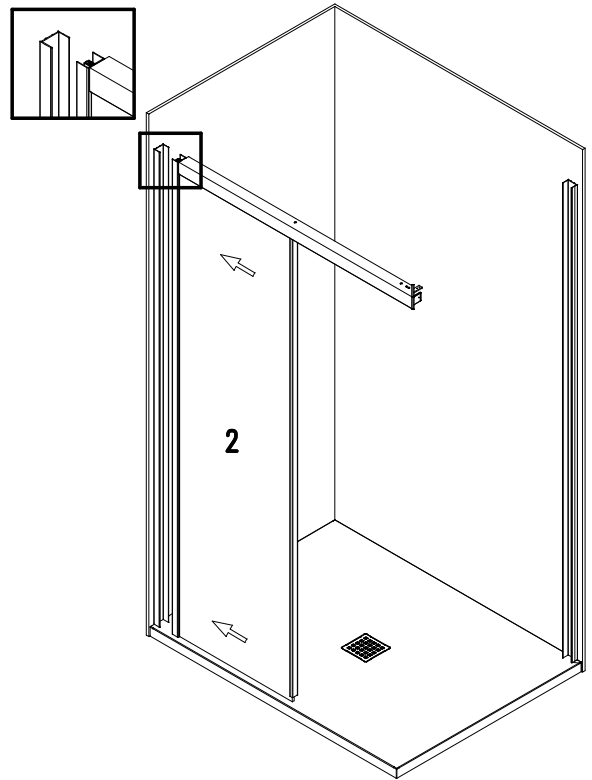
4.1



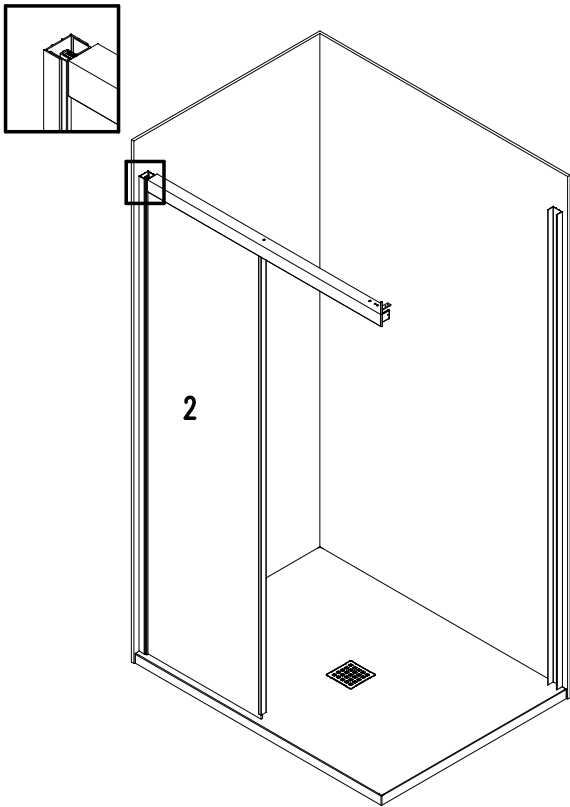
4.2



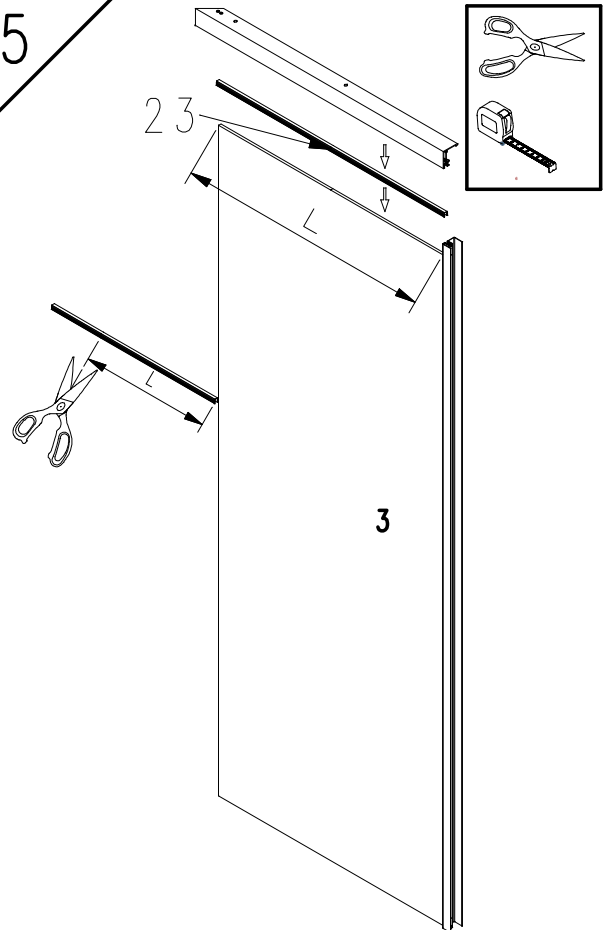
4.3



4.4

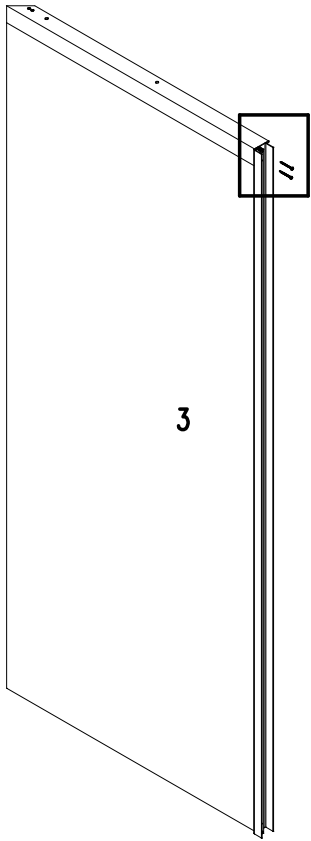
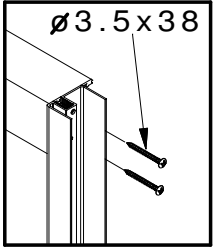


5

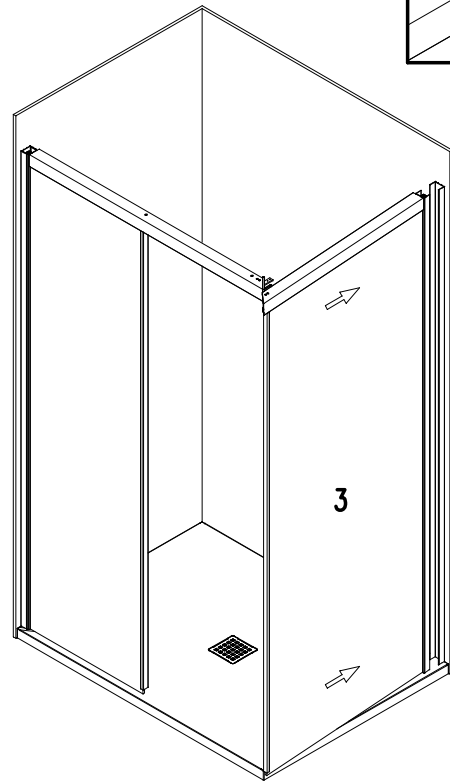
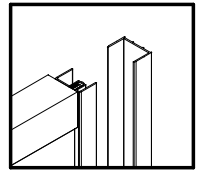




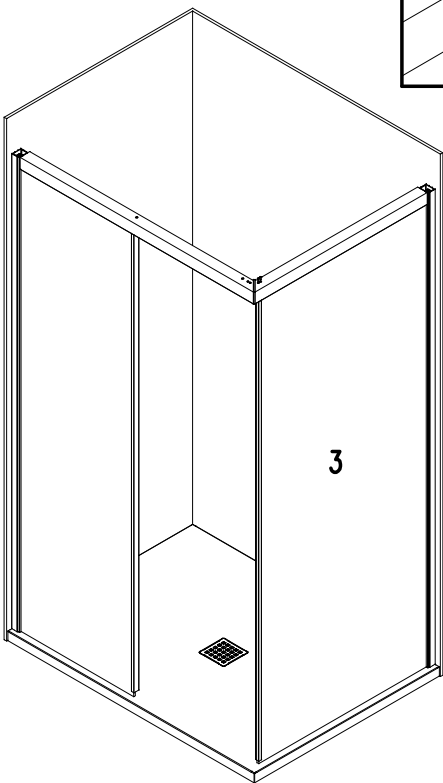
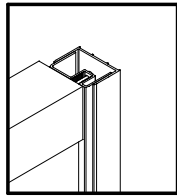
5.1



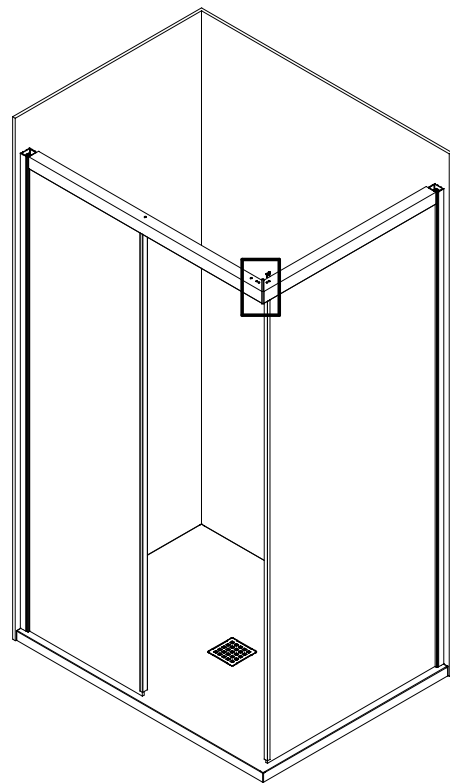
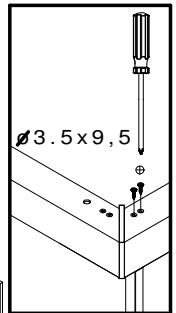
5.2

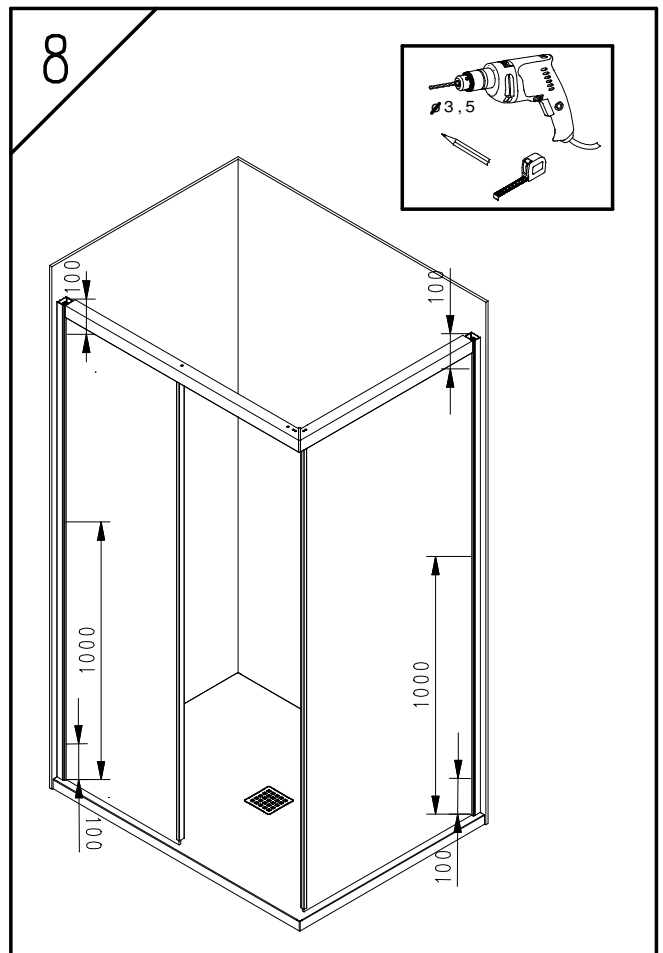
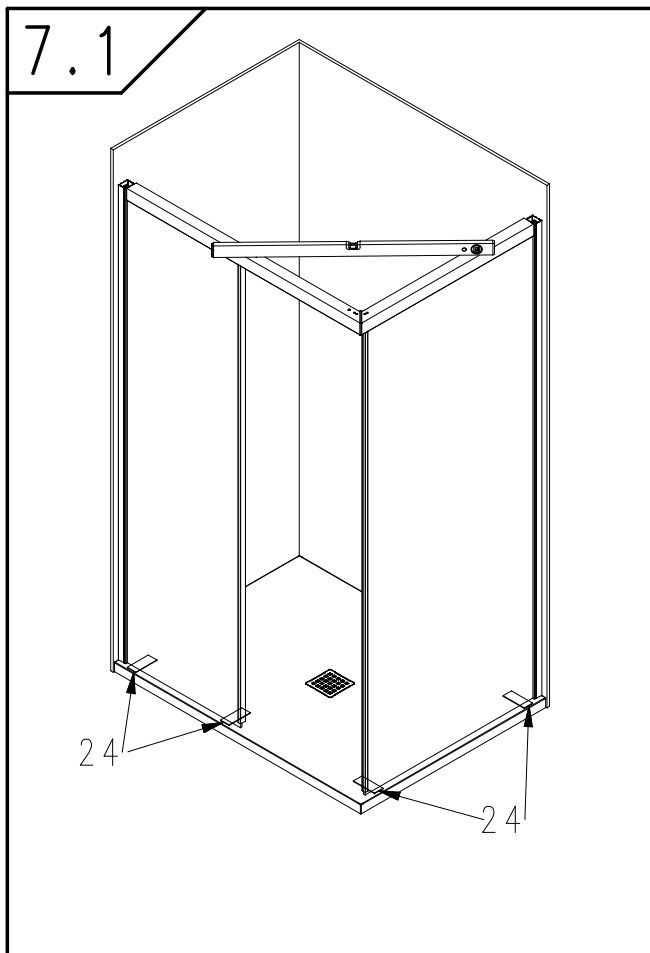
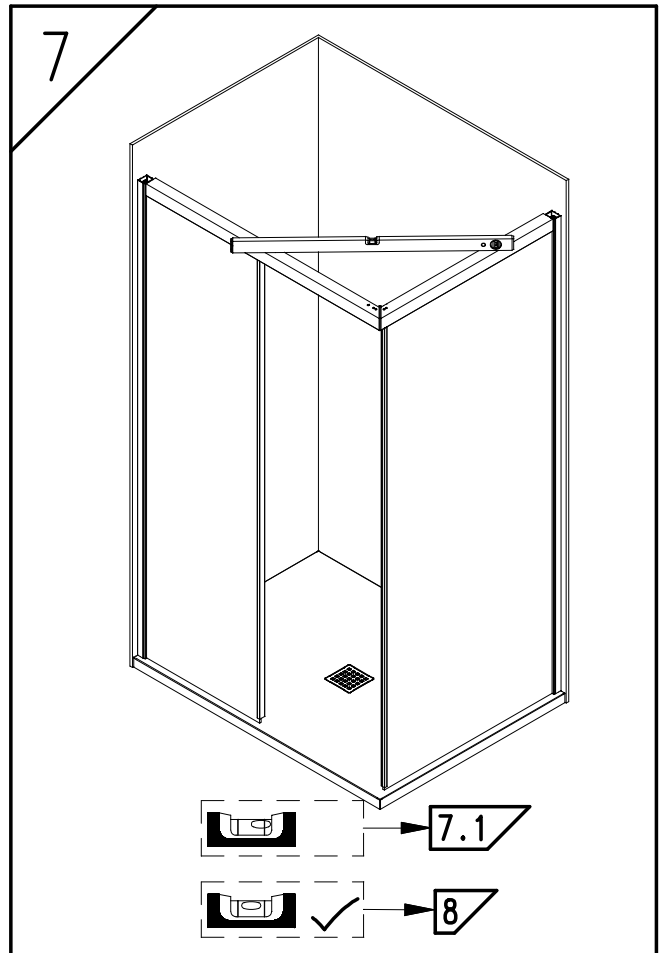
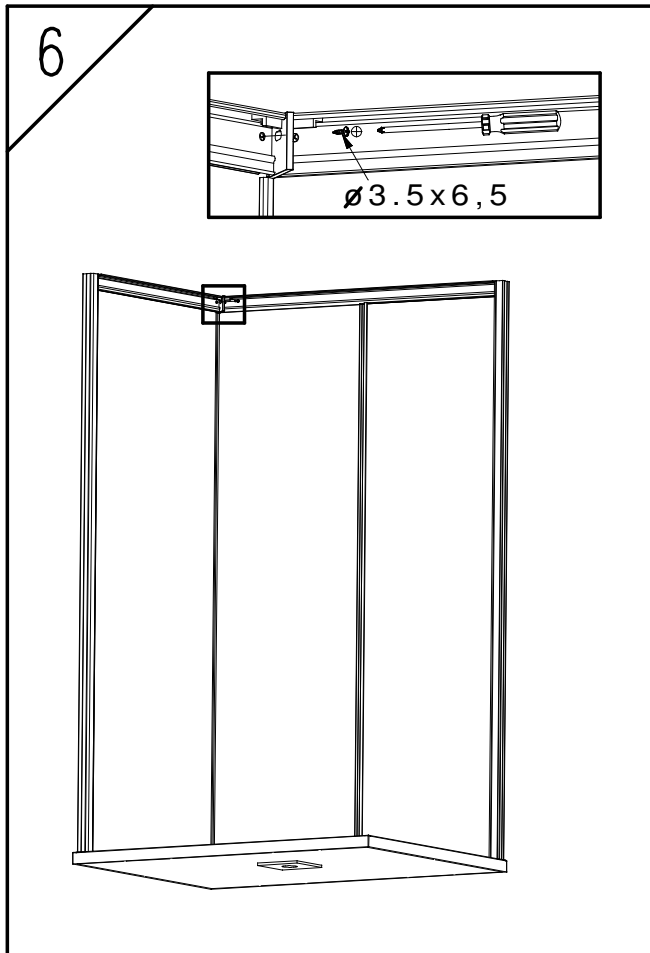


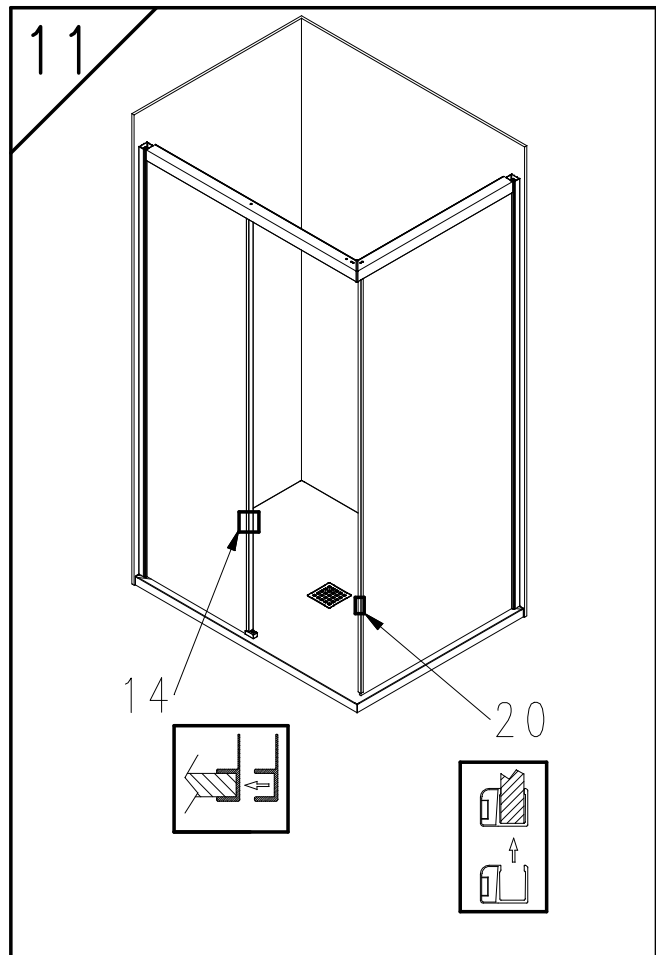
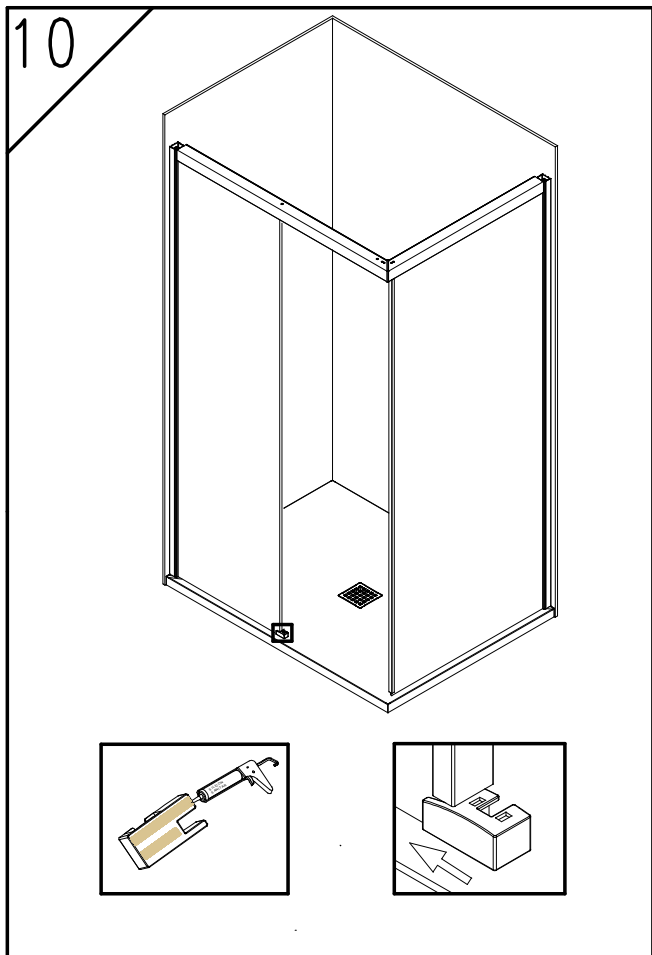
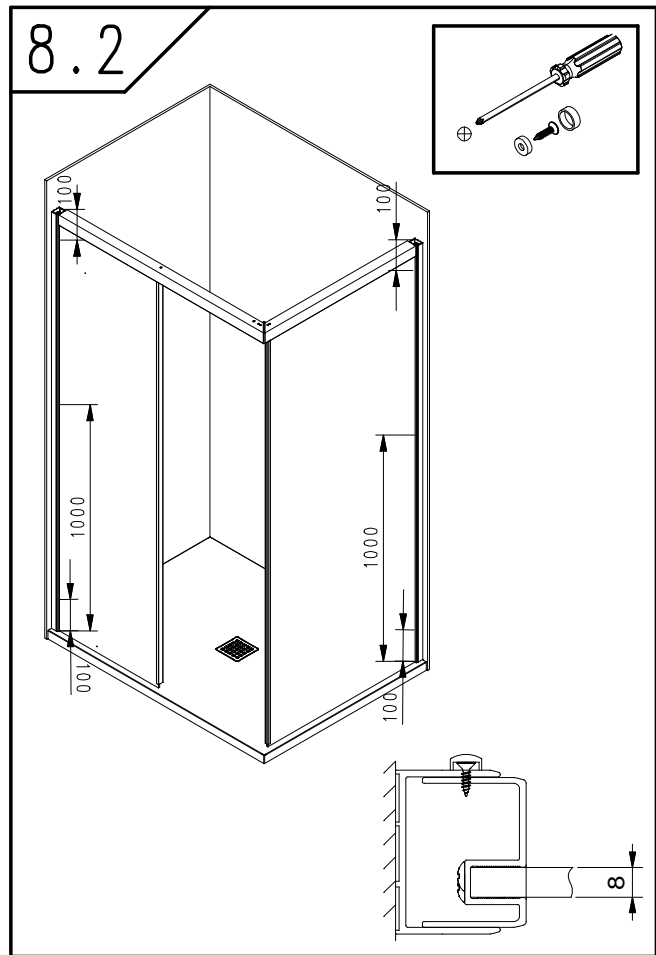
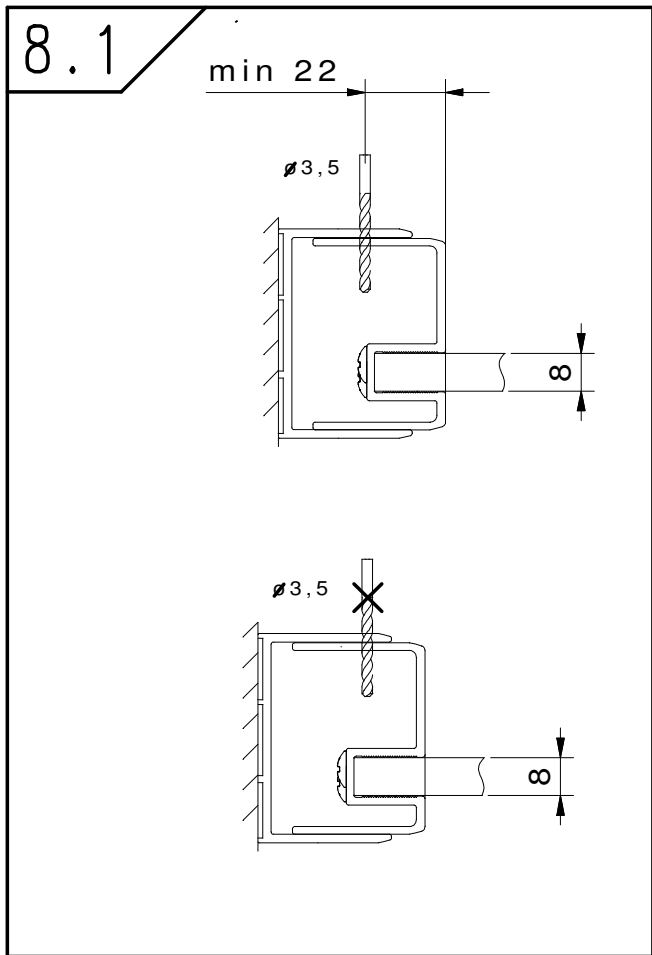
5.3



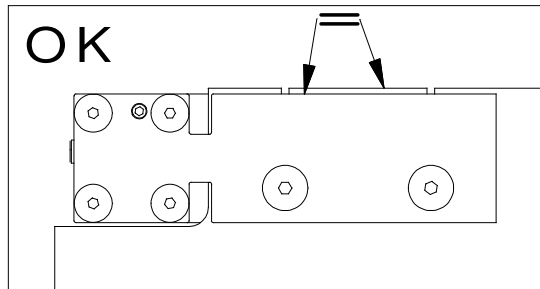
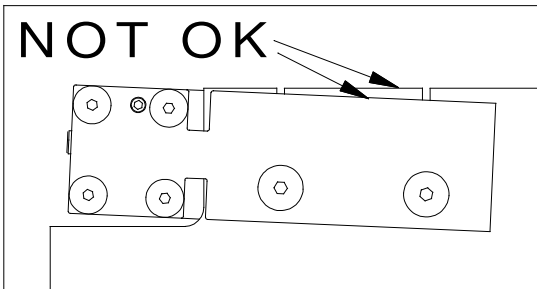
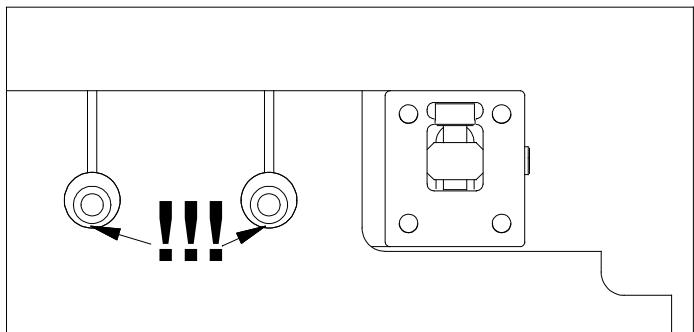
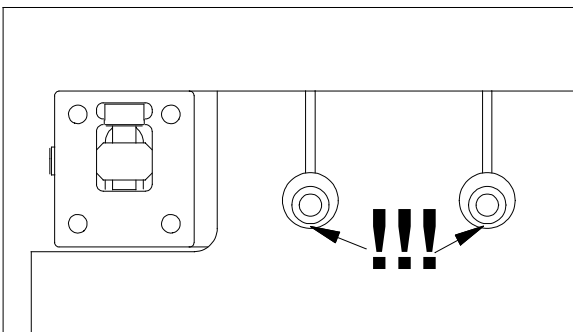
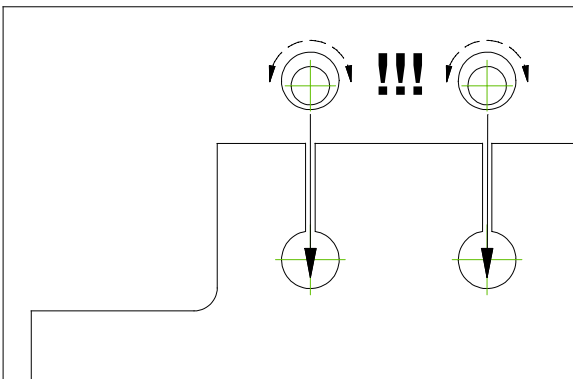
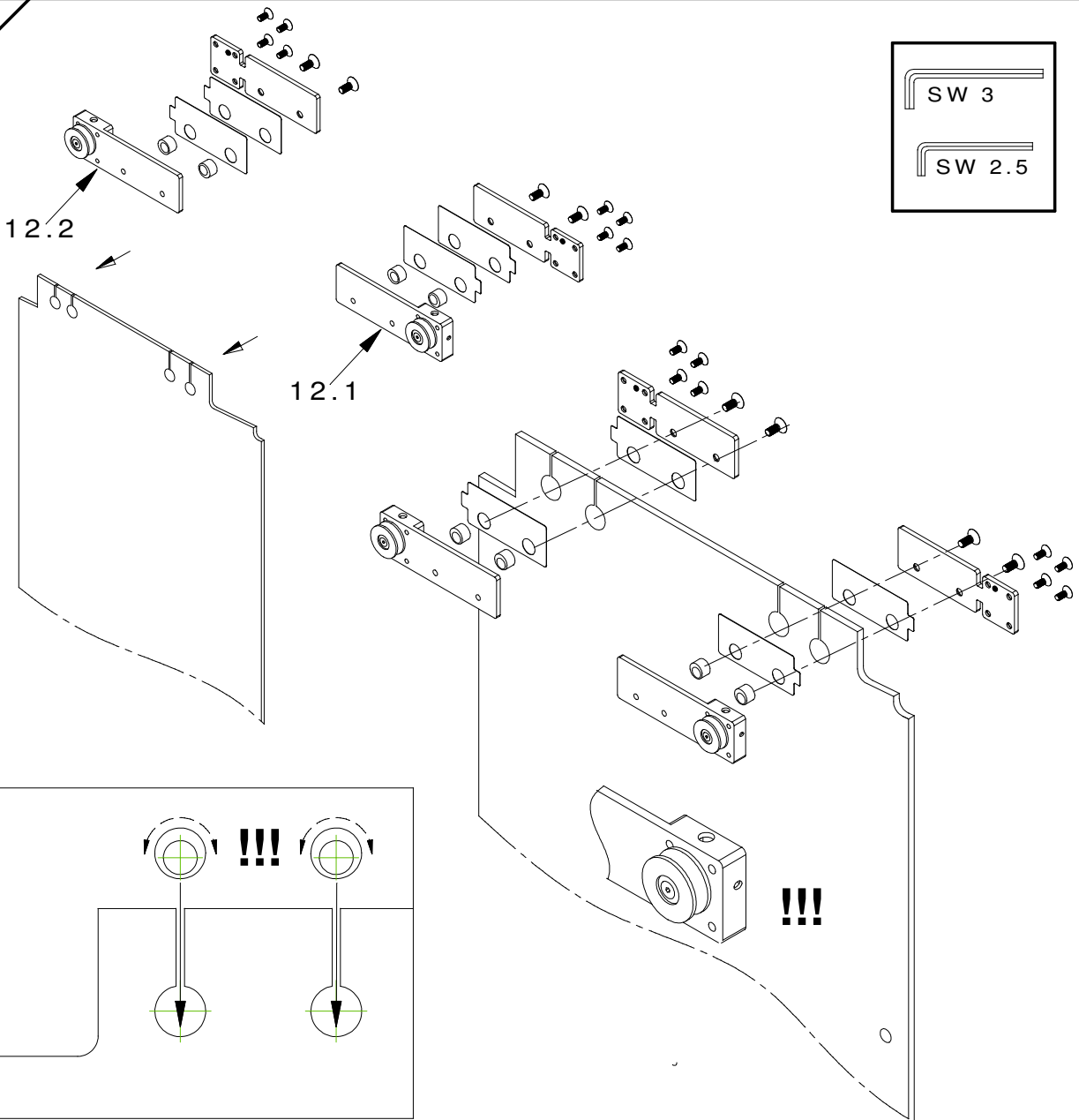
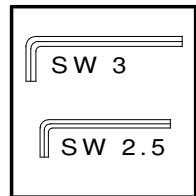
5.4

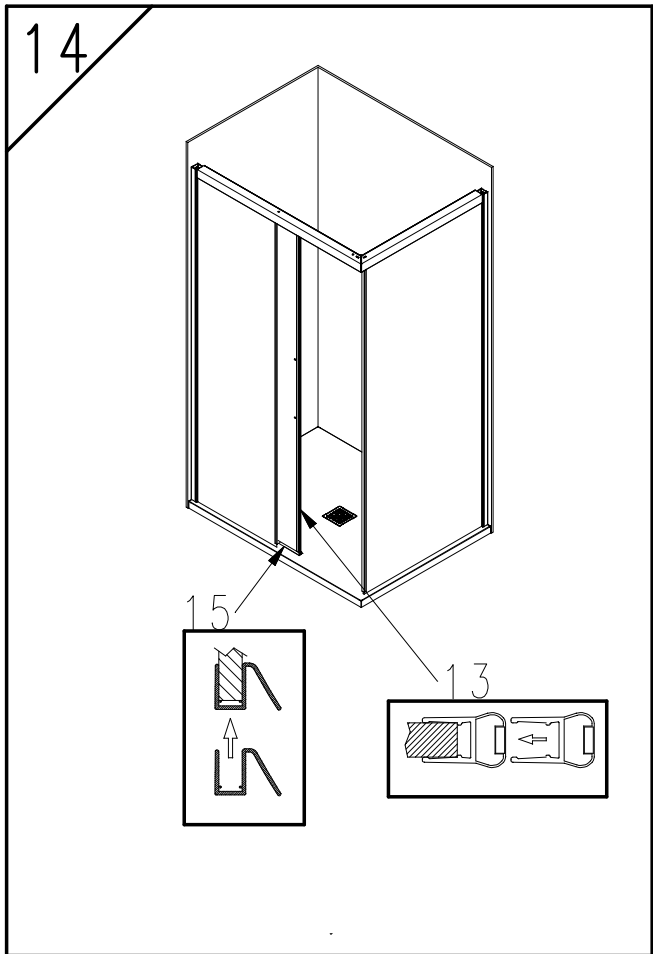
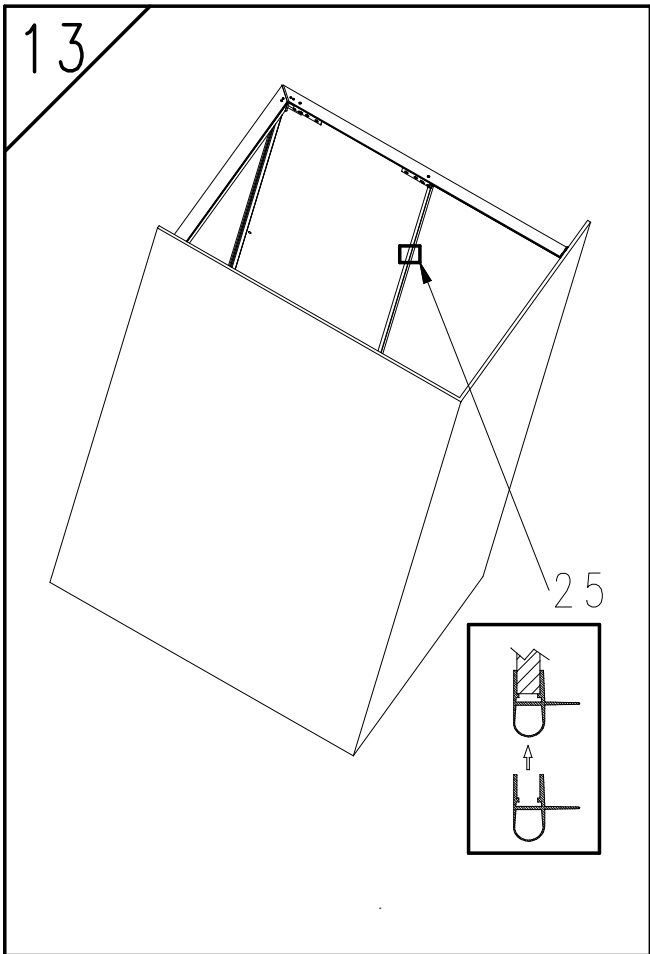
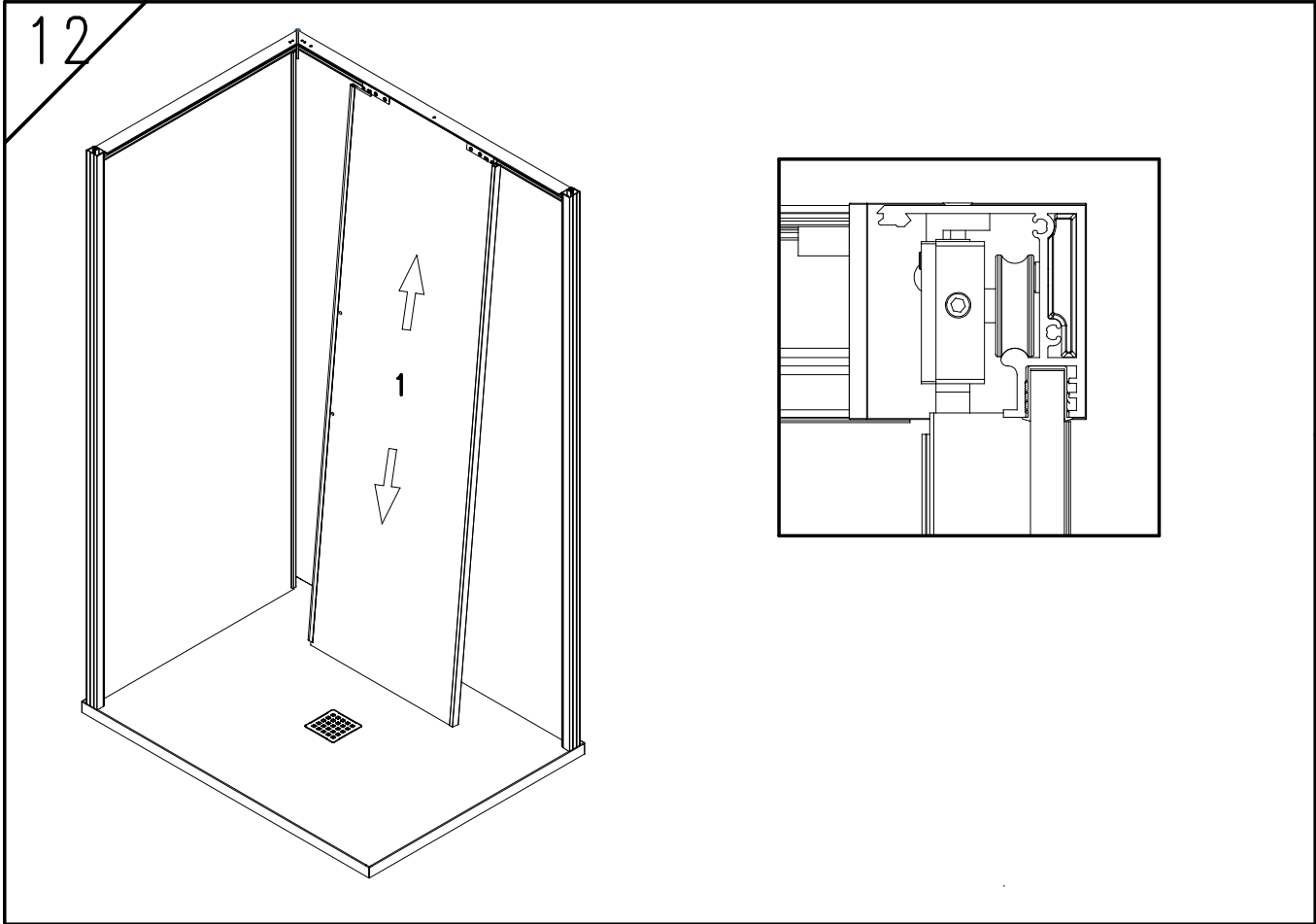




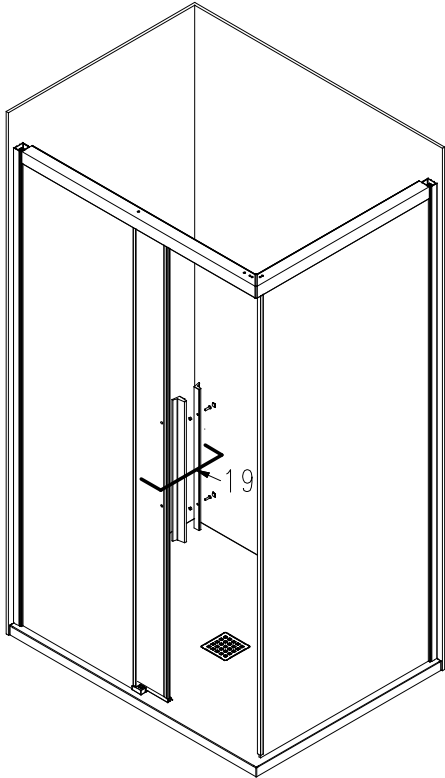


6

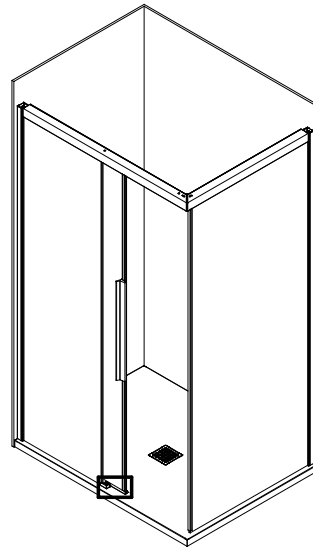




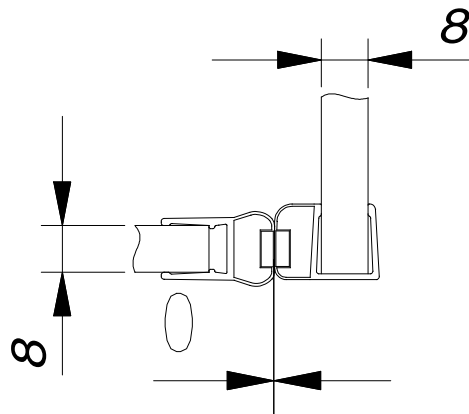
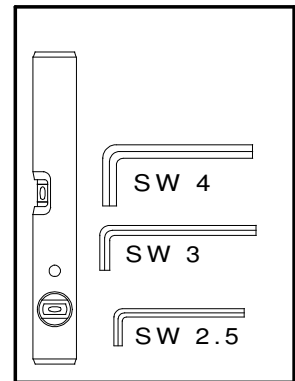
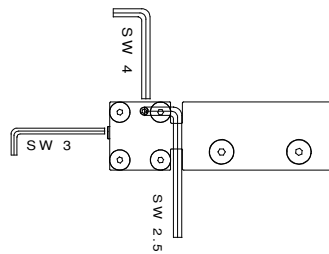
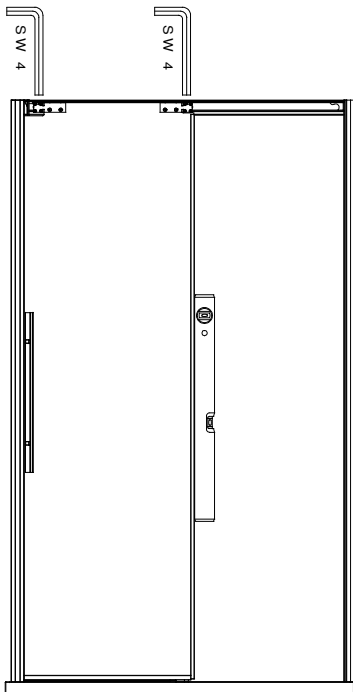
15



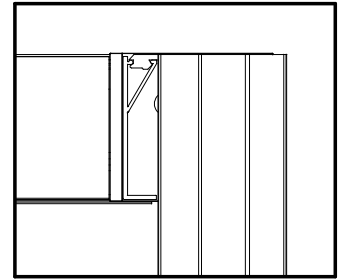
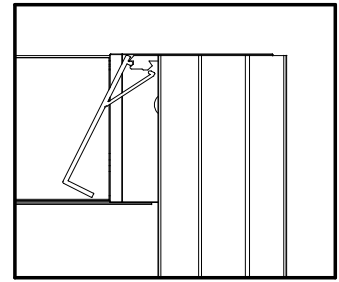
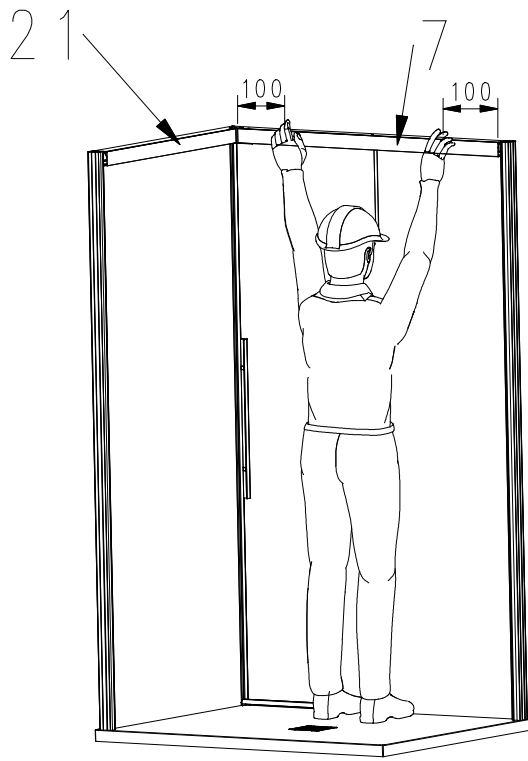
16



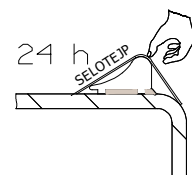
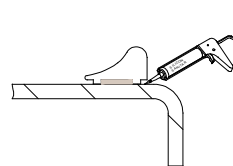
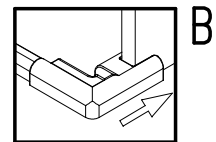
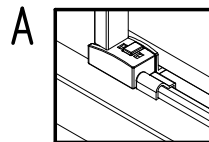
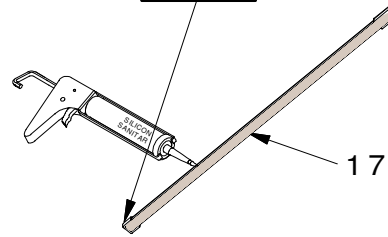
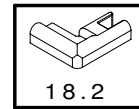
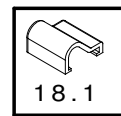
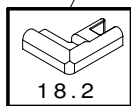
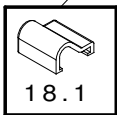
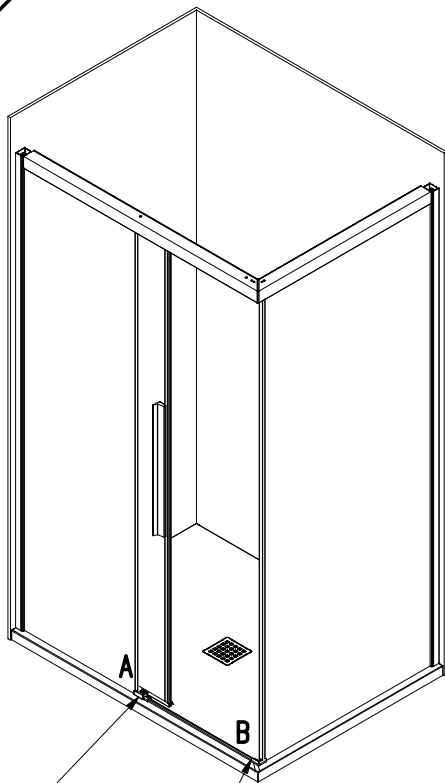
17

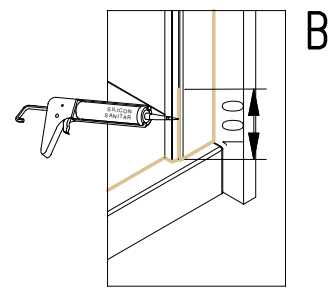
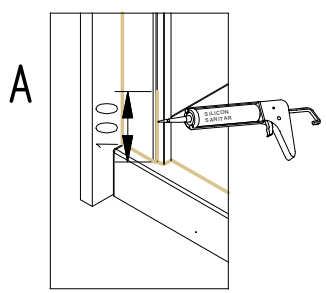
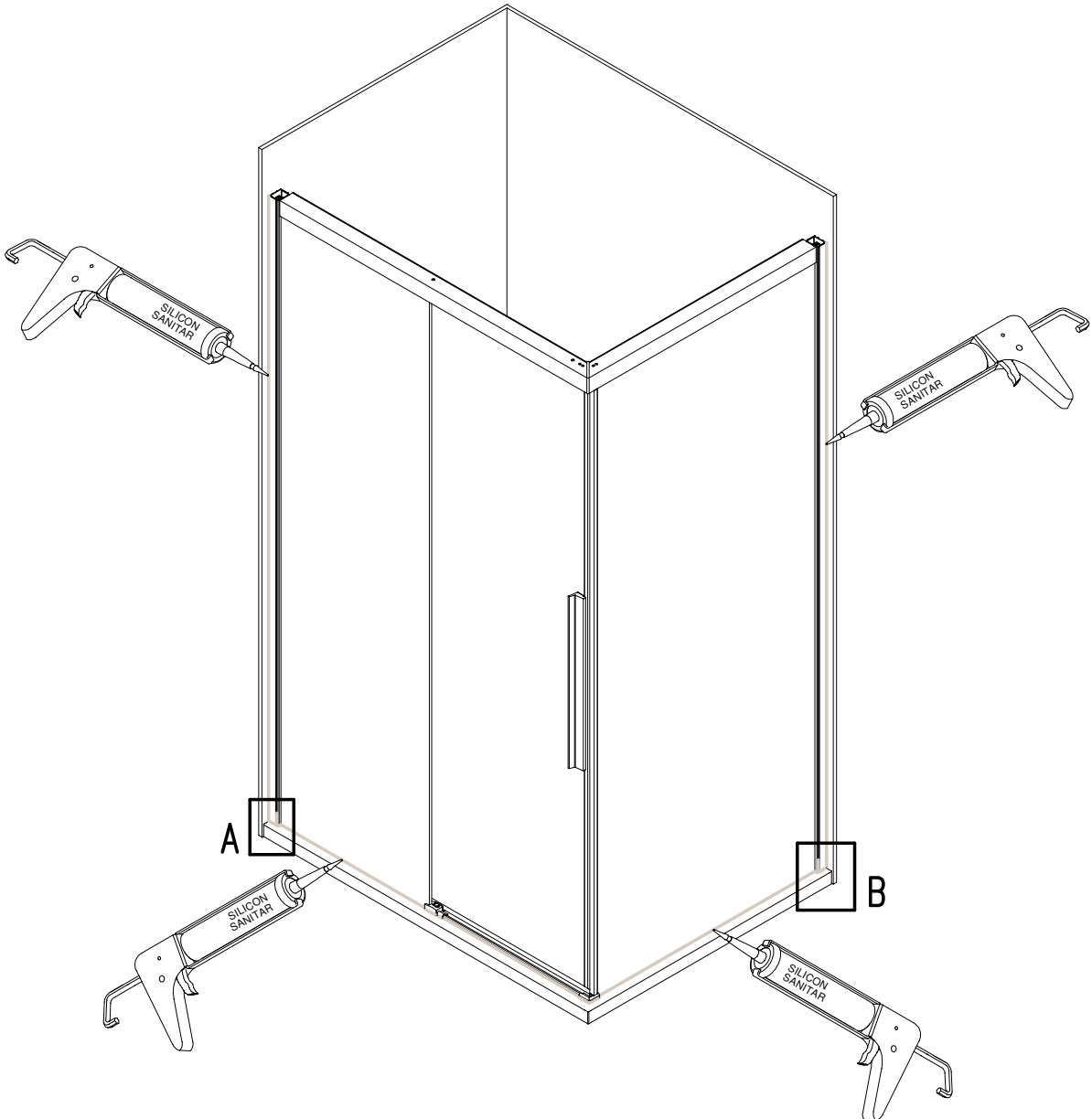


18



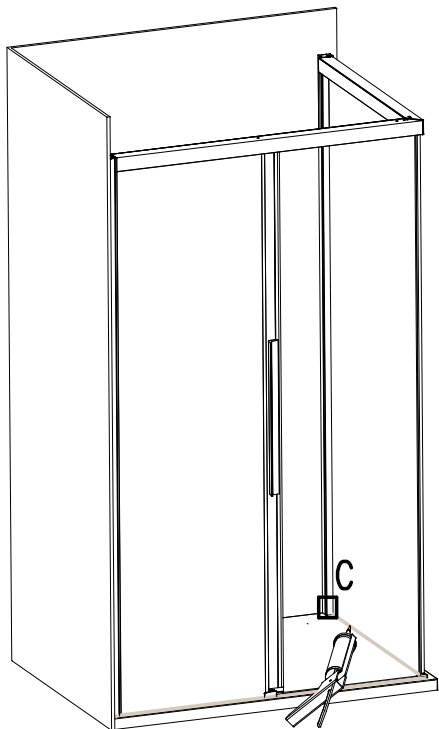
19



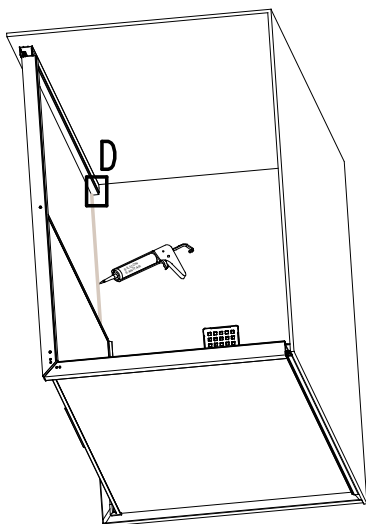
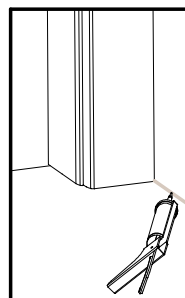




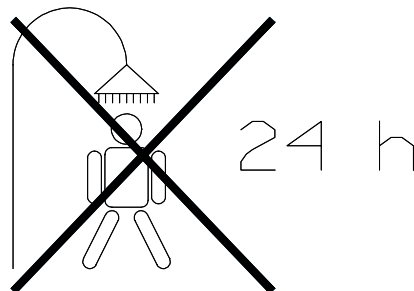
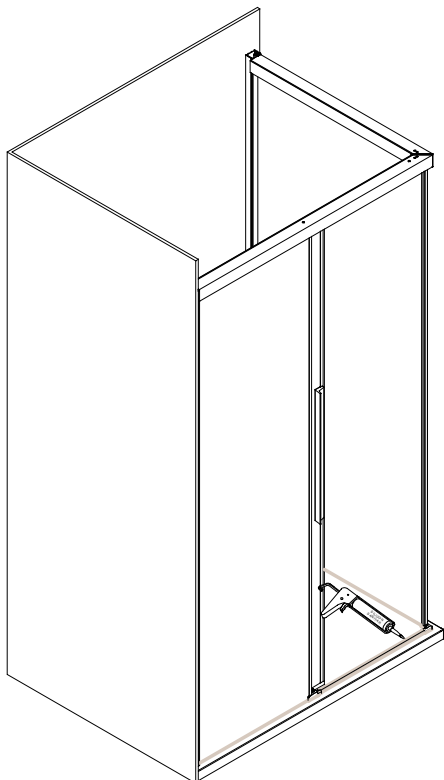
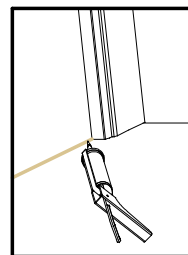
16



C



D



24 h