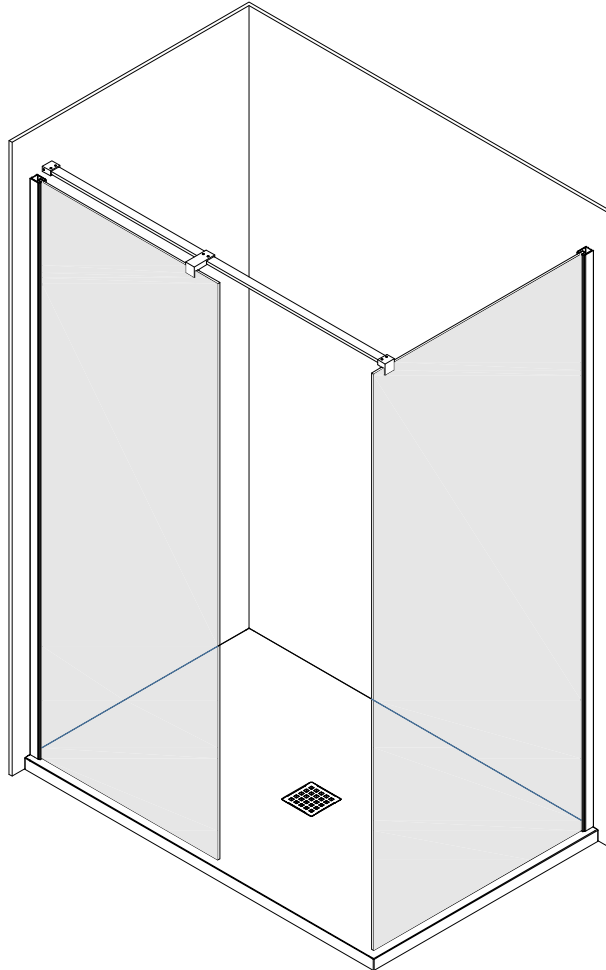
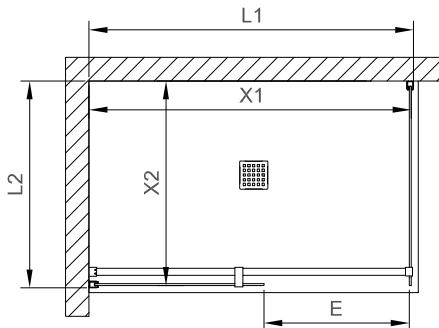


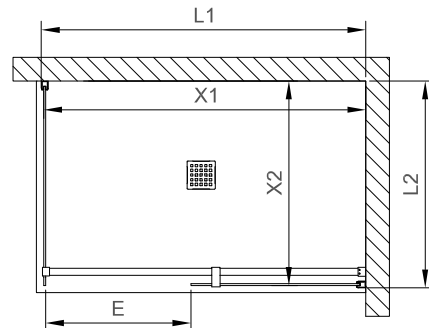
# CALYPSO WIN



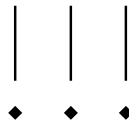
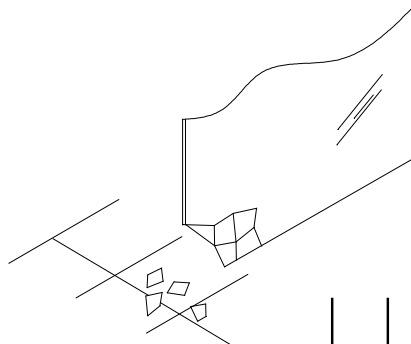
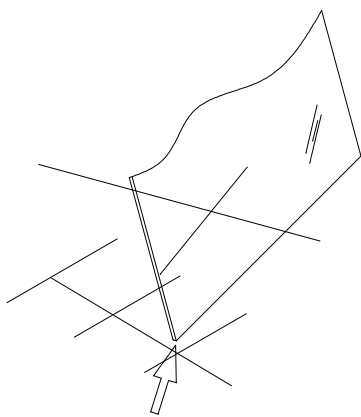
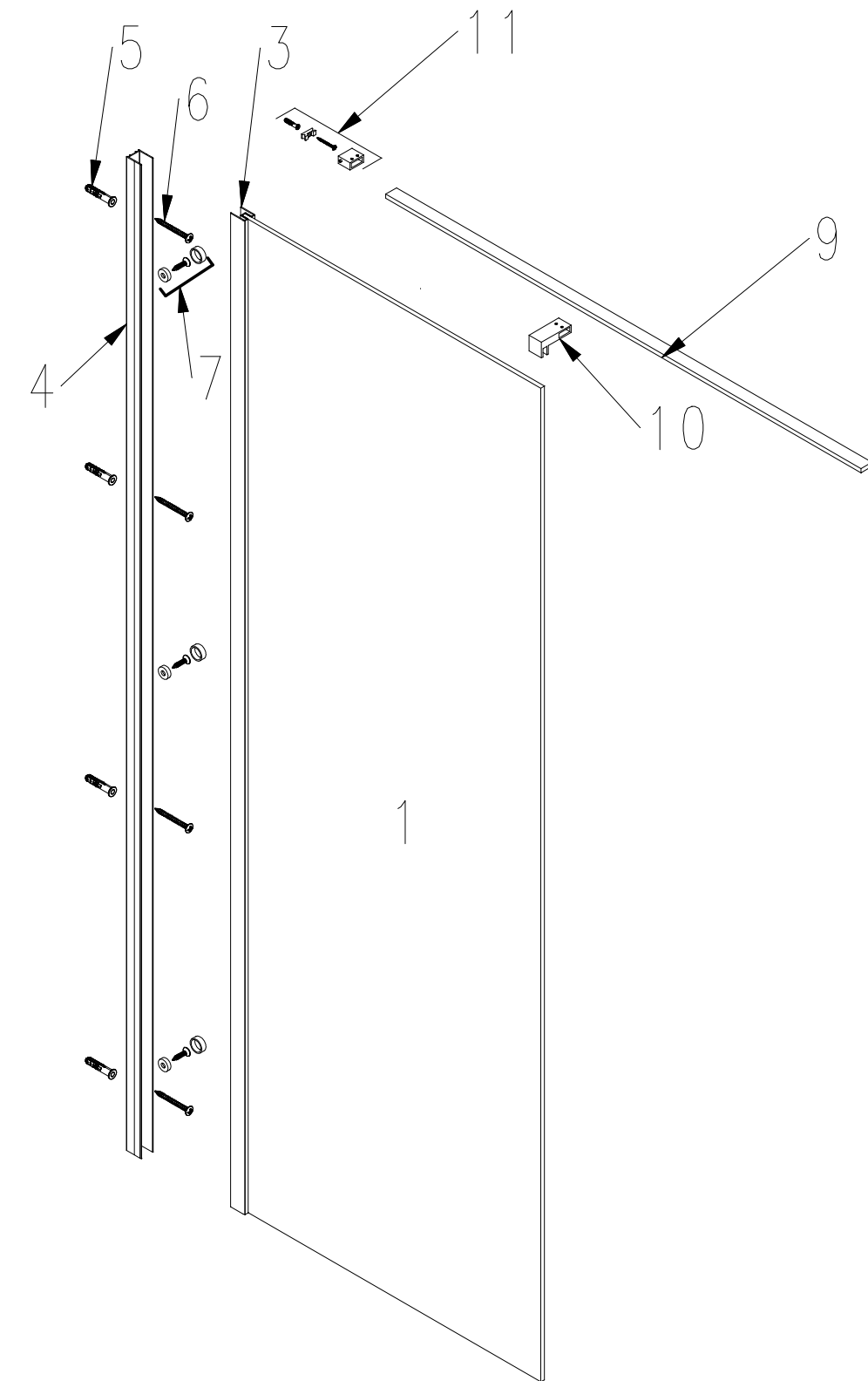
LEFT OPTION

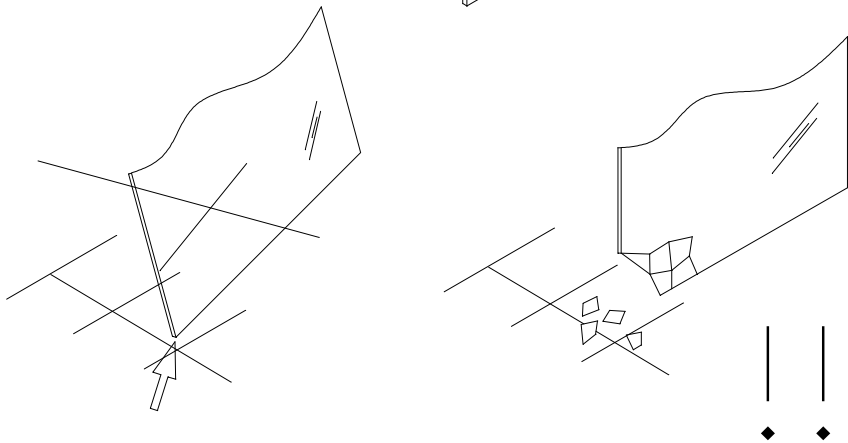
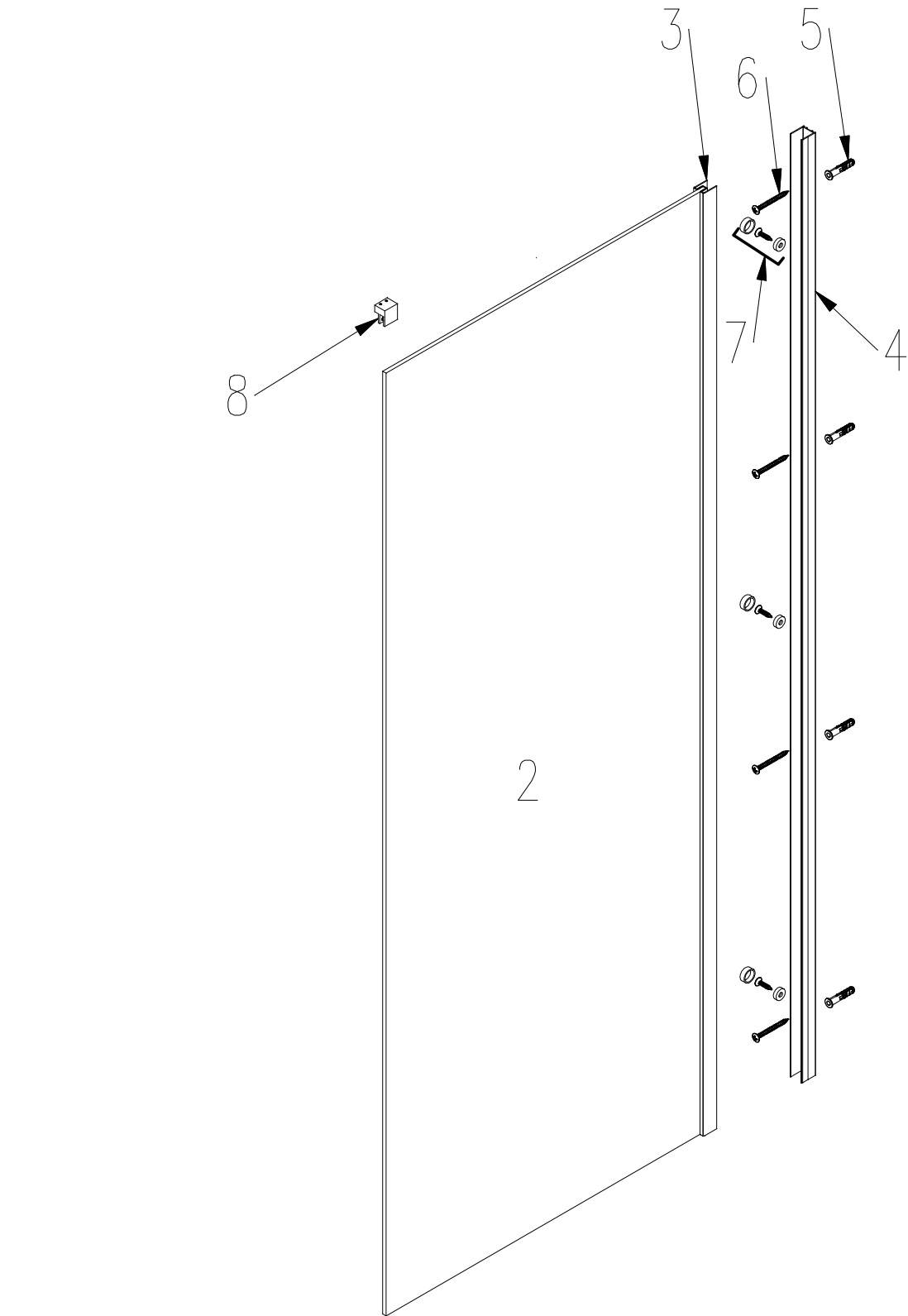


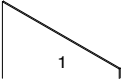
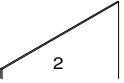

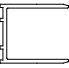



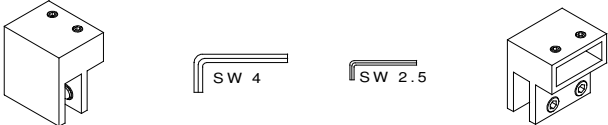
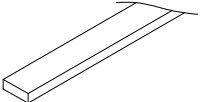
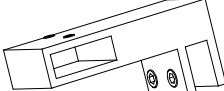
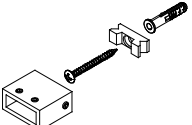


RIGHT OPTION

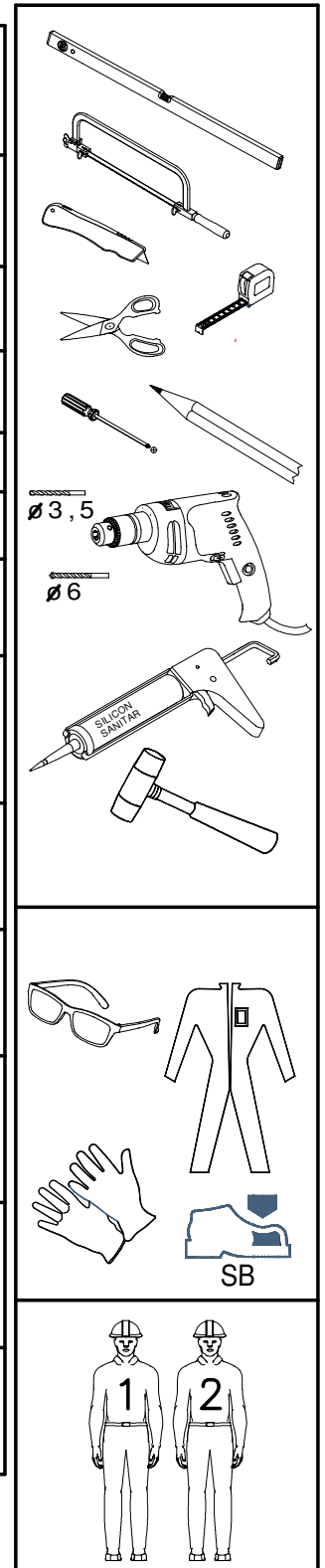


	L1	L2	X1	X2	±	E
WIN 140x80	1380-1390	780-790	1370-1380	770-780	2000	617
WIN 140x90	1380-1390	880-890	1370-1380	870-880	2000	617
WIN 140x100	1380-1390	980-990	1370-1380	970-980	2000	617
WIN 160x80	1580-1590	780-790	1570-1580	770-780	2000	617
WIN 160x90	1580-1590	880-890	1570-1580	870-880	2000	617
WIN 160x100	1580-1590	980-990	1570-1580	970-980	2000	617

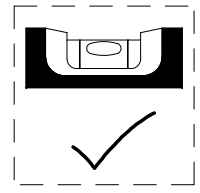
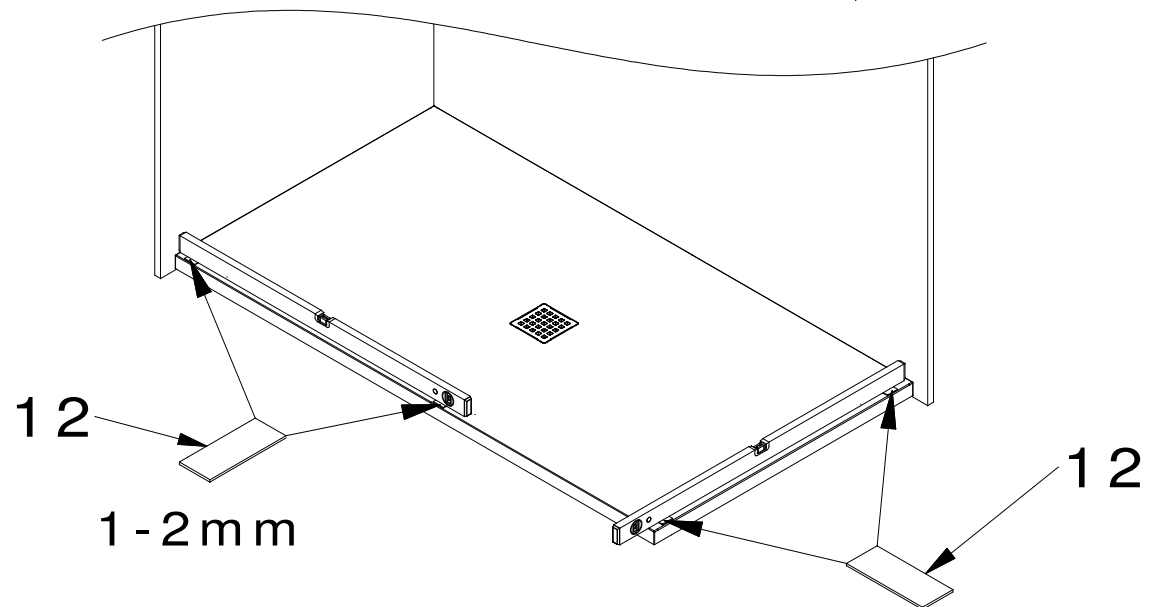
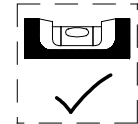
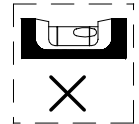
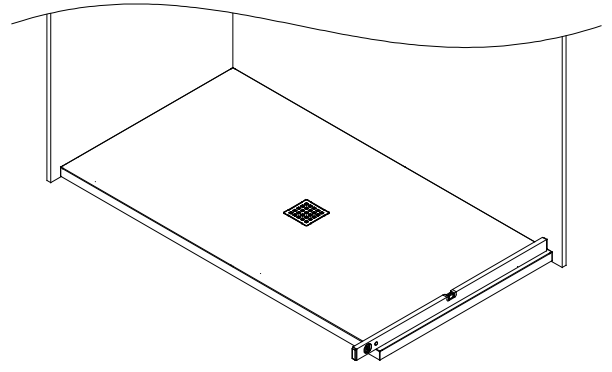
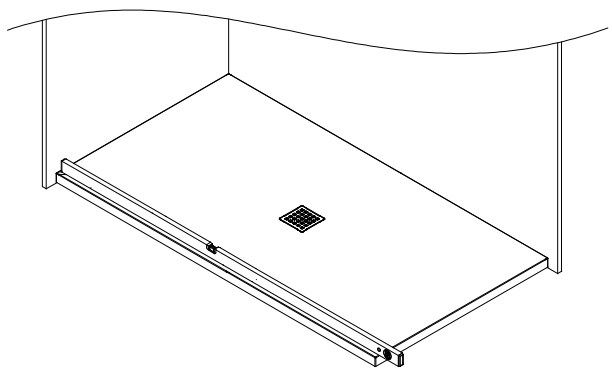




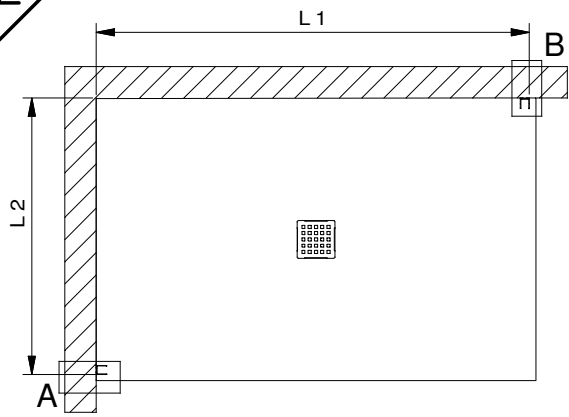
1.		1
2.		1
3.		2
4.		2
5.	 Ø6x35	8
6.	 Ø4x40	8
7.	 Ø3,9x13	6
8.	 SW 4 SW 2.5	1
9.		1
10.	 SW 4 SW 2.5	1
11.	 SW 2.5	1
12.	 1 mm 2 mm	2+2
13.		1



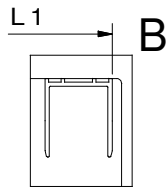
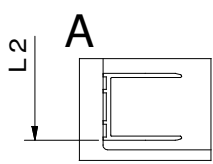
1



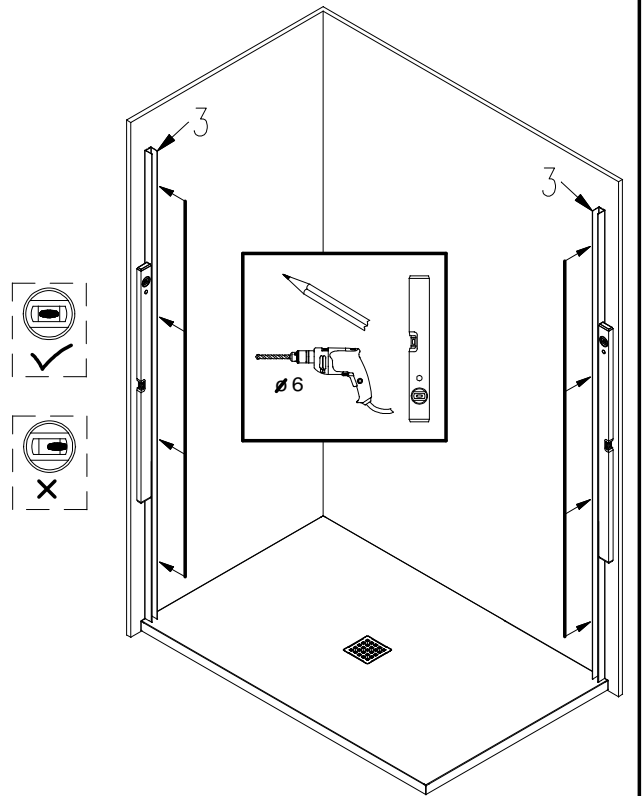
2



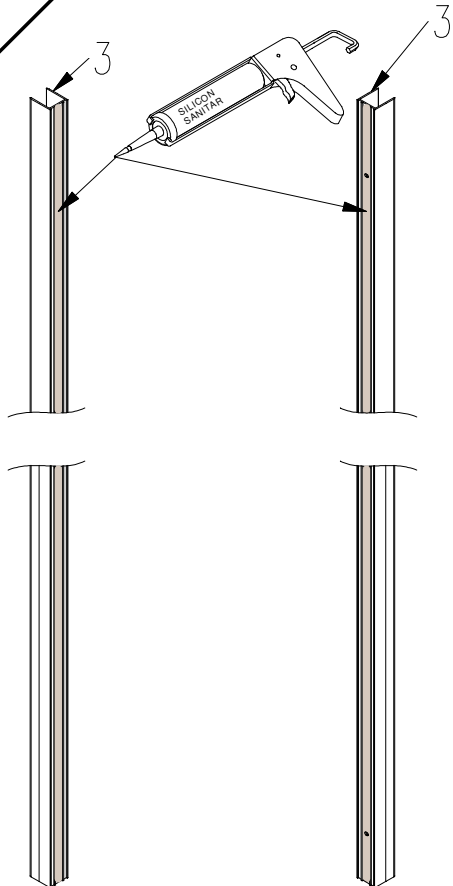
	L1	L2
WIN 140x80	1380-1390	780-790
WIN 140x90	1380-1390	880-890
WIN 140x100	1380-1390	980-990
WIN 160x80	1580-1590	780-790
WIN 160x90	1580-1590	880-890
WIN 160x100	1580-1590	980-990



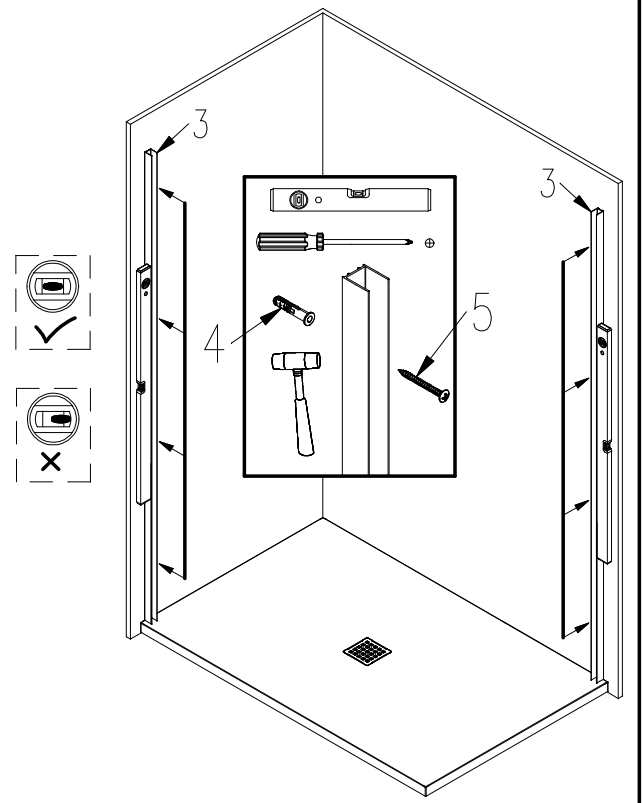
2.1



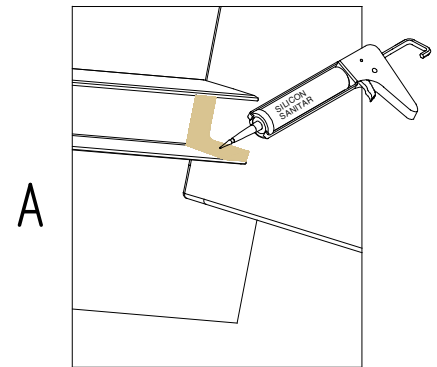
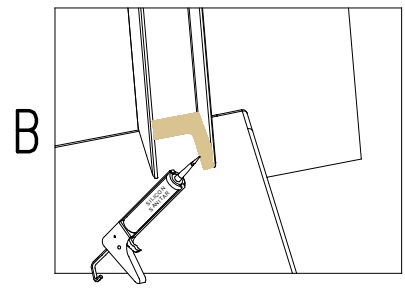
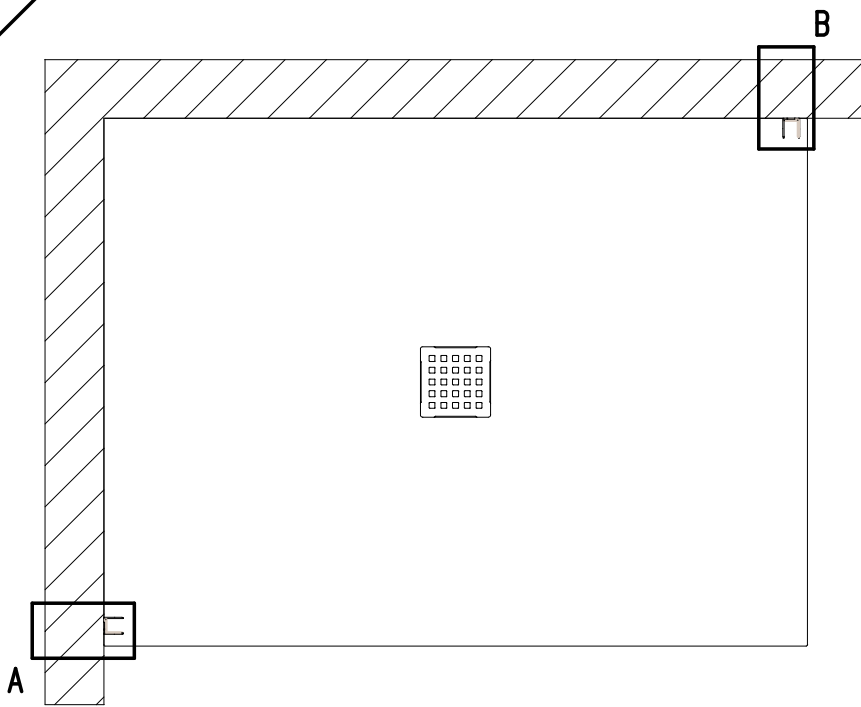
2.2



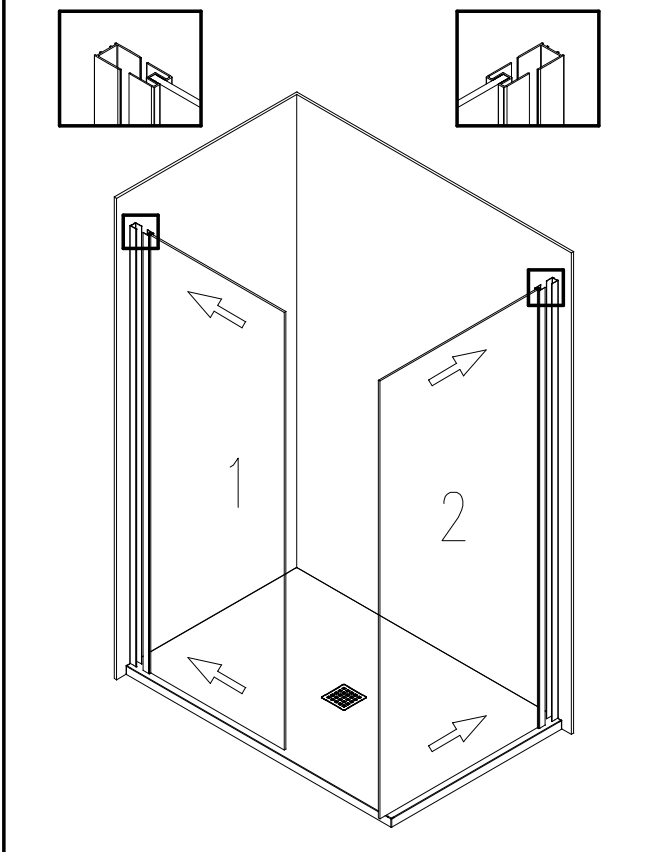
2.3



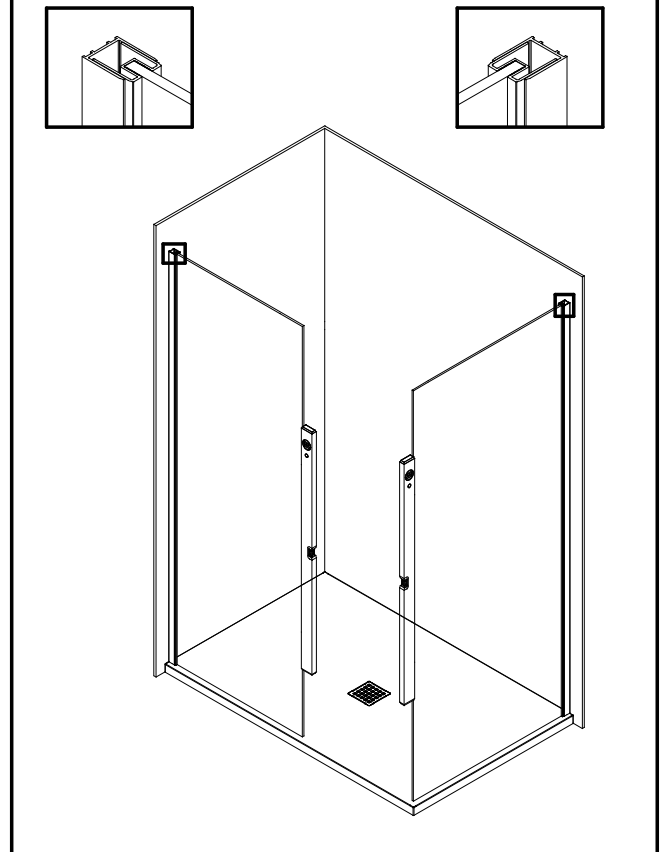
3



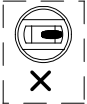
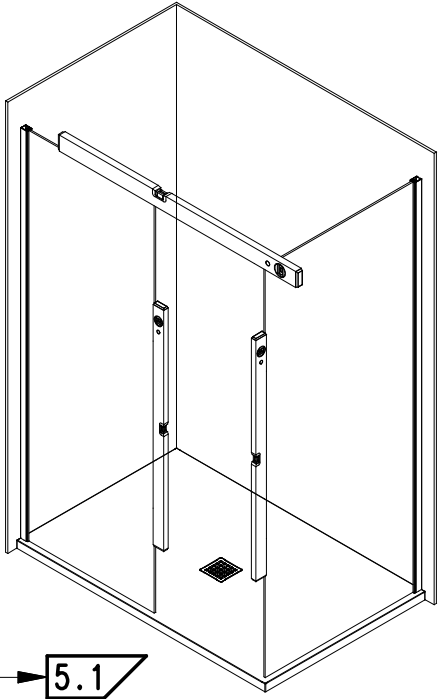
4.1



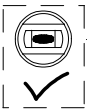
4.2



5

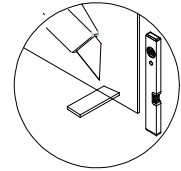
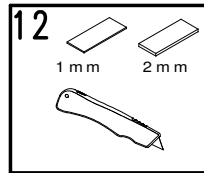
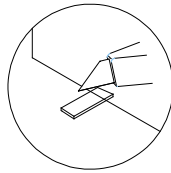
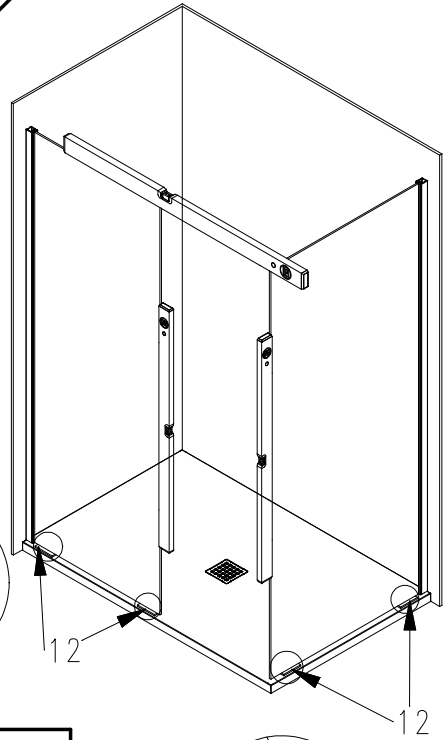


5.1

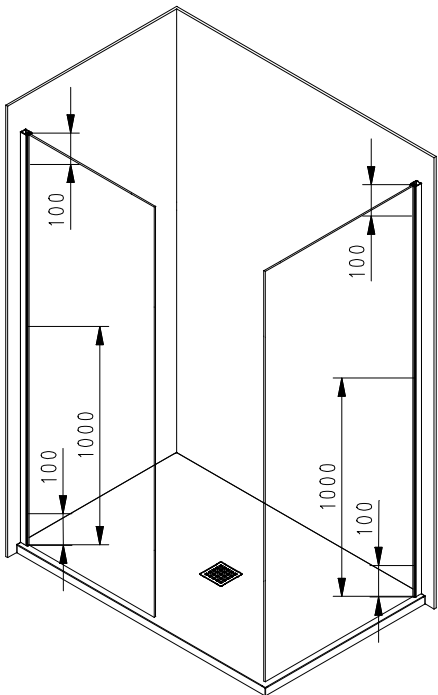
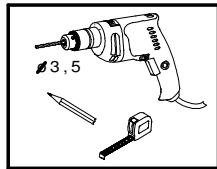


6

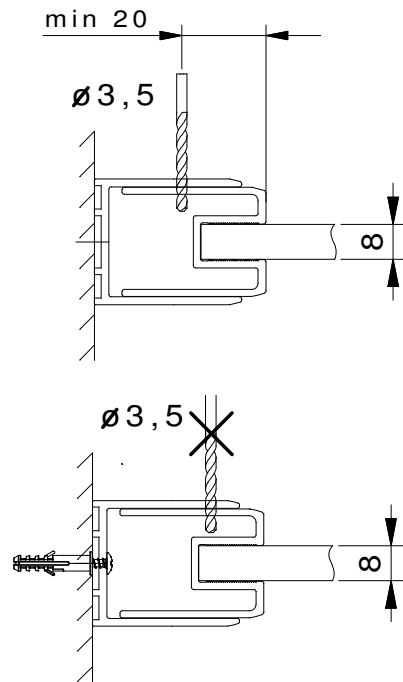
5.1



6

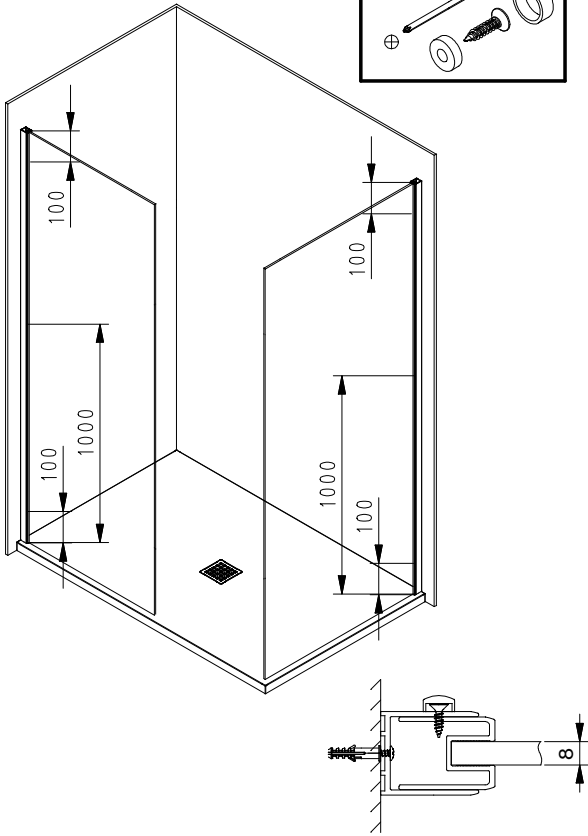
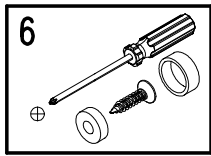


6.1

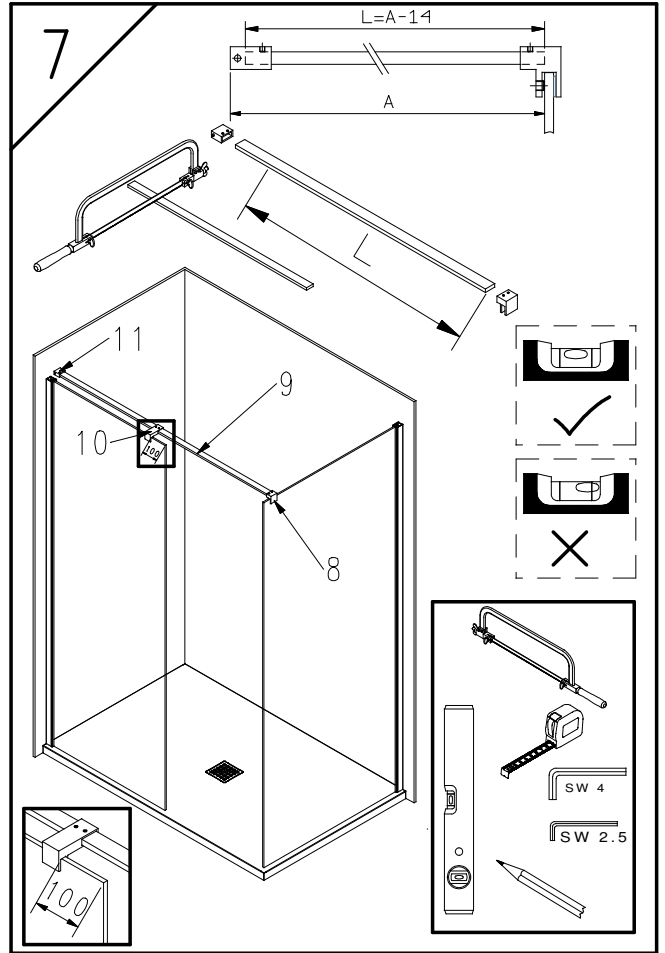




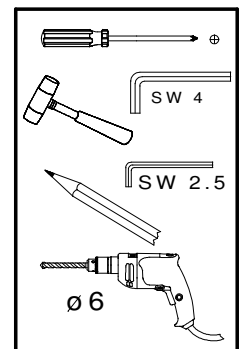
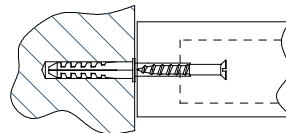
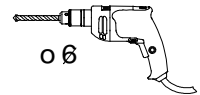
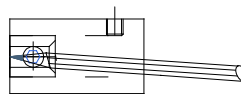
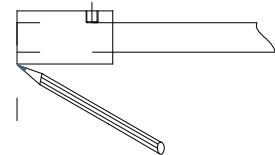
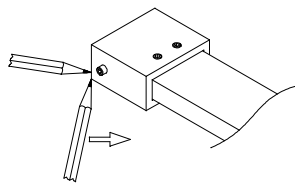
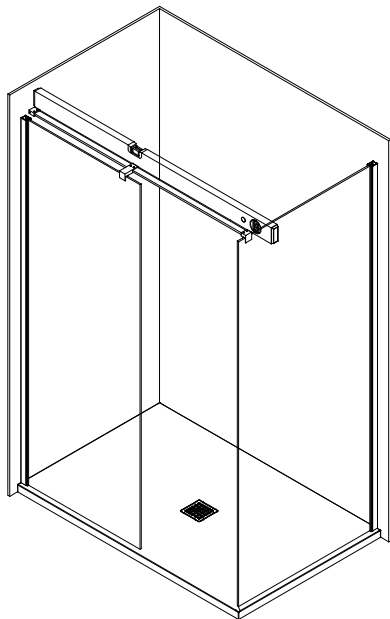
6.2



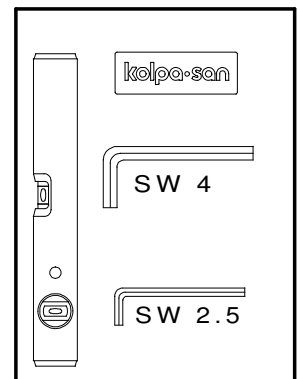
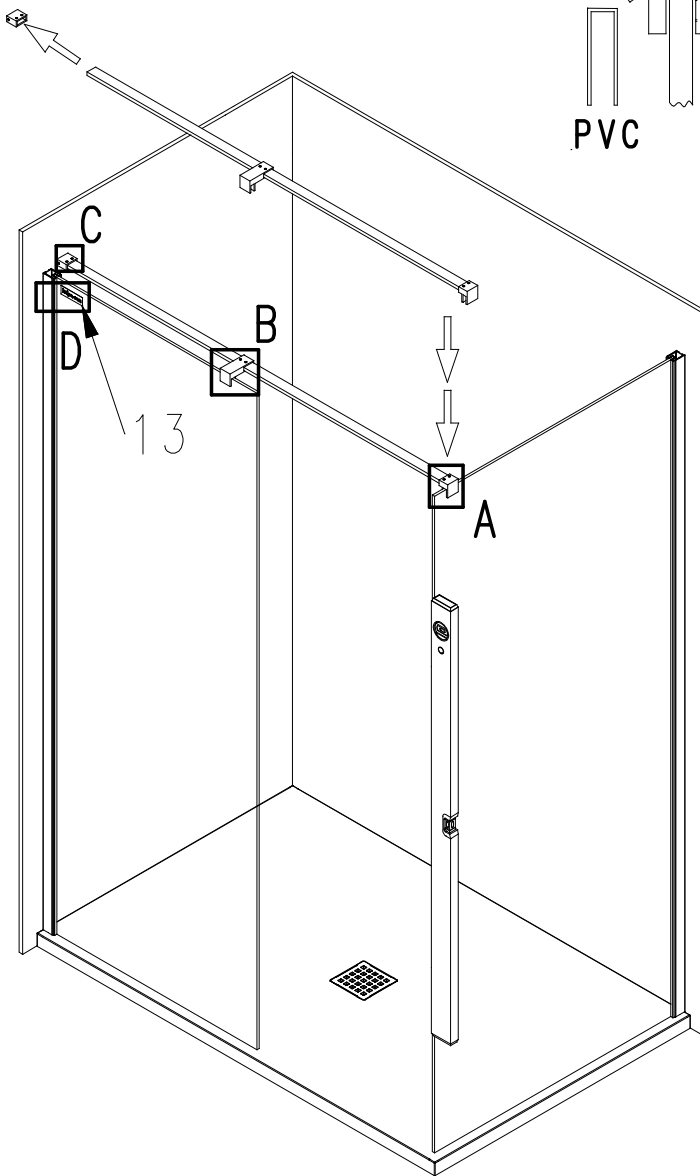
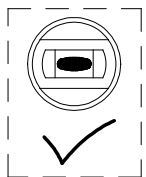
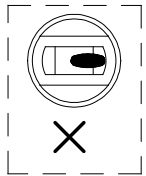
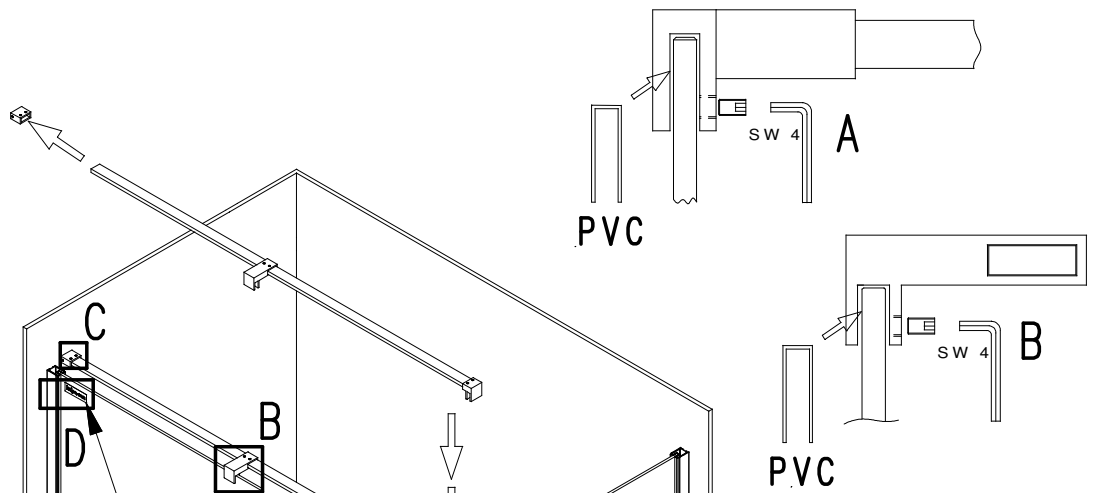
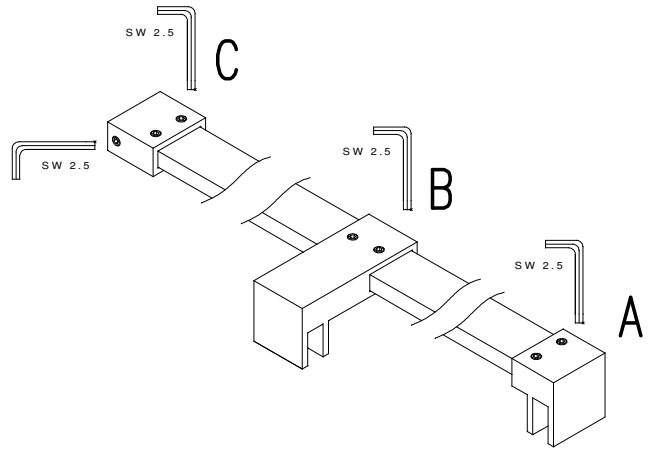
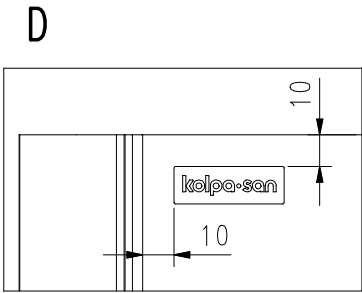
7



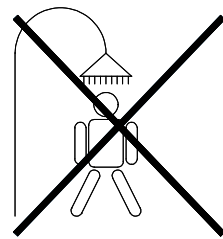
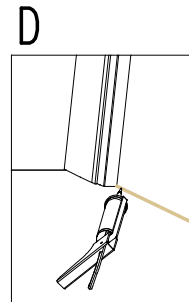
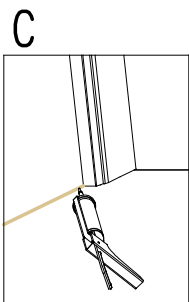
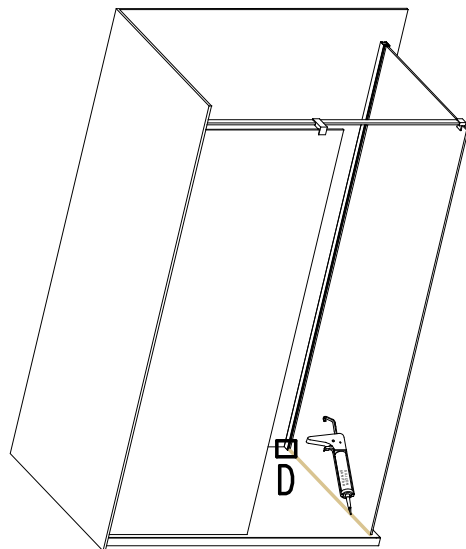
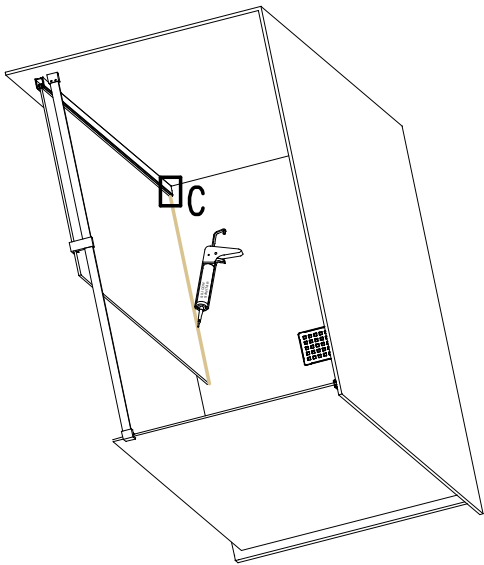
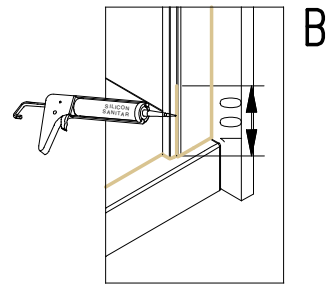
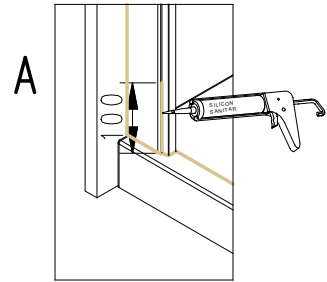
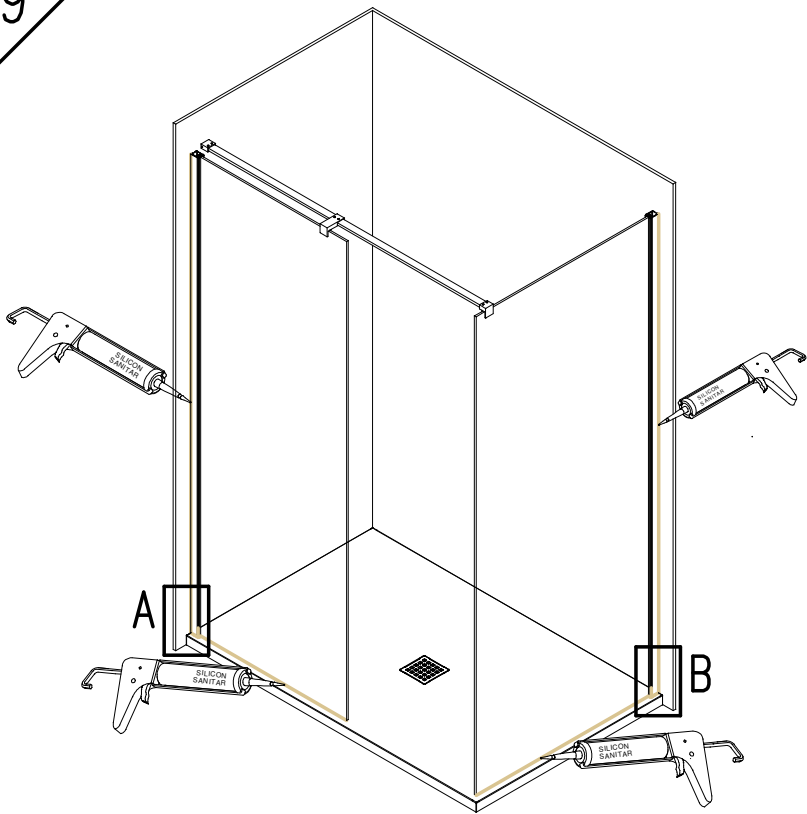
7.1



8



9



24 h