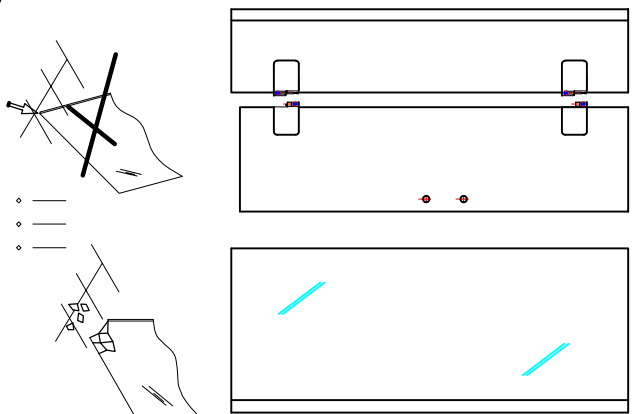
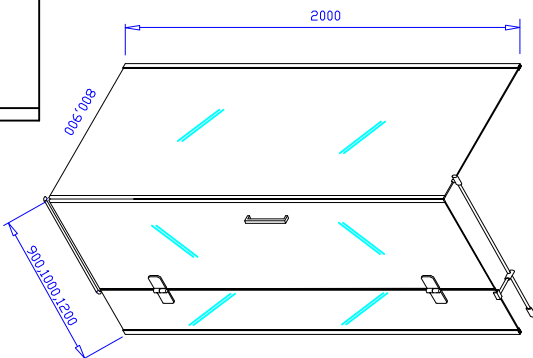
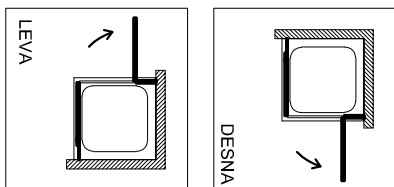
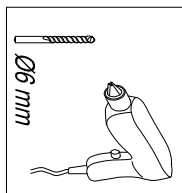
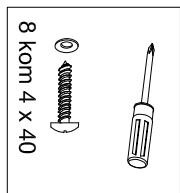
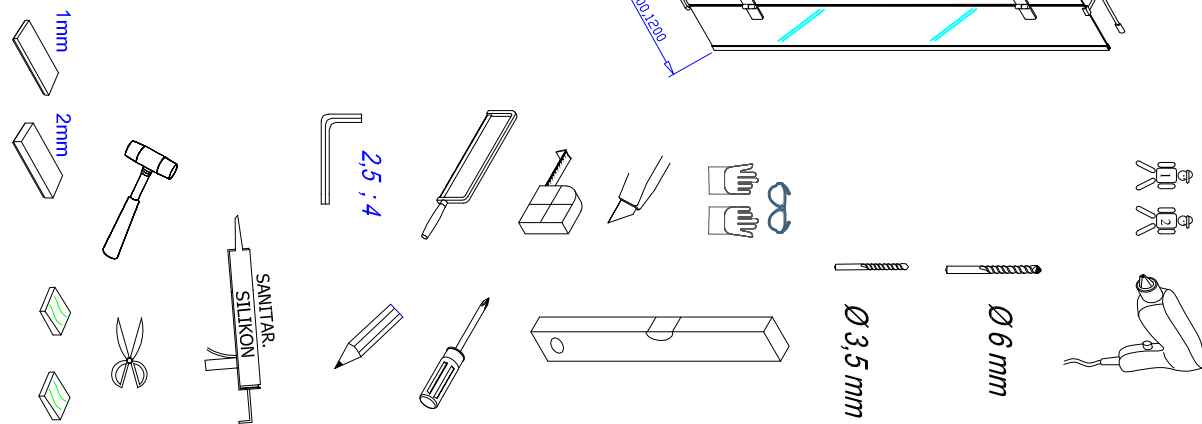


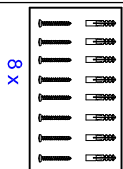
| | | | | |
|----------------------|---------|------|---------|--|
| | | | | |
| TV 90, 100, 120 x 80 | 780-790 | 2000 | 530/570 | |
| TV 90, 100, 120 x 90 | 880-890 | 2000 | 530/570 | |



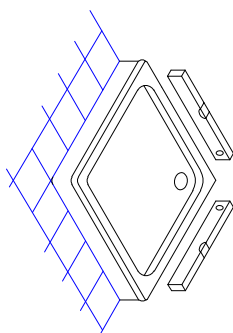
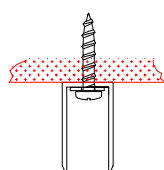
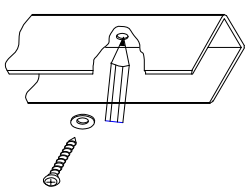
-1-



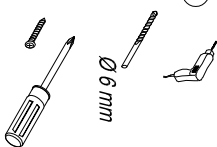
-2-



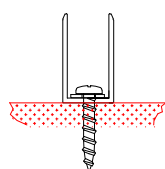
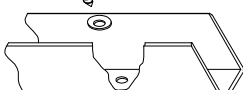
4 x 4 x 40



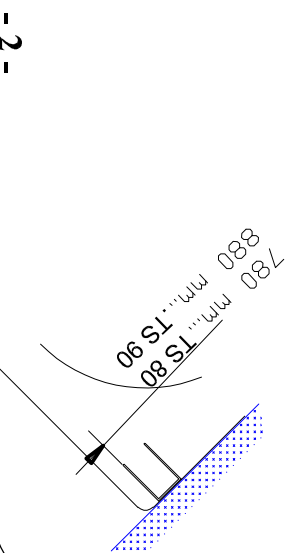
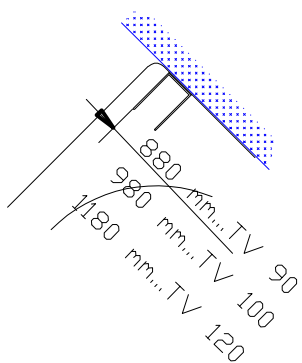
...

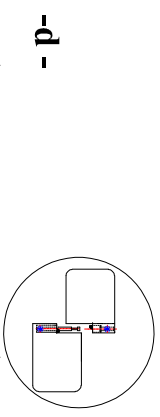
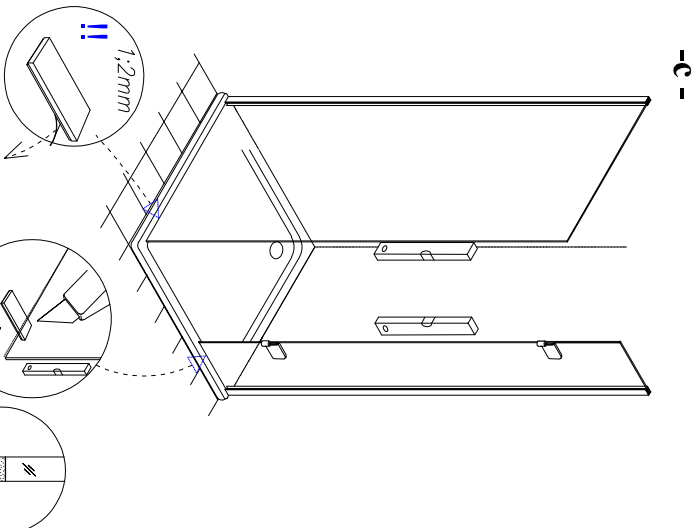
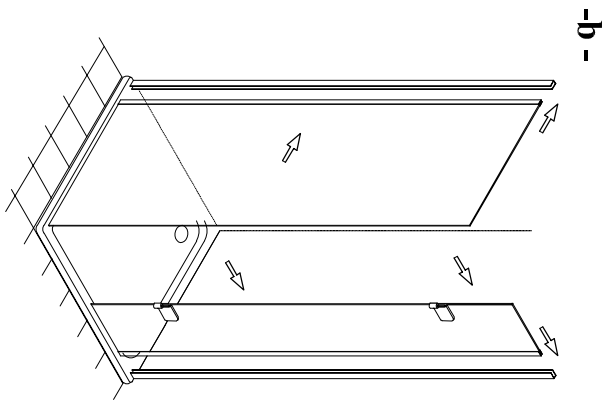


4 x 4 x 40

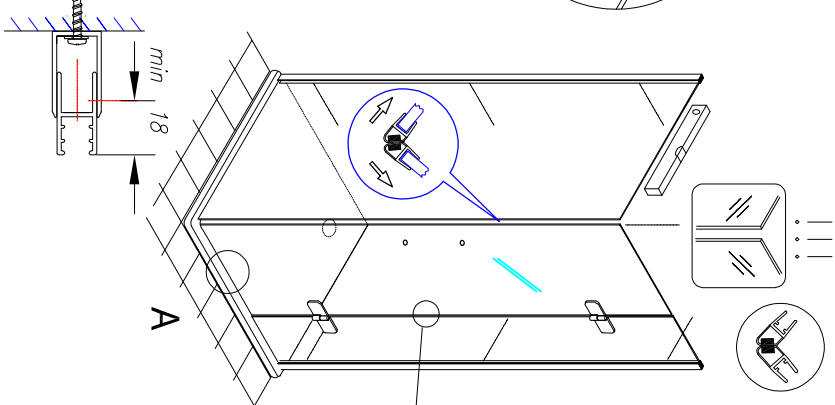
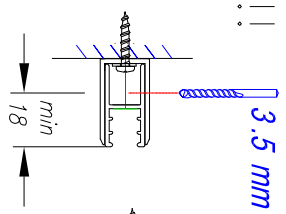
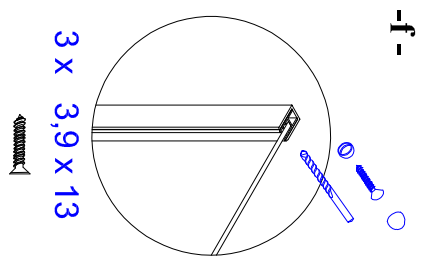
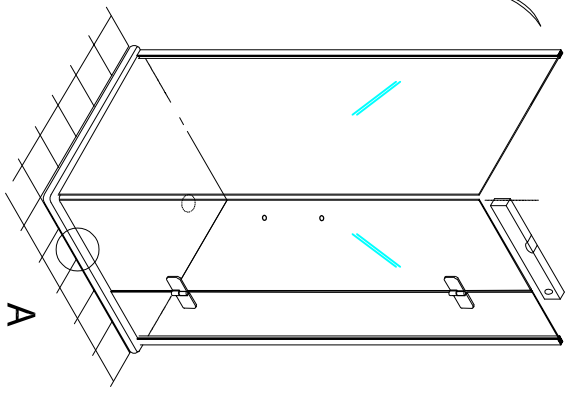
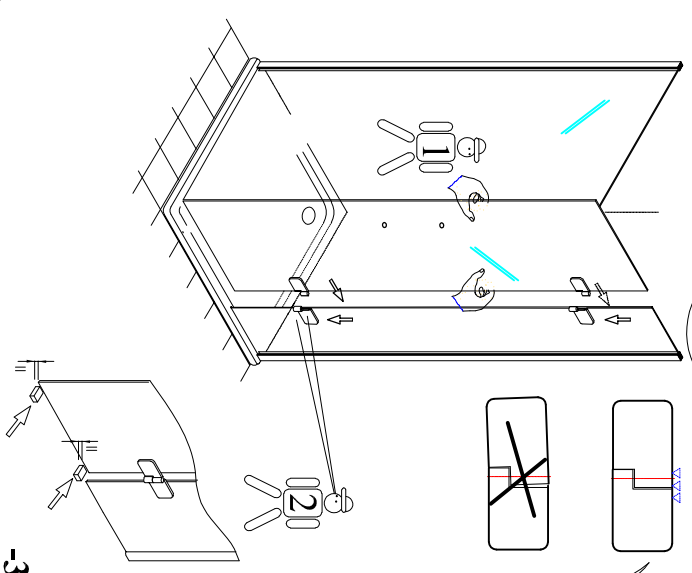
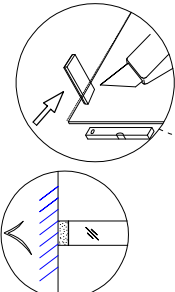


-2-

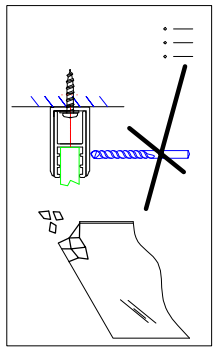
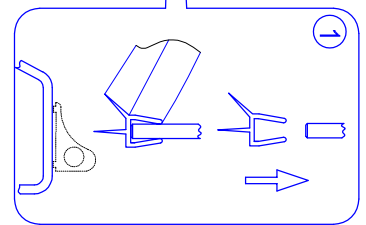
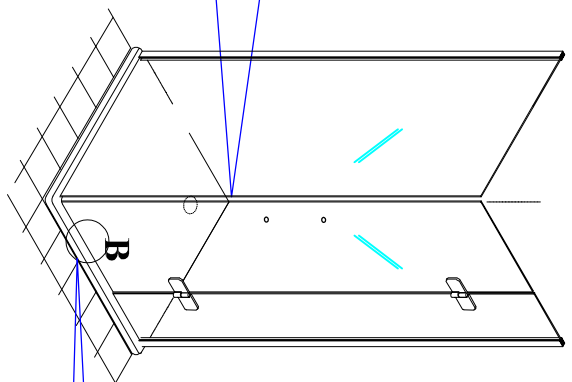
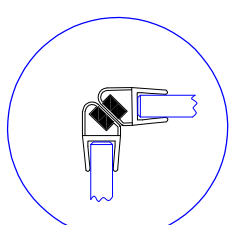




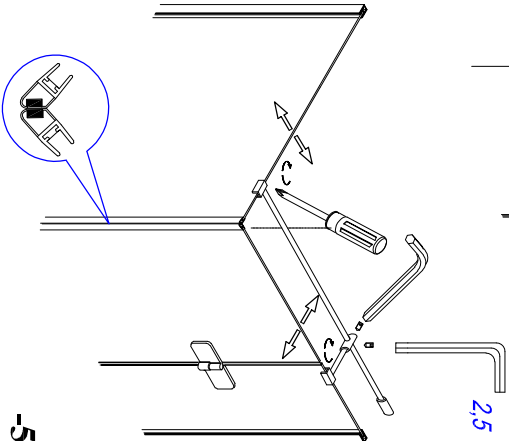
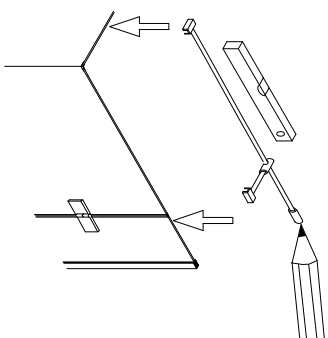
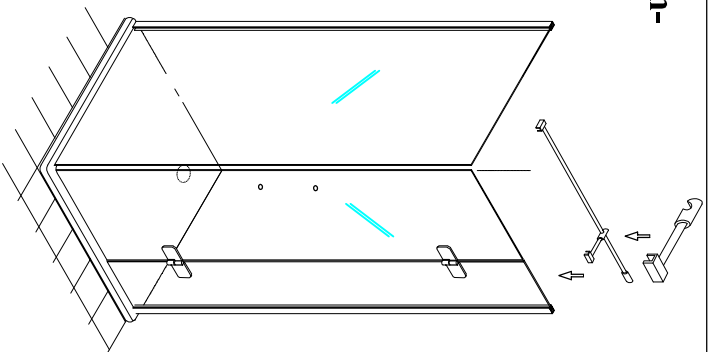
-e-



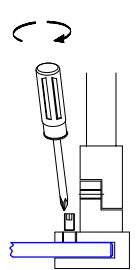
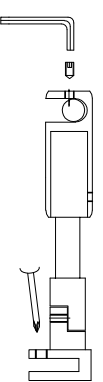
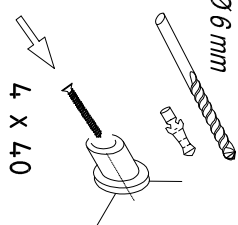
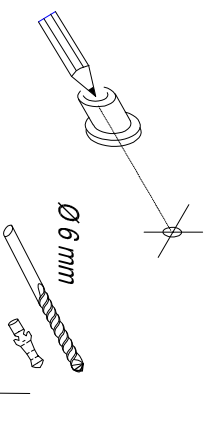
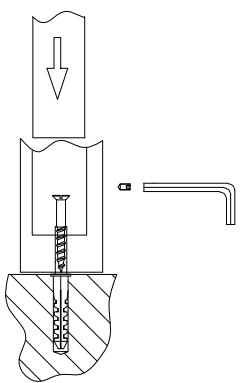
-g-



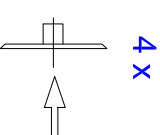
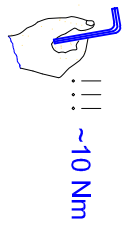
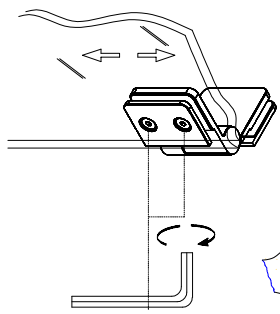
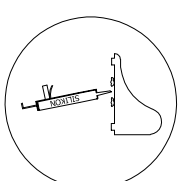
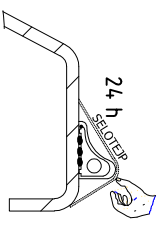
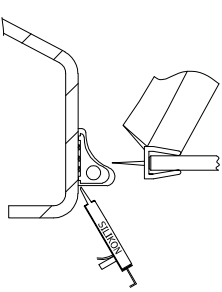
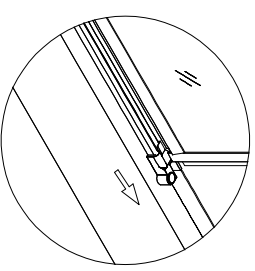
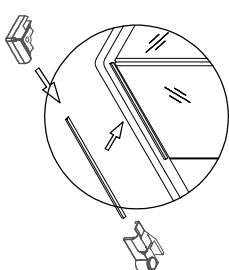
-h-



-5-

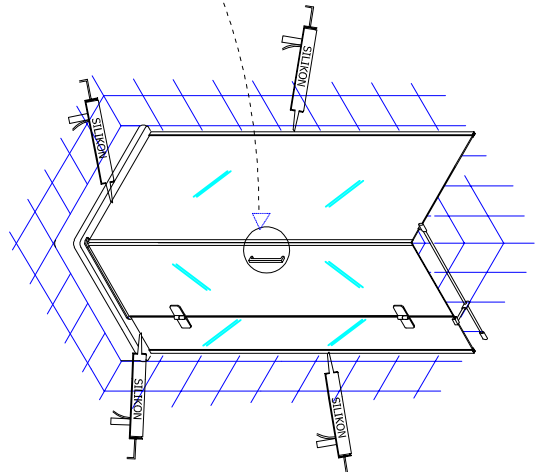
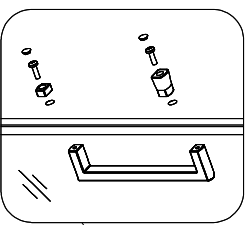
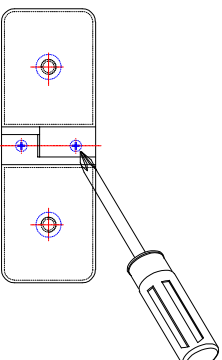


-i-

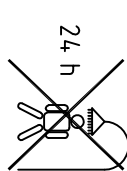


4 X

~10 Nm



-6-



24 h