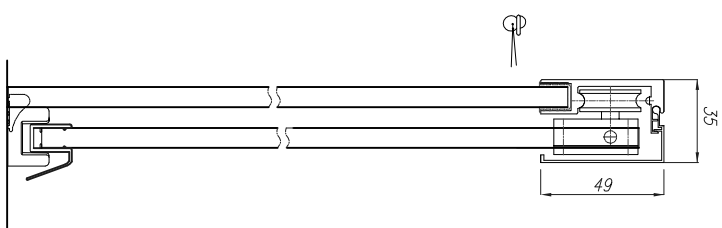
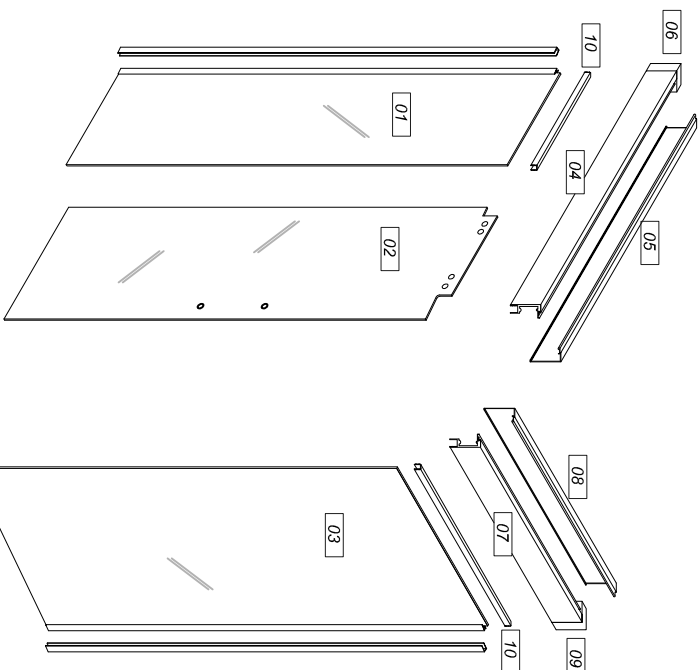
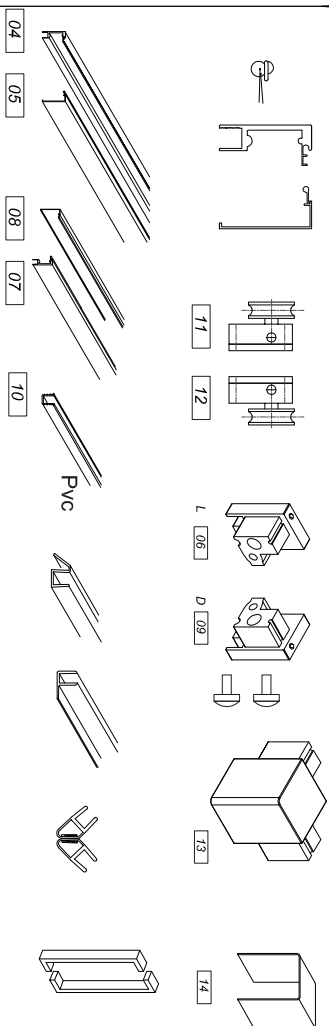
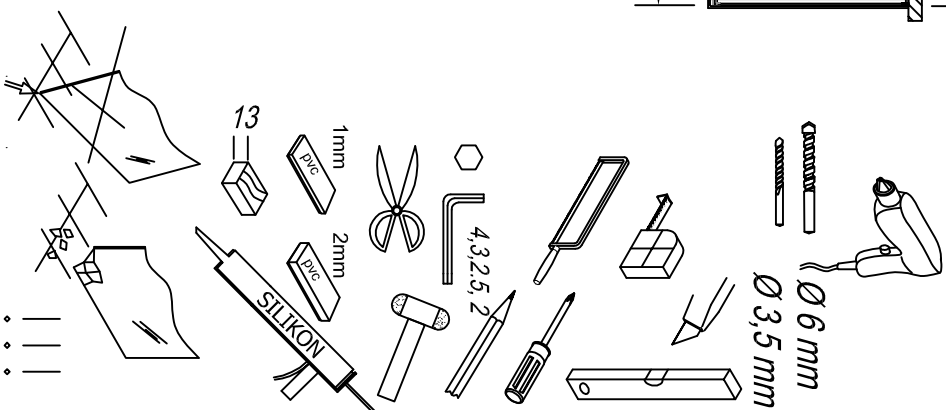
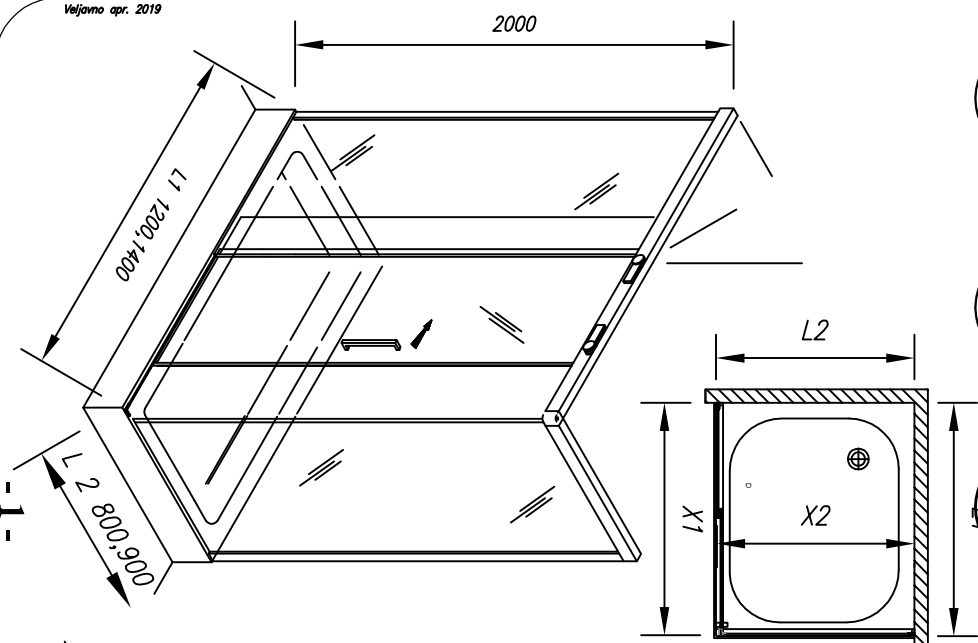
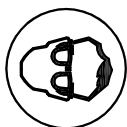
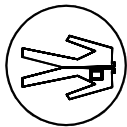
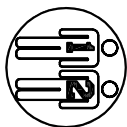
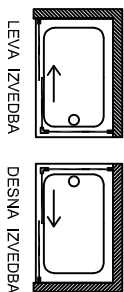
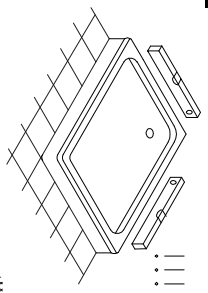


	L1 x L2	X1 x X2	I	H
TK 120x80	1180 x 780	1175 x 775	2000	460
TK 120x90	1180 x 880	1175 x 875	2000	460
TK 140x80	1380 x 780	1375 x 775	2000	560
TK 140x90	1380 x 880	1375 x 875	2000	560

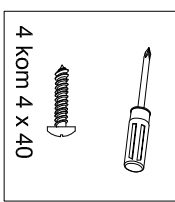
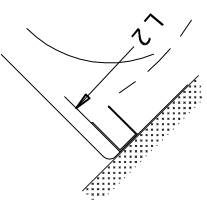
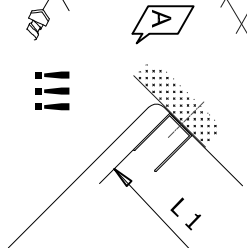


-2-

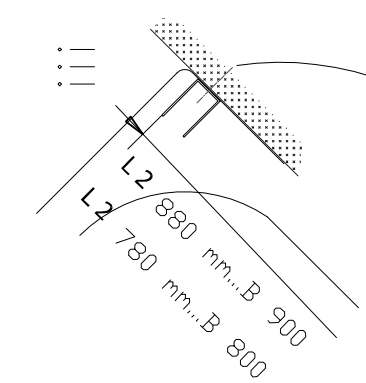
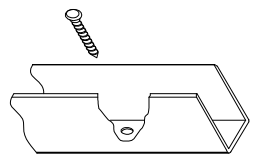
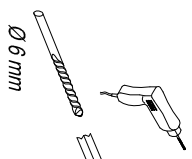
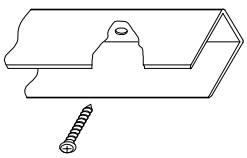
Tip	L 1 (mm)	Tip	L 2 (mm)
120	1180	80	780
140	1380	90	880



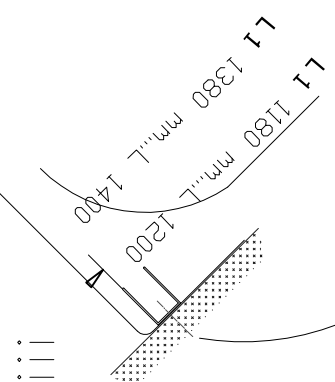
-b-



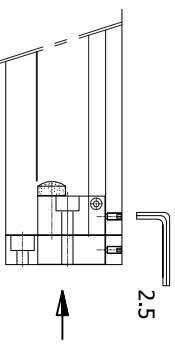
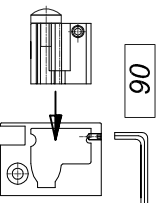
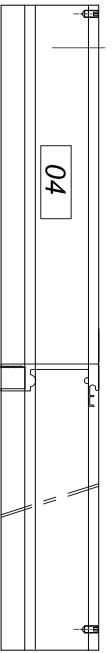
4 kom 4 x 40



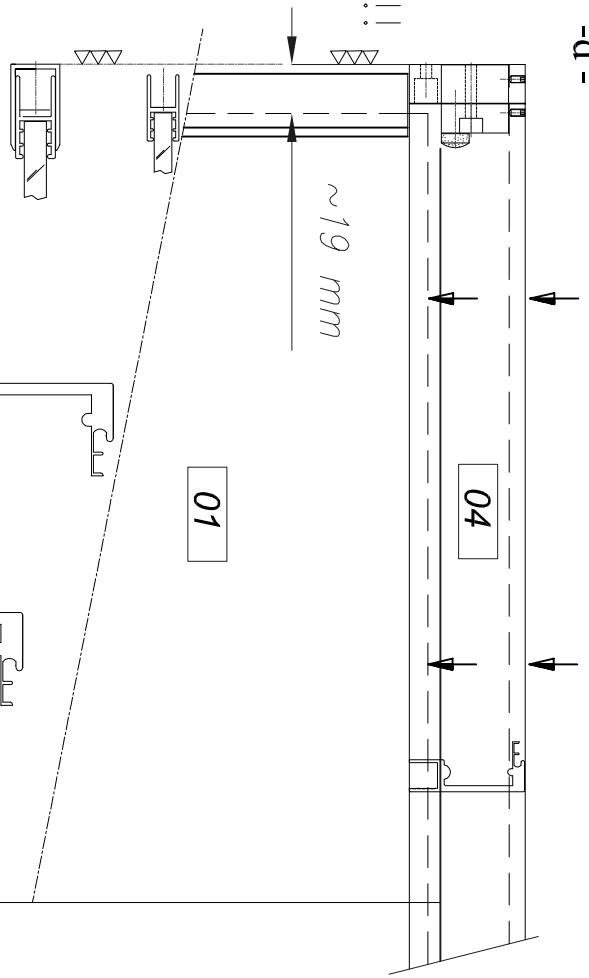
-3-



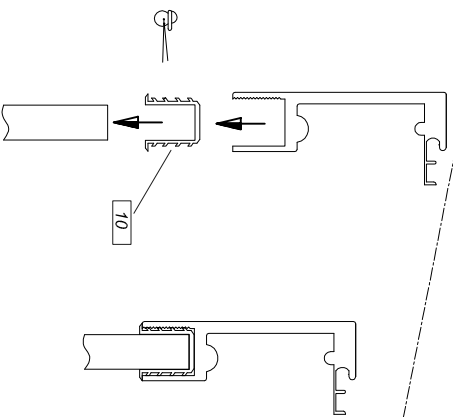
-C-

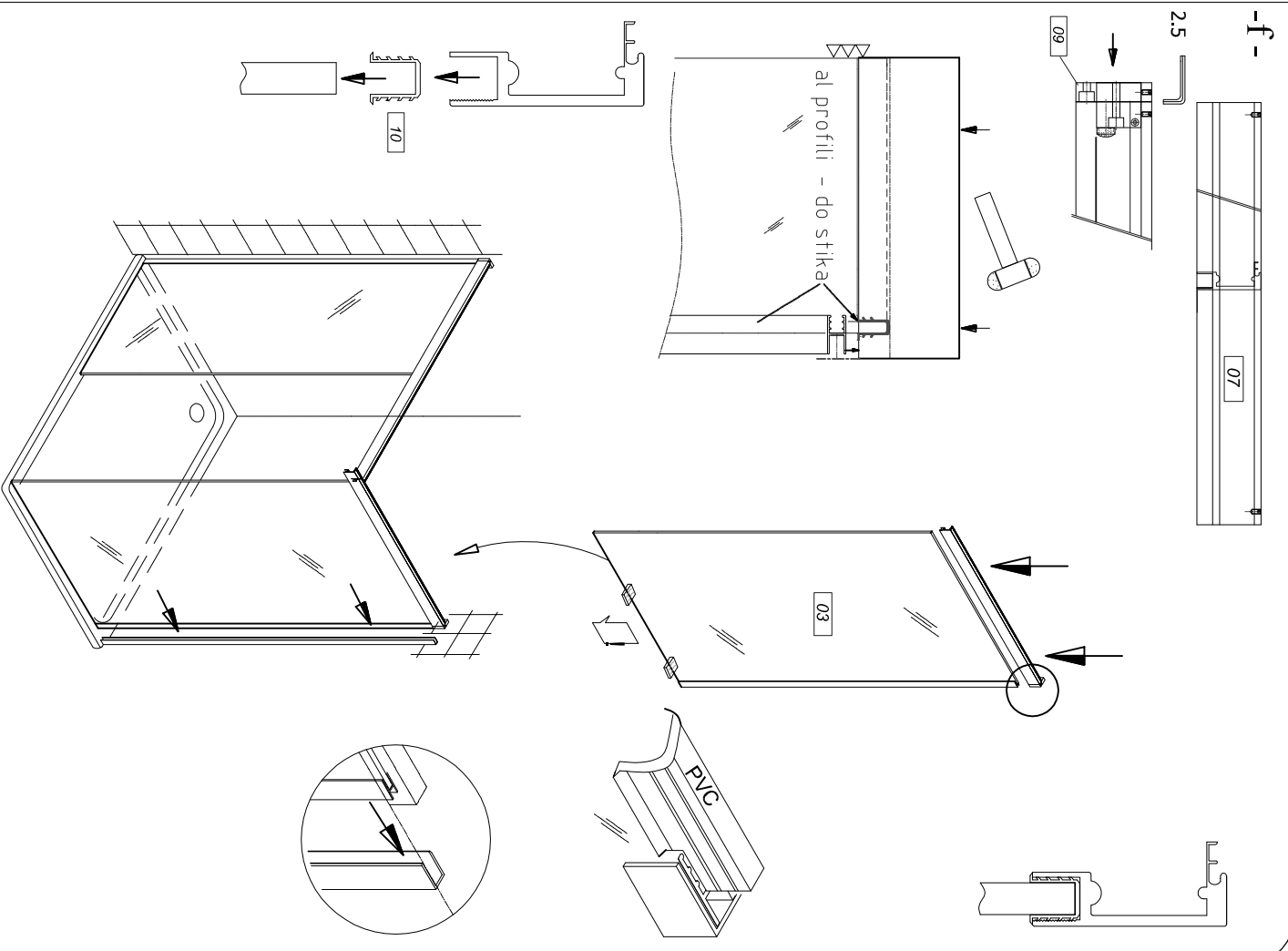
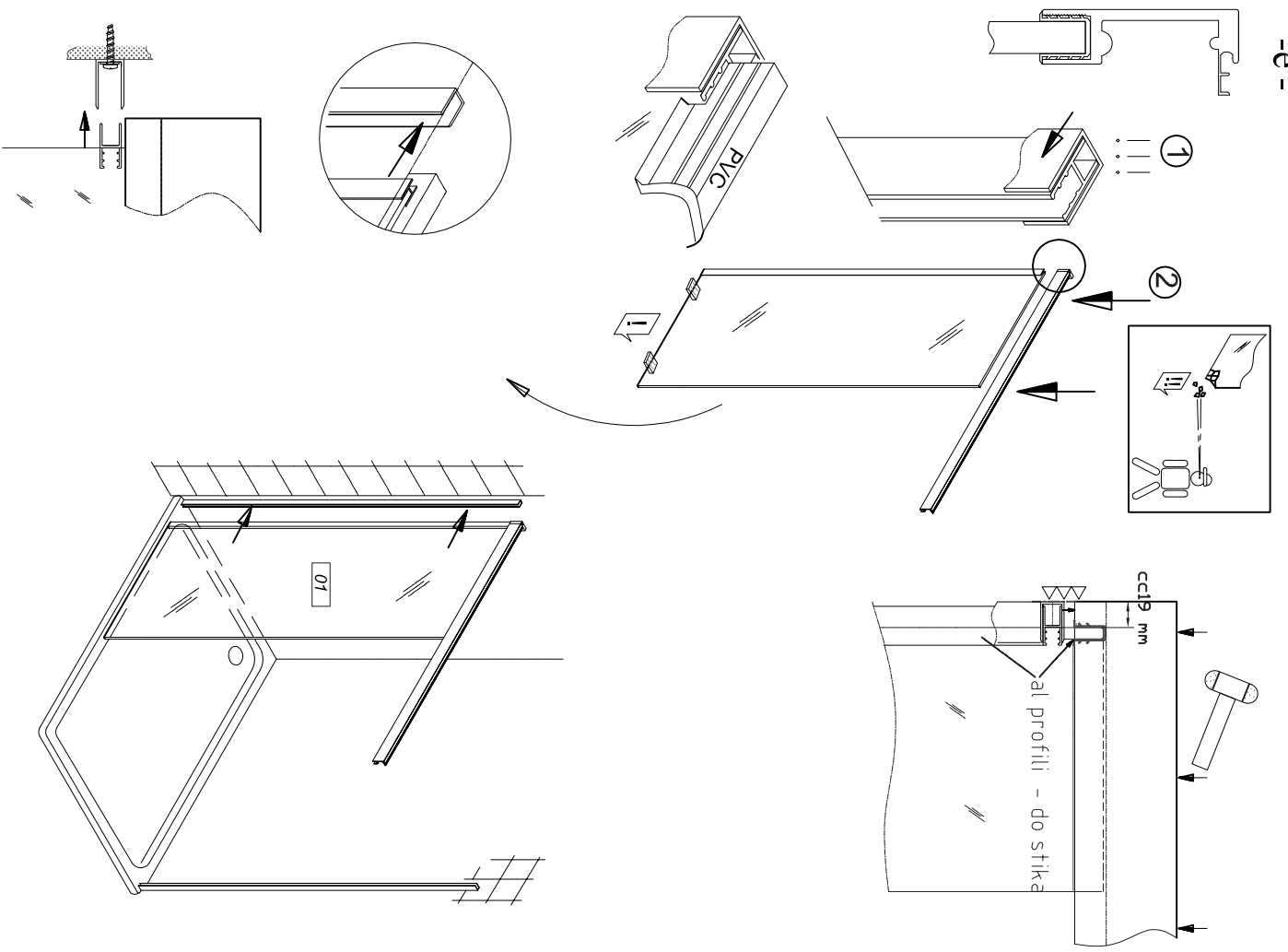


-d-

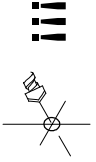
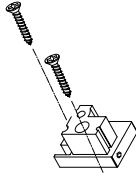
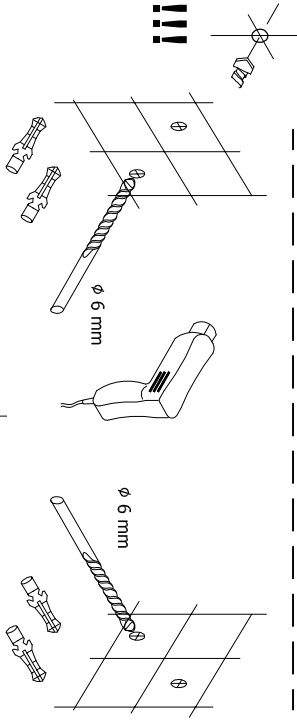
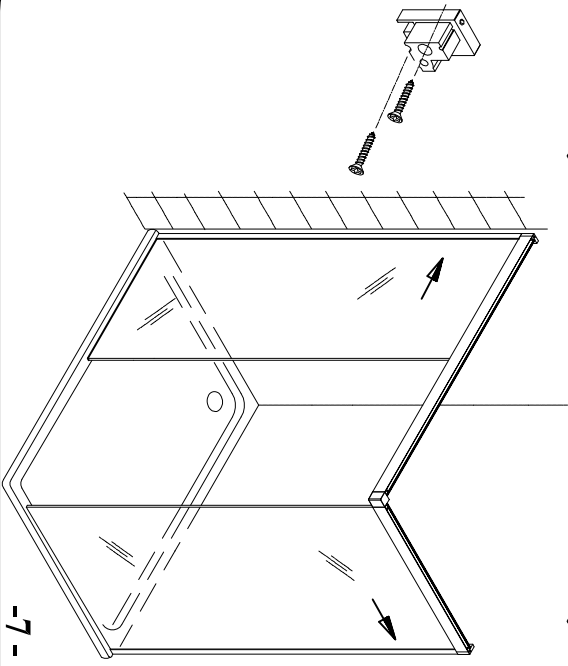


-4-

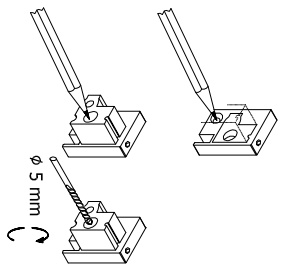
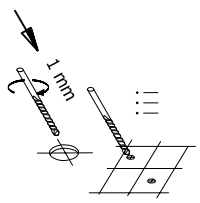
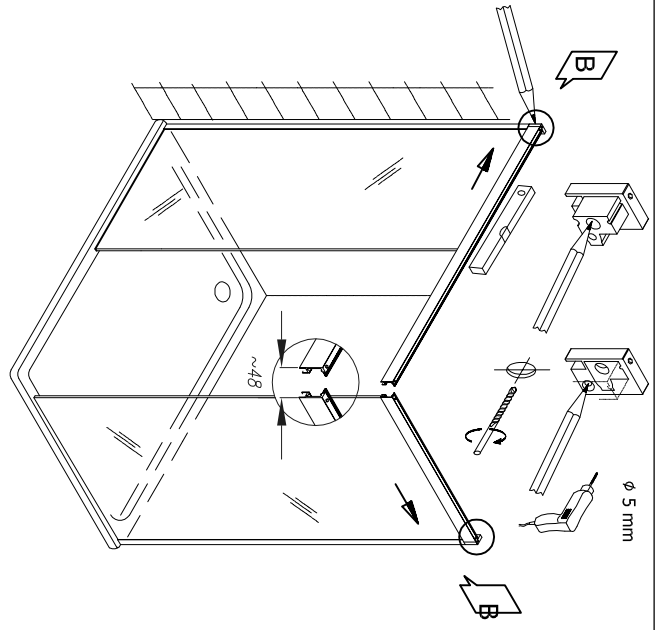




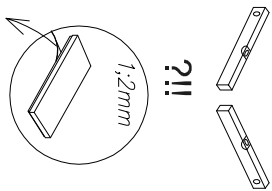
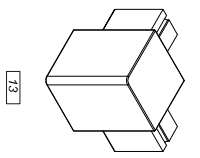
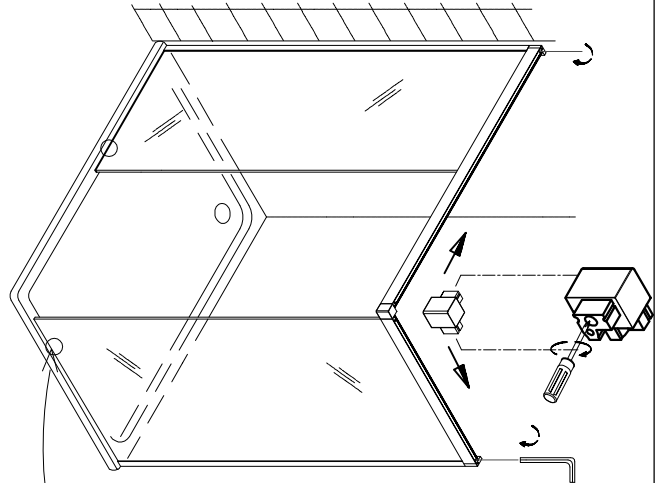
-7-



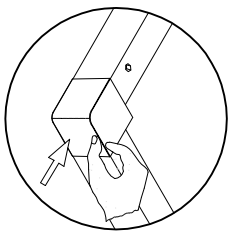
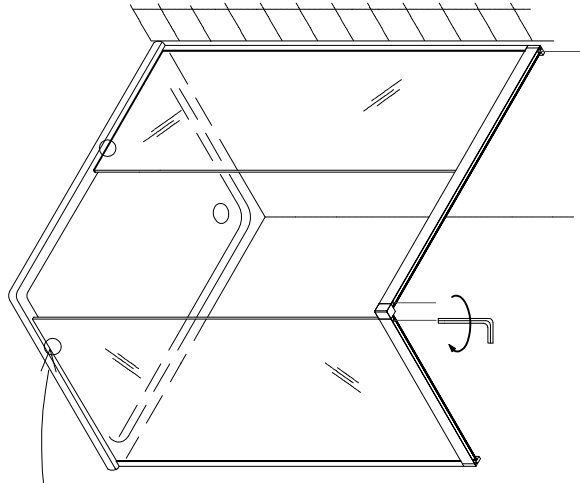
-5-



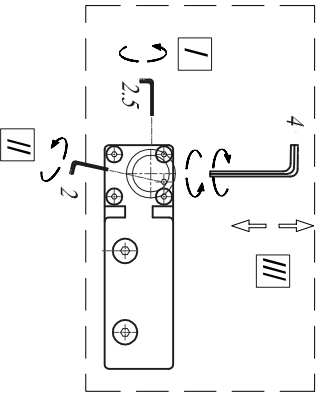
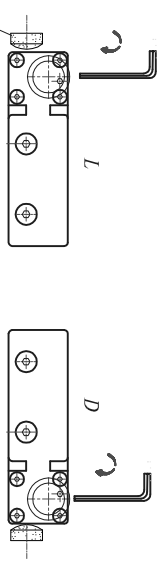
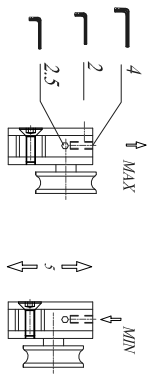
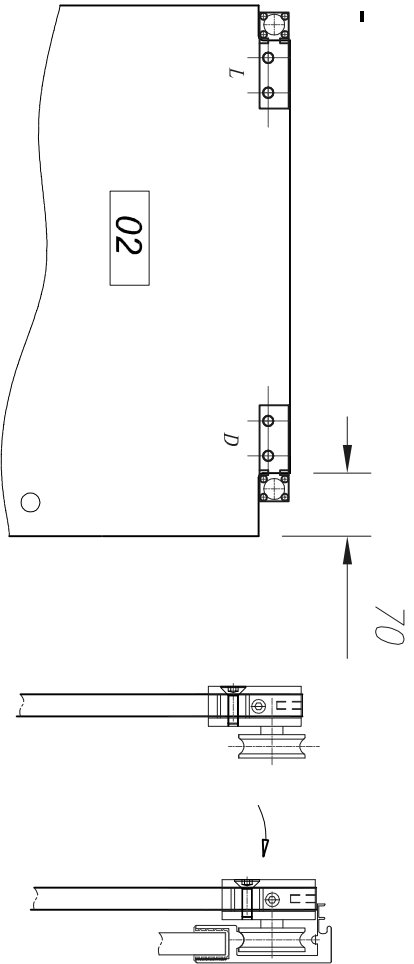
-5-



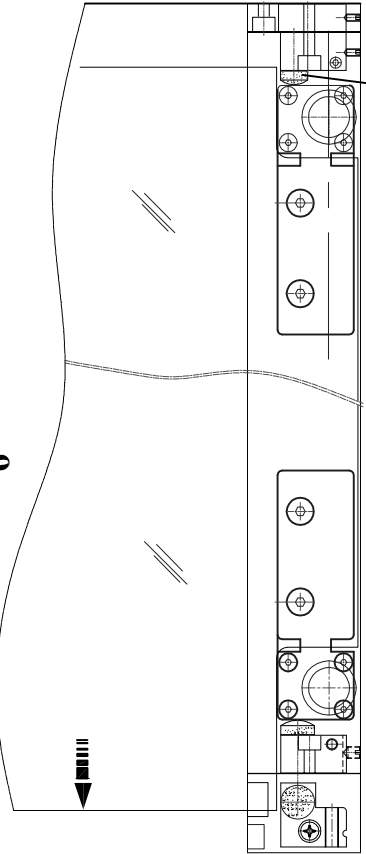
-8-



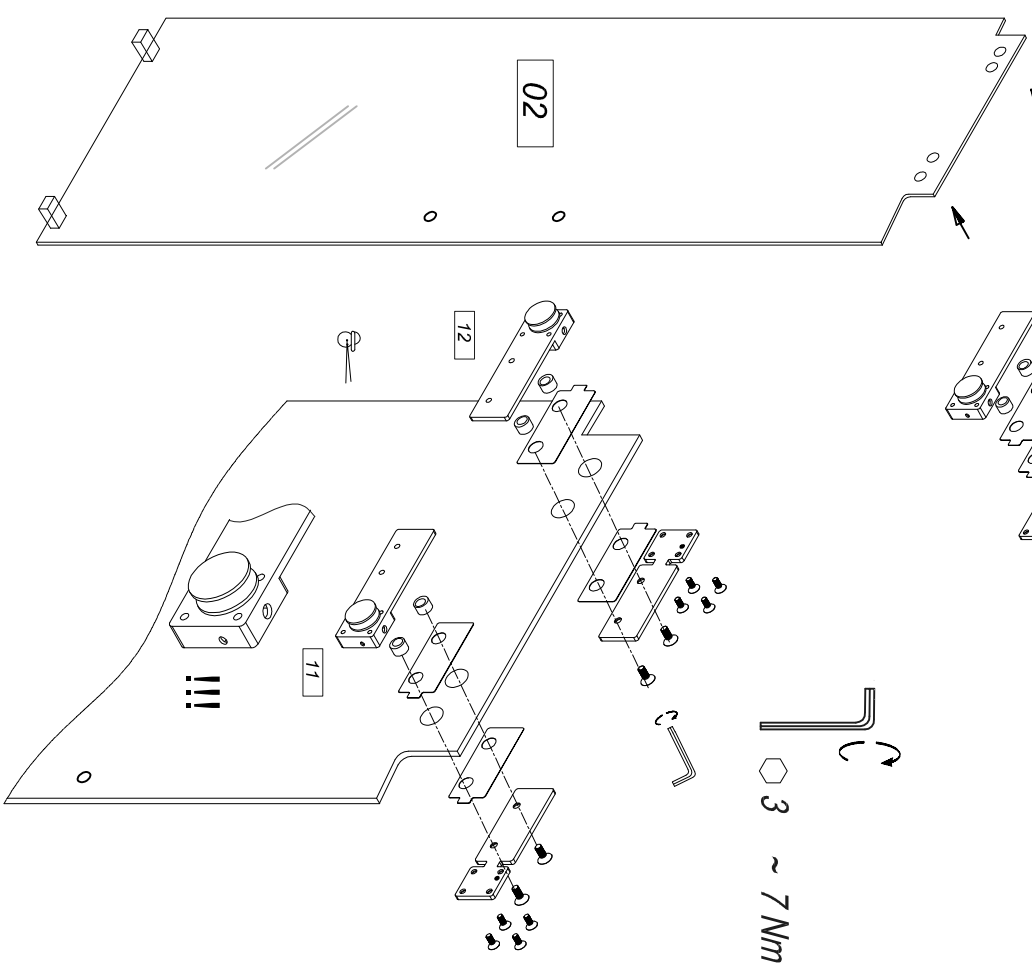
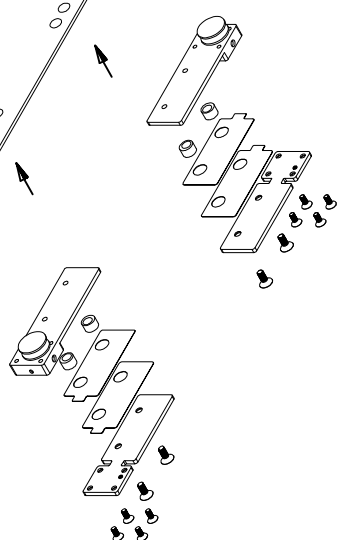
-h-



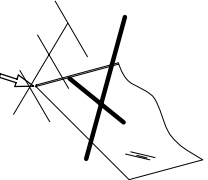
zadnji grančnik



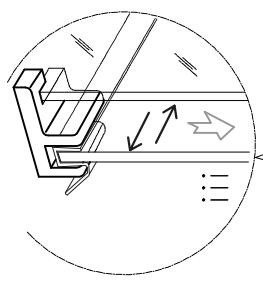
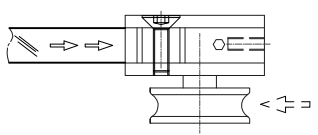
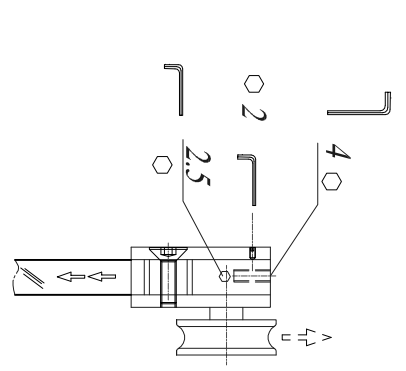
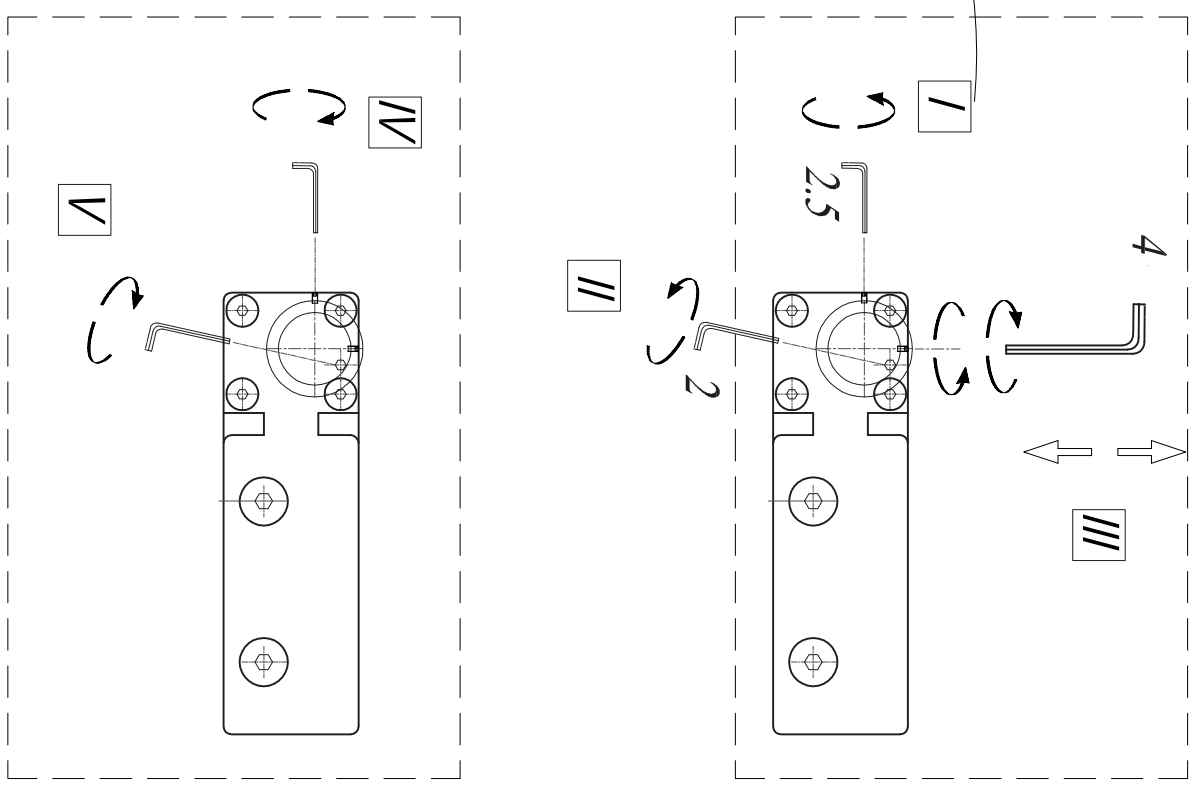
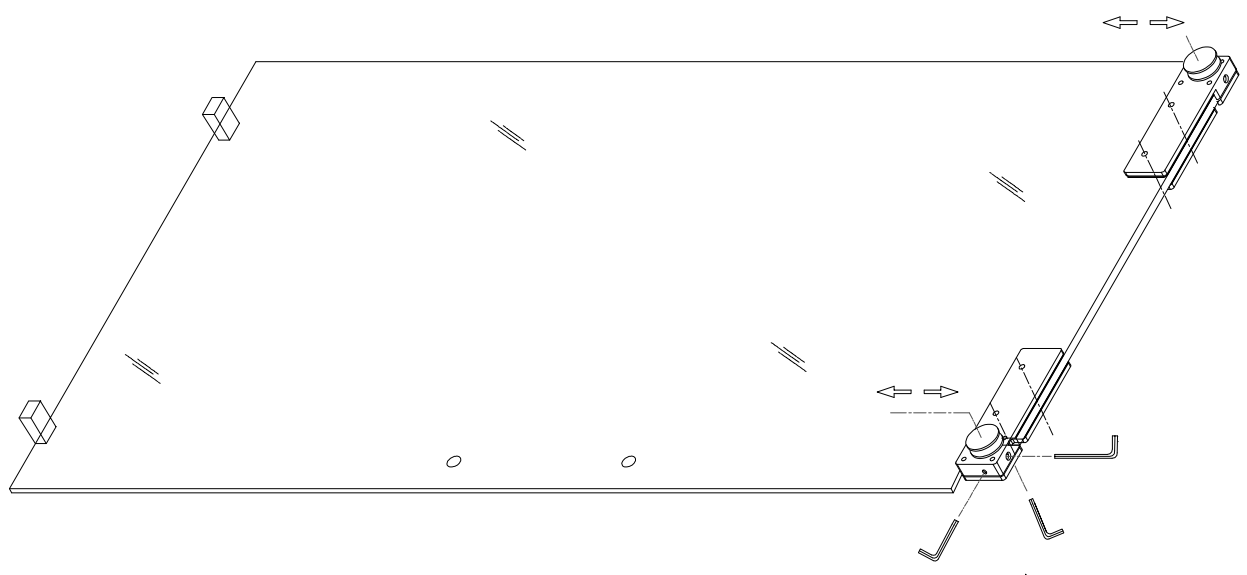
-9-



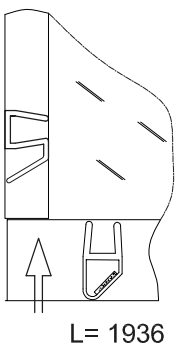
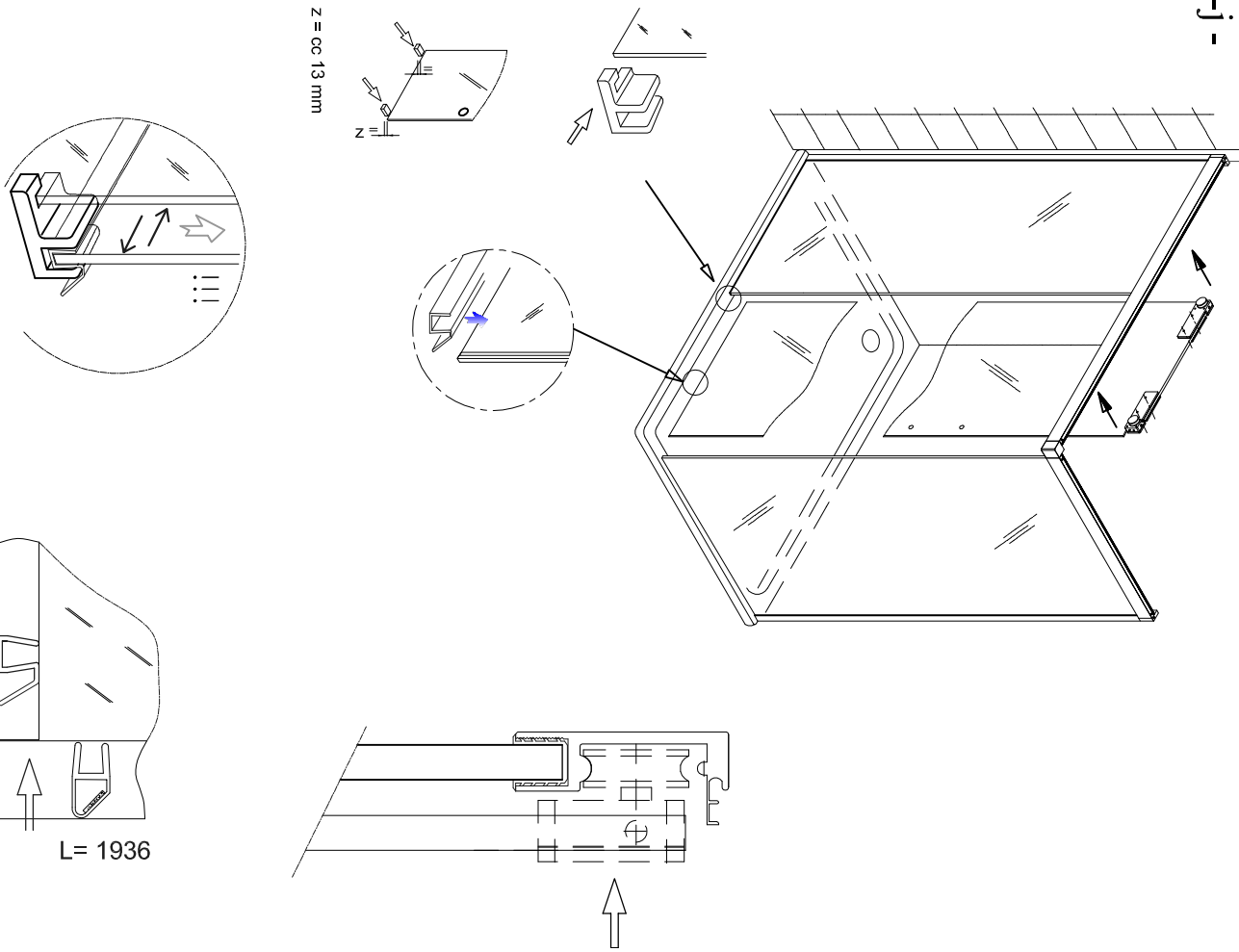
3 ~ 7 Nm



-10-

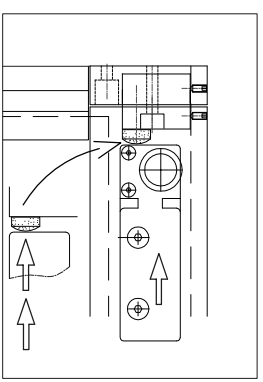
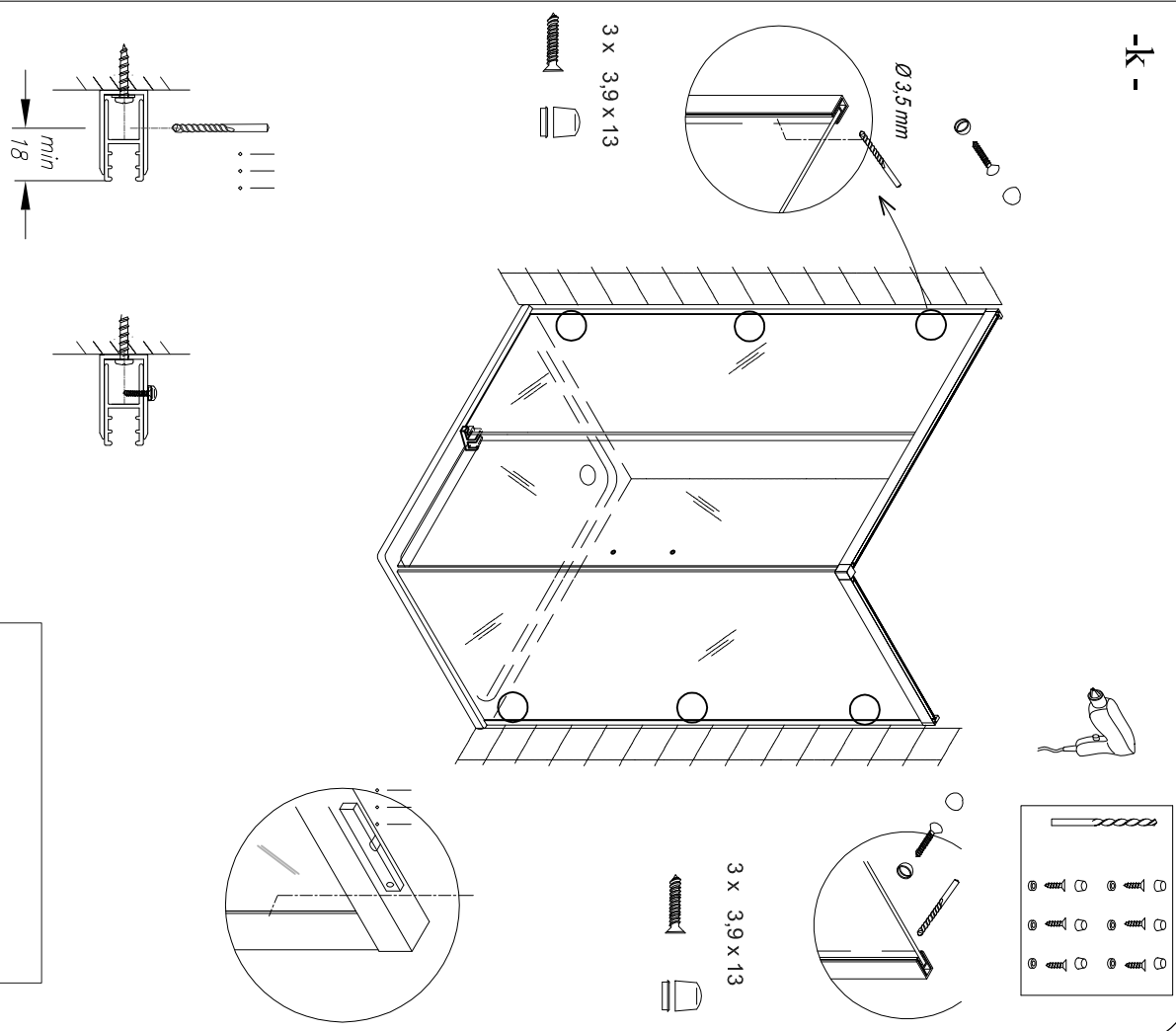


-j-



-12-

-k-



-13-

