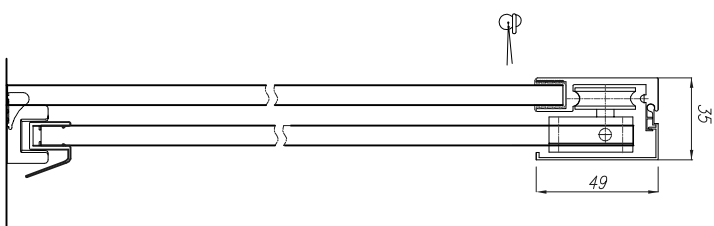
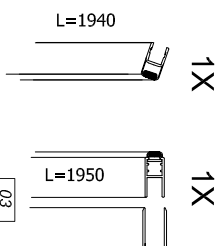
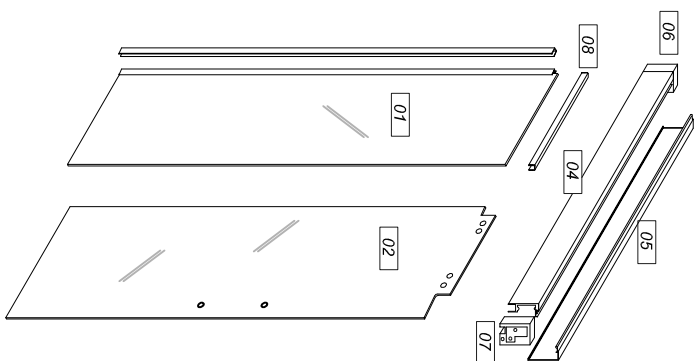
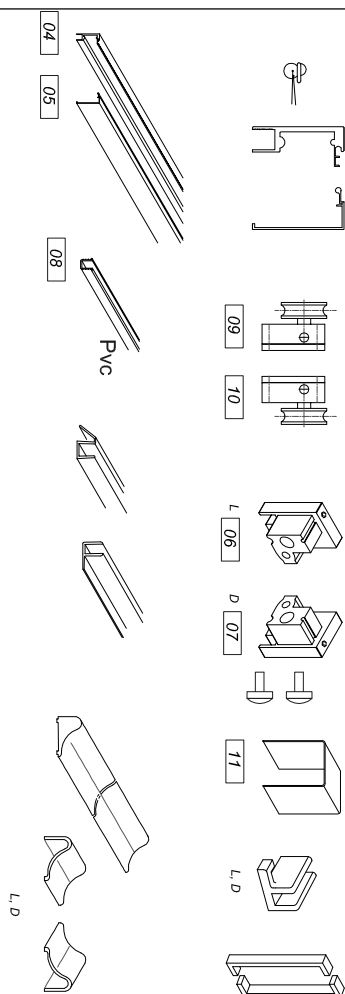
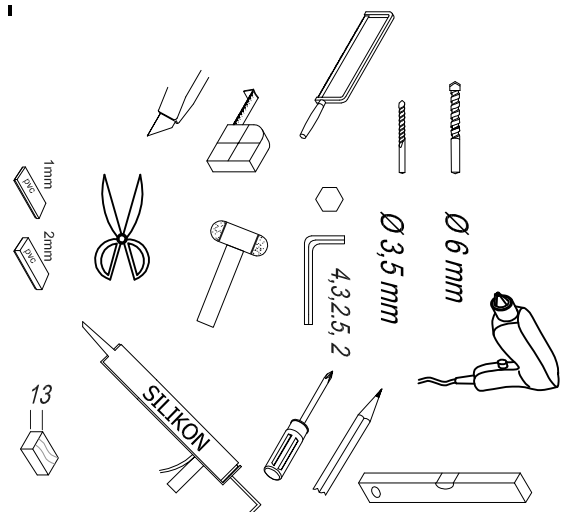
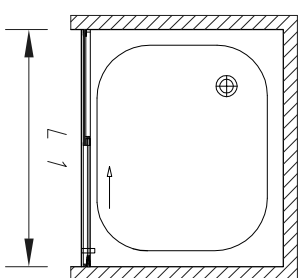
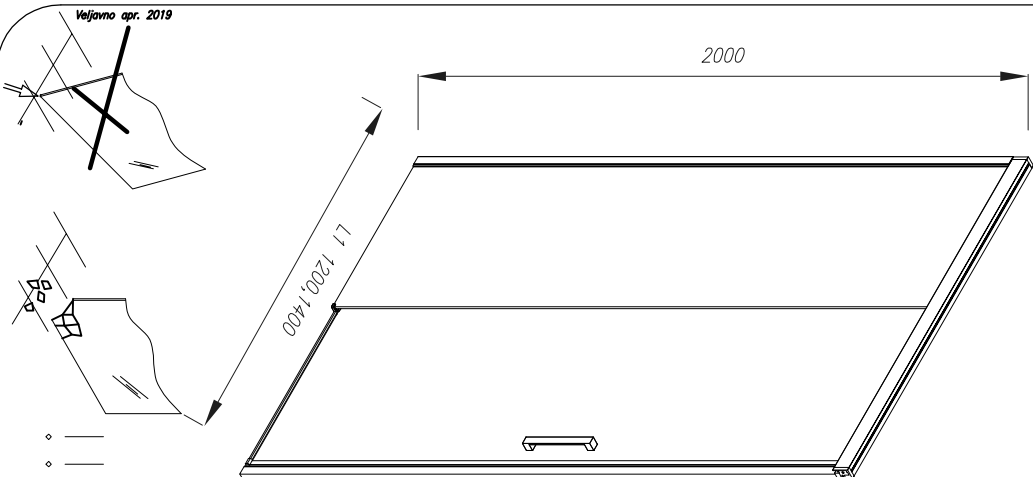
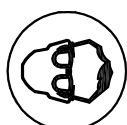
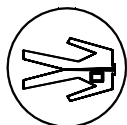
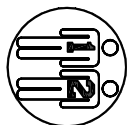
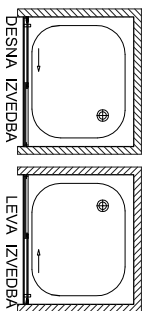
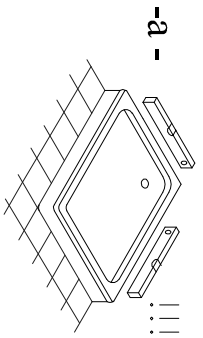
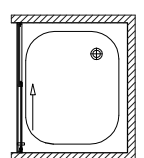


	L1		
TVs 120	1185 - 1200	2000	497
TVs 140	1385 - 1400	2000	597

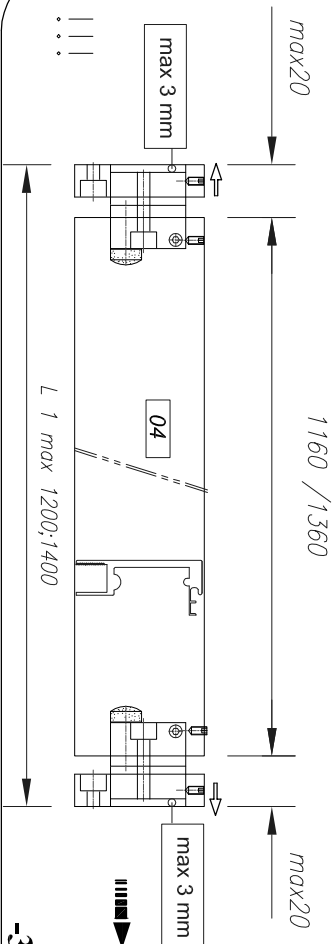
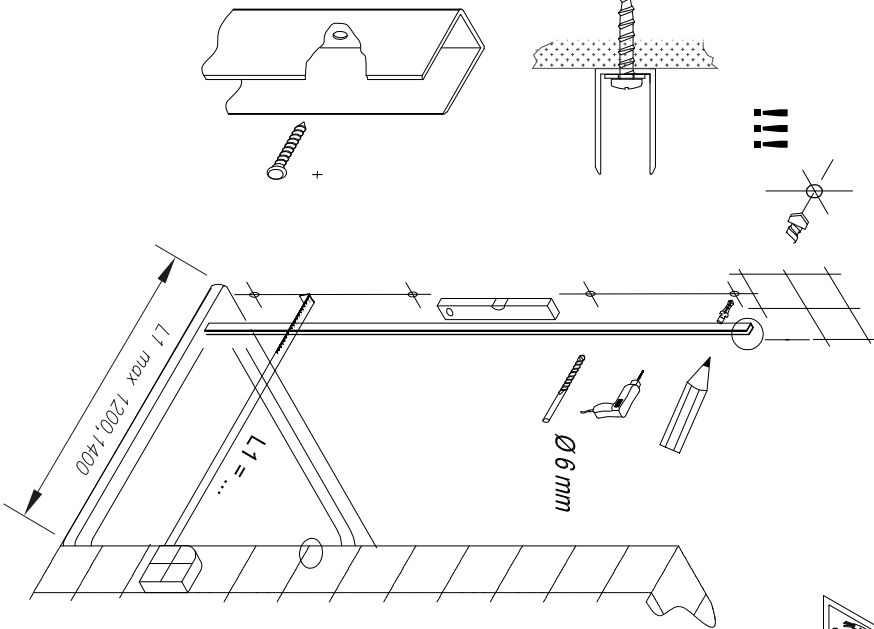
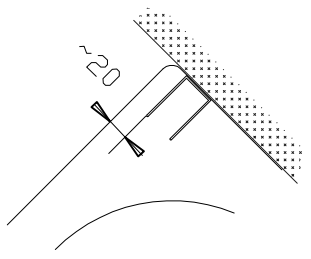
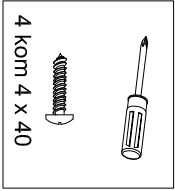
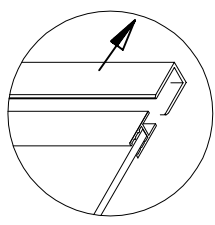




Tip	L 1 (mm)
120	1185-1200
140	1385-1400

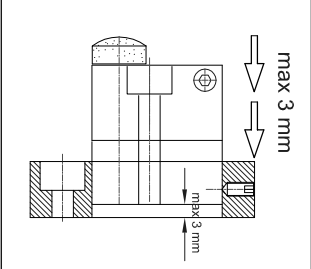
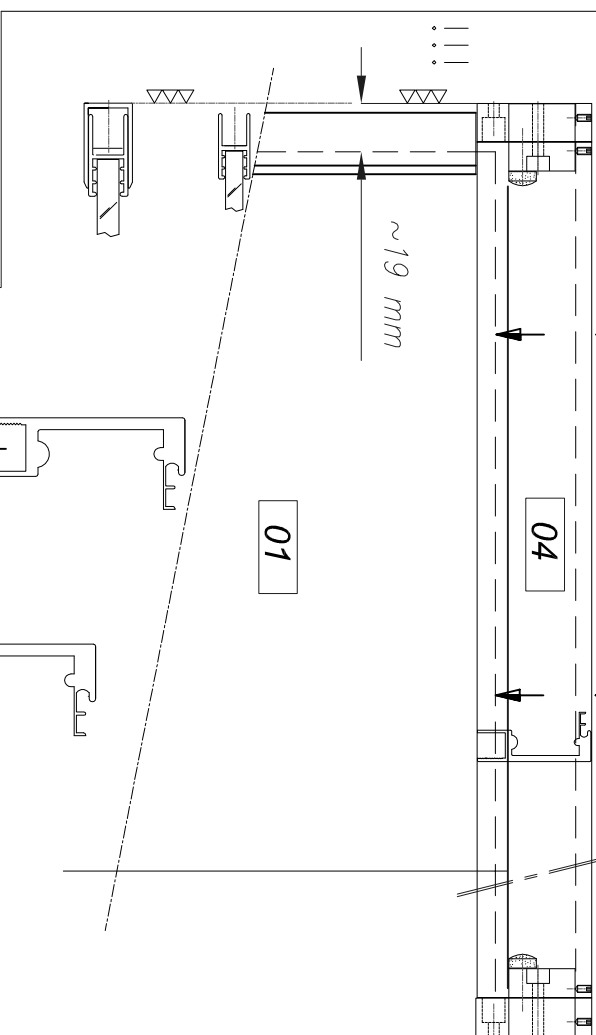
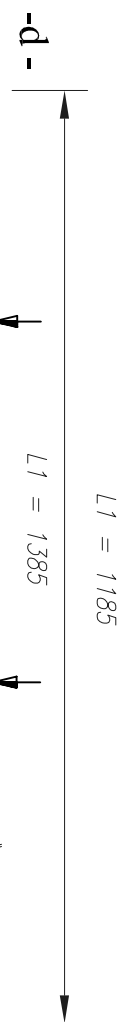
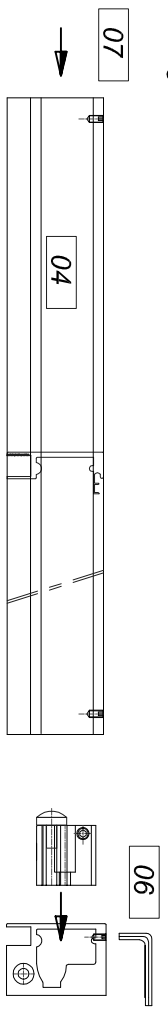


-b-

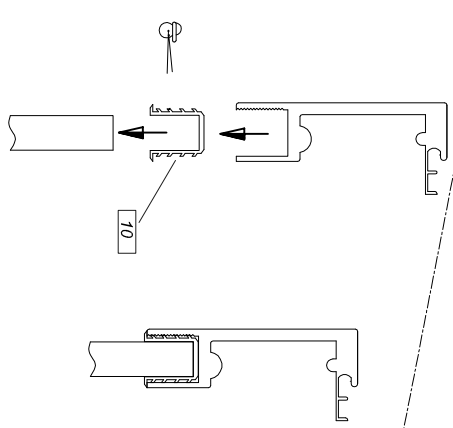


-3-

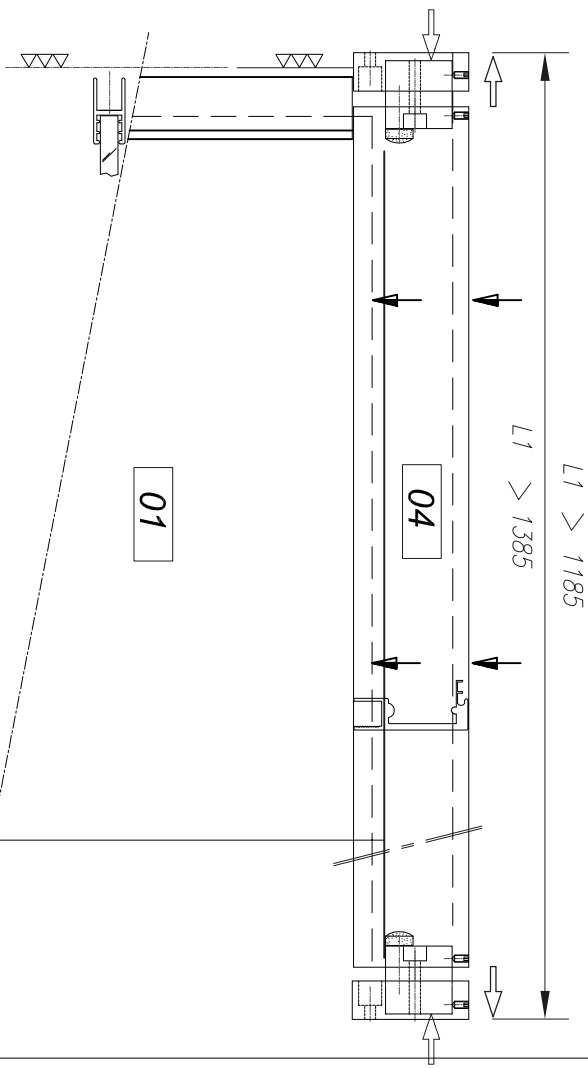
-c-



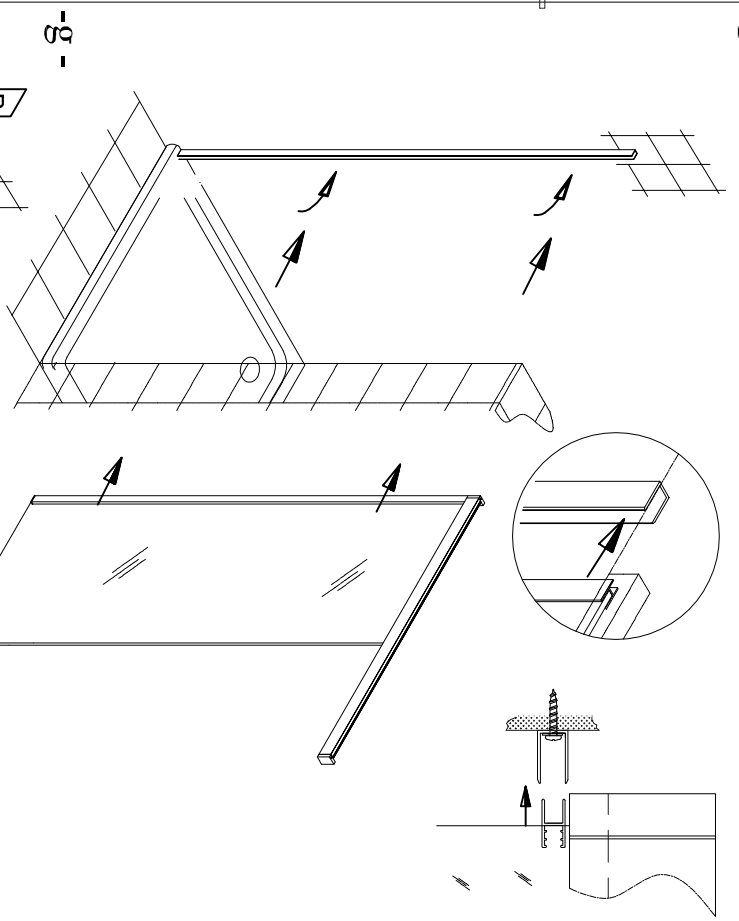
-4-



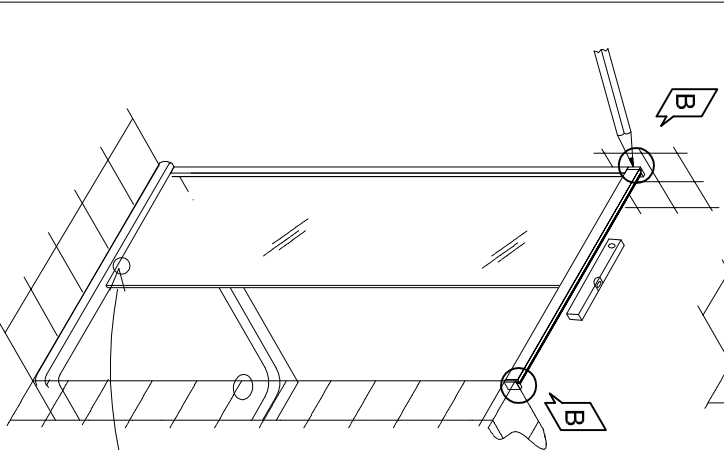
-e-



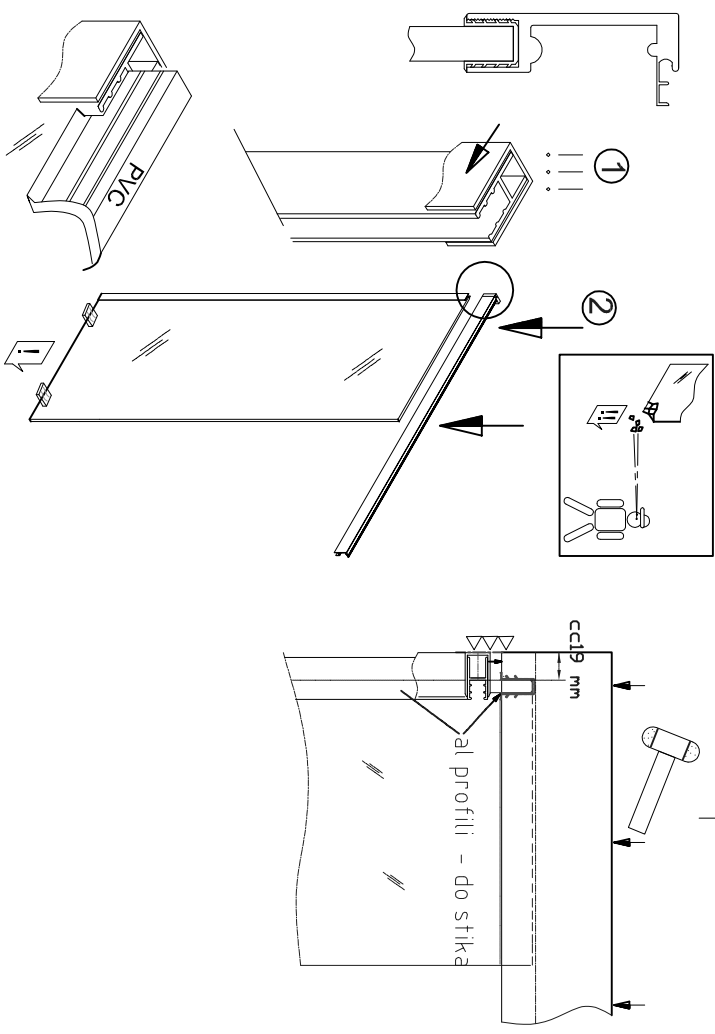
-f-



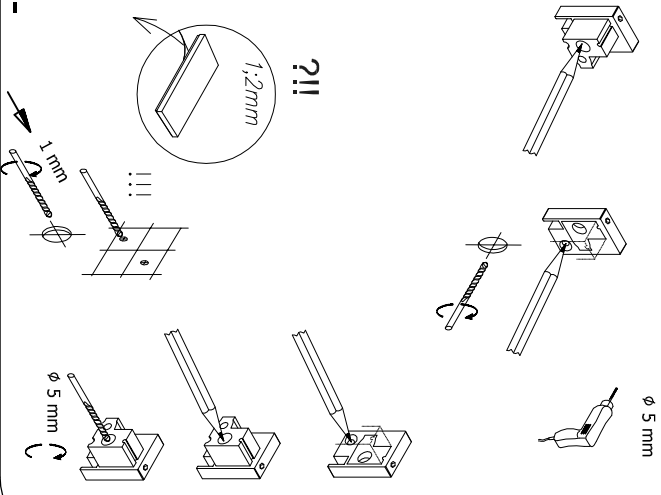
-g-



-5-



-6-



ø 5 mm

1:2mm

ø 5 mm

1 mm

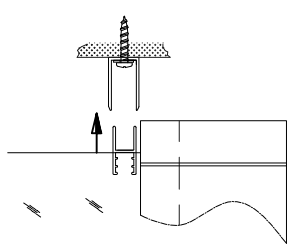
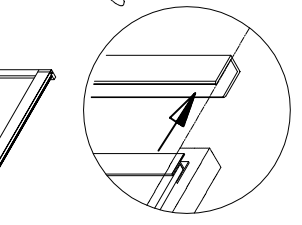
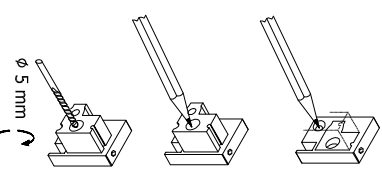
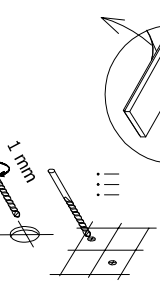
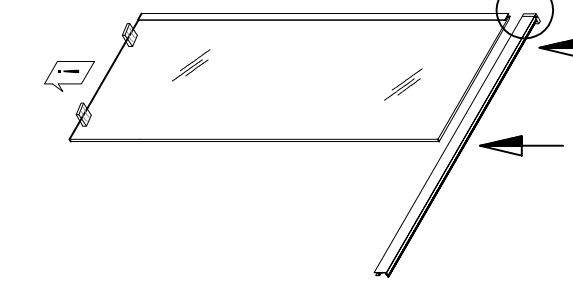
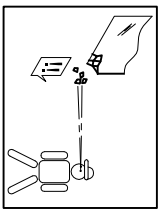
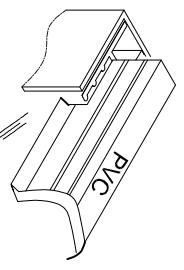
cca 19 mm
al profili - do stika

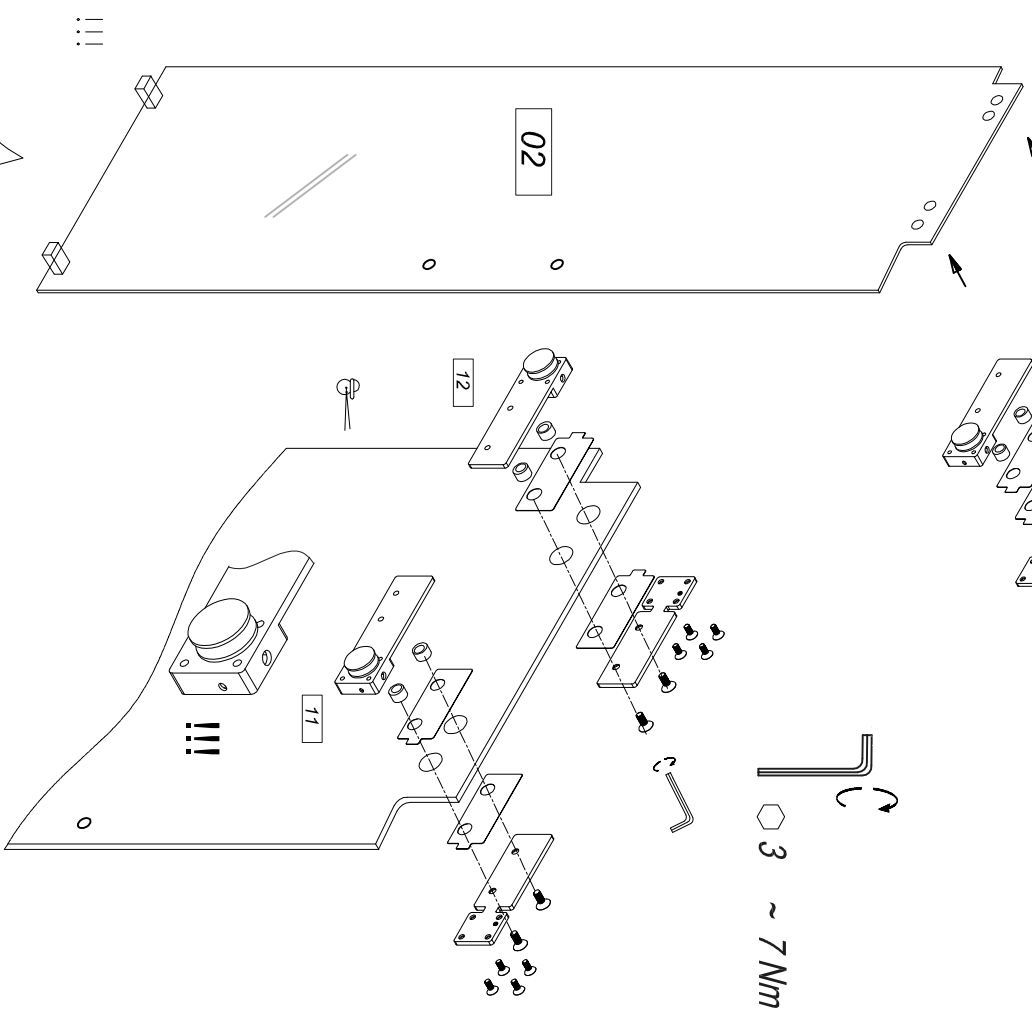
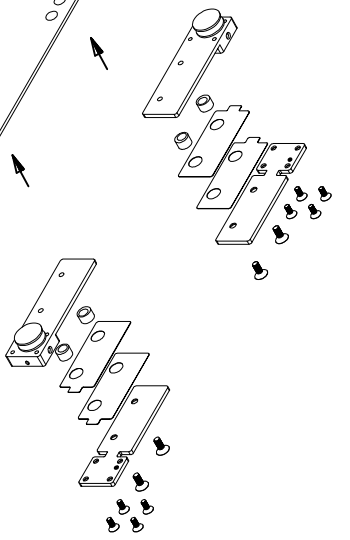
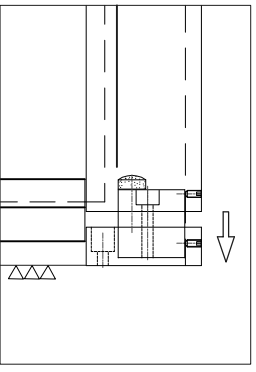
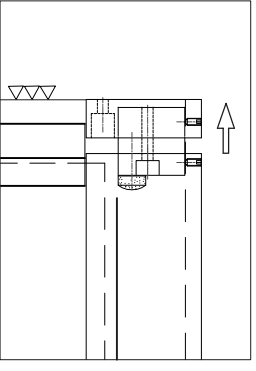
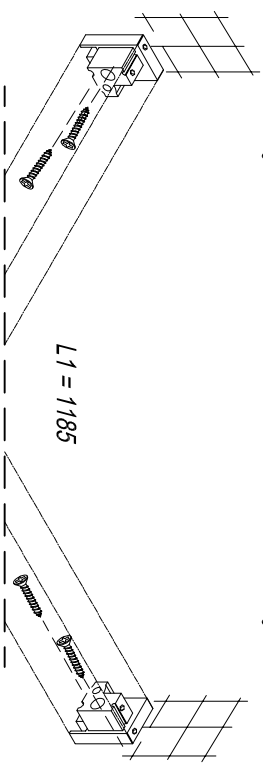
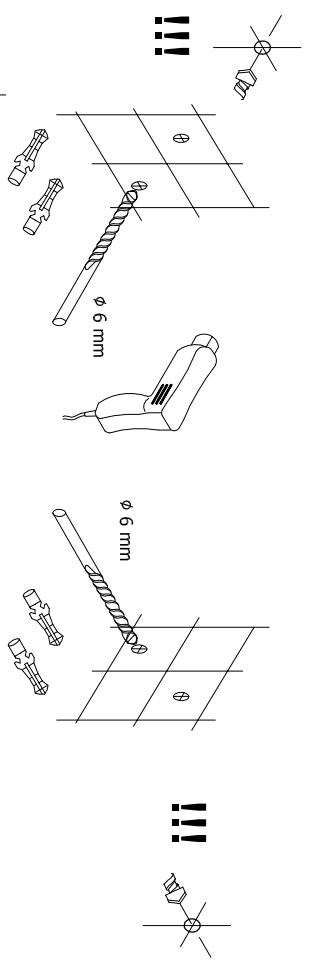
1

2

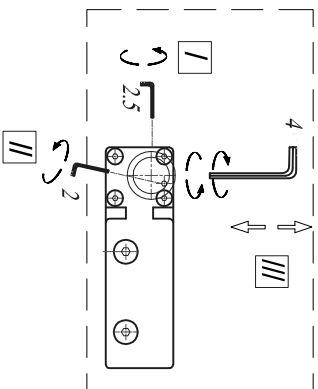
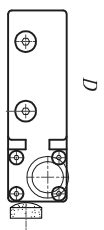
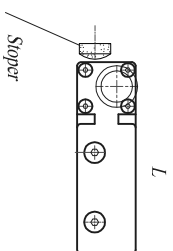
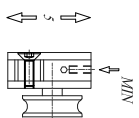
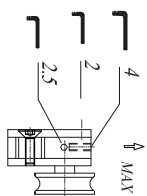
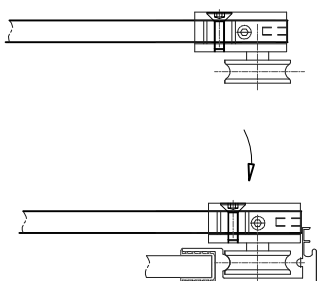
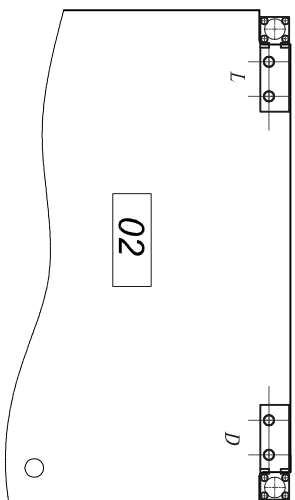
01

04

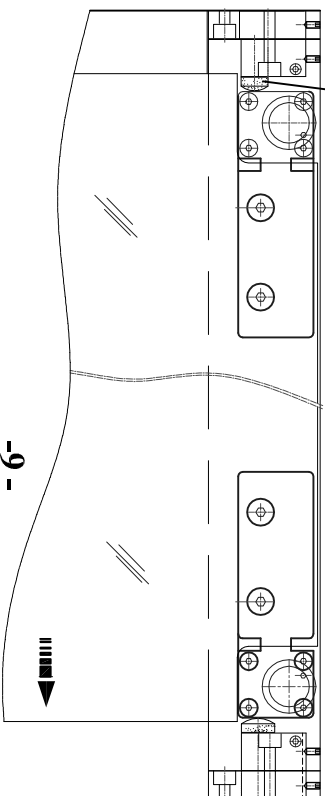




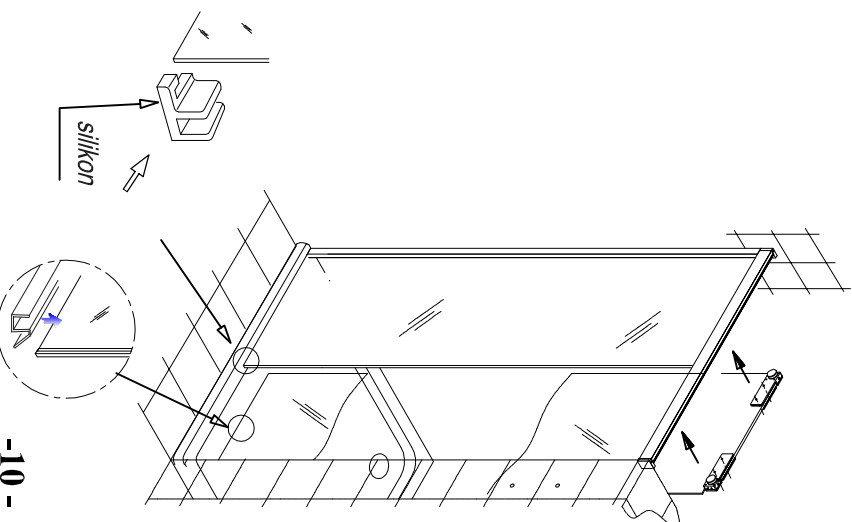
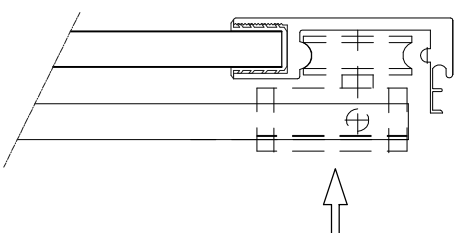
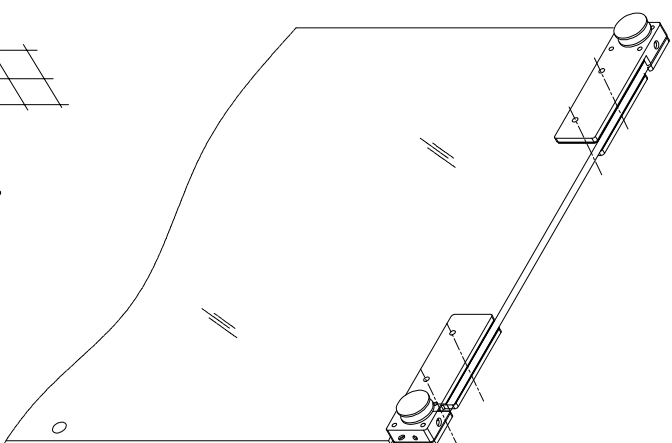
-j-



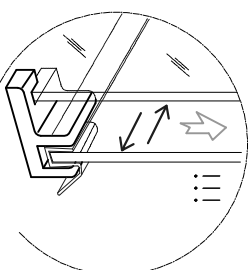
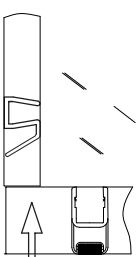
zadnji graničnik

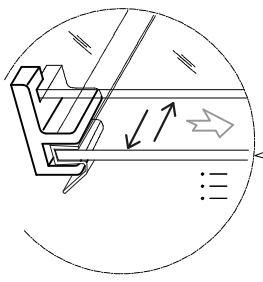
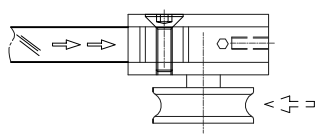
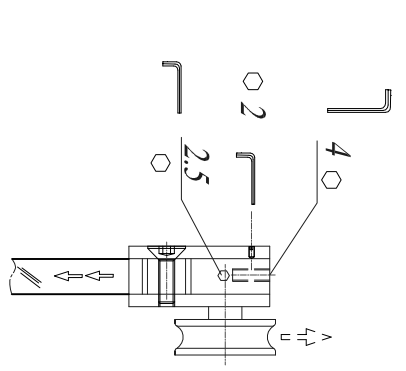
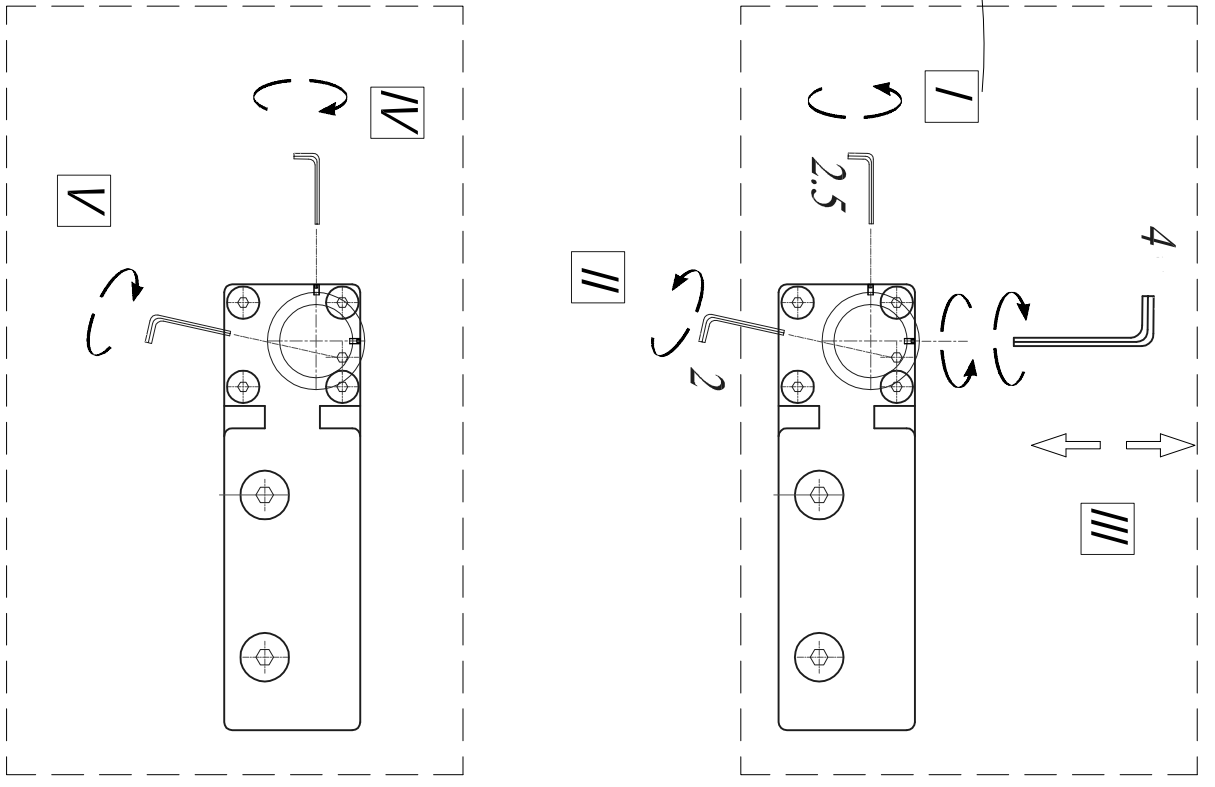
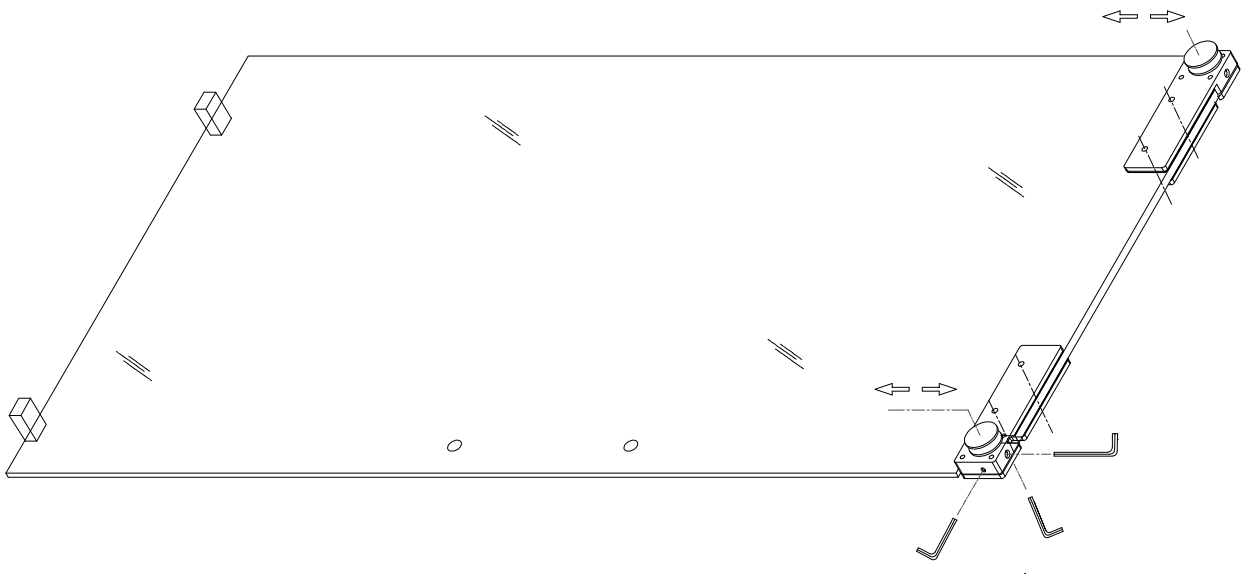


-k-

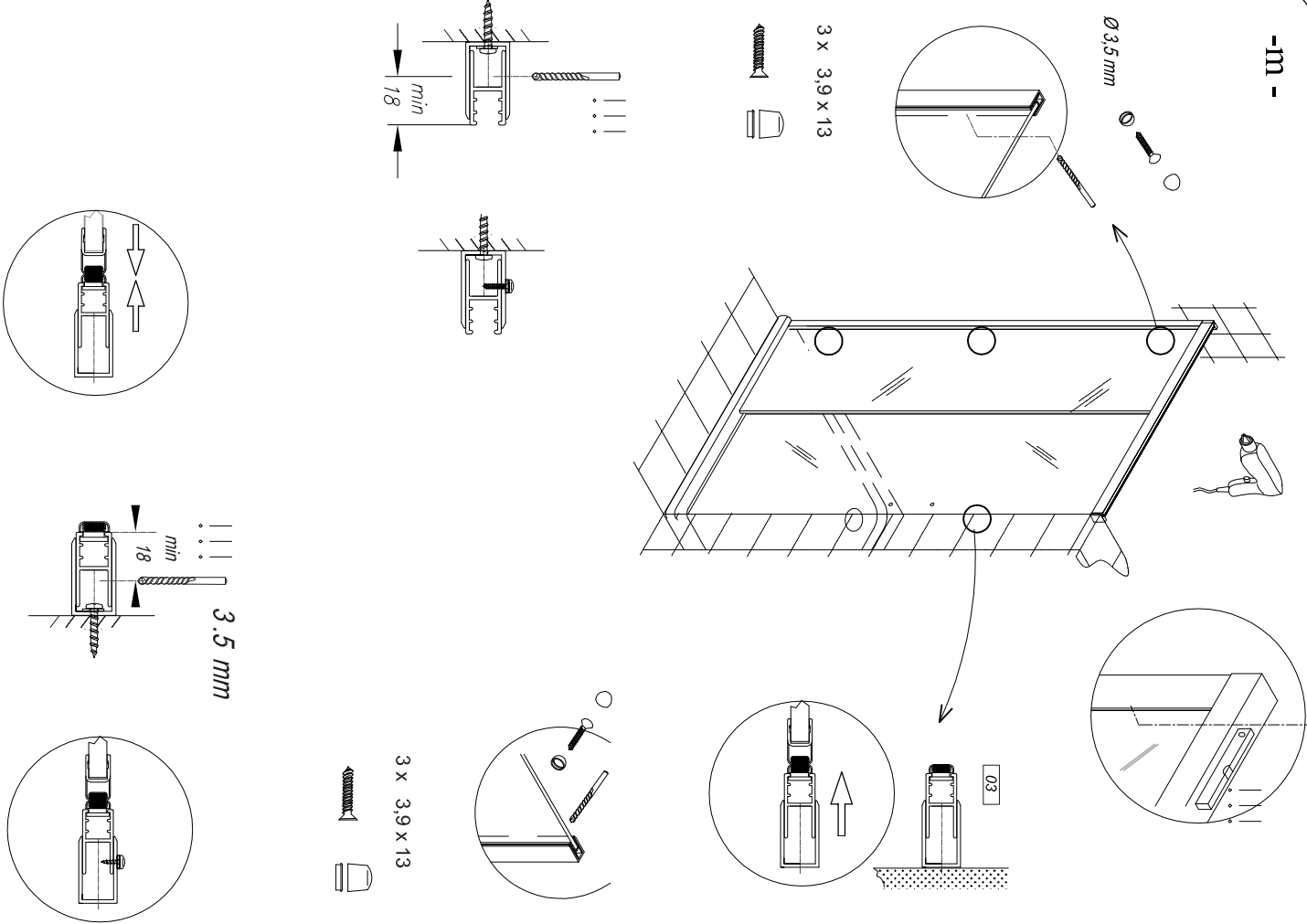


-10-

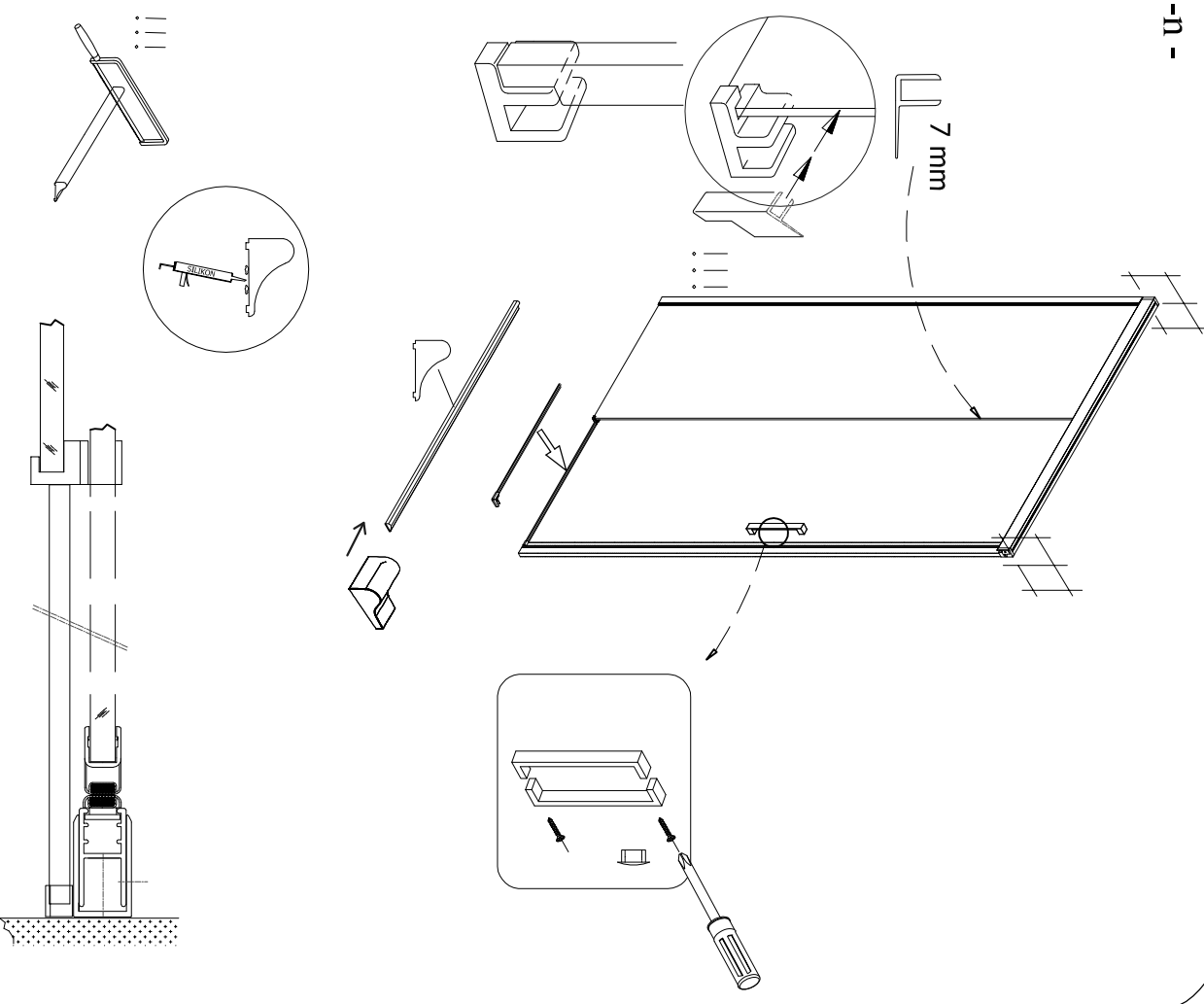




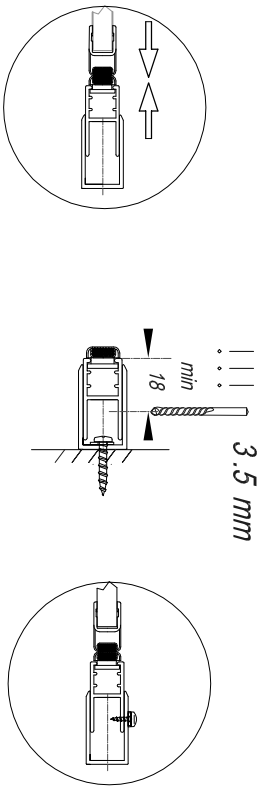
-11 -



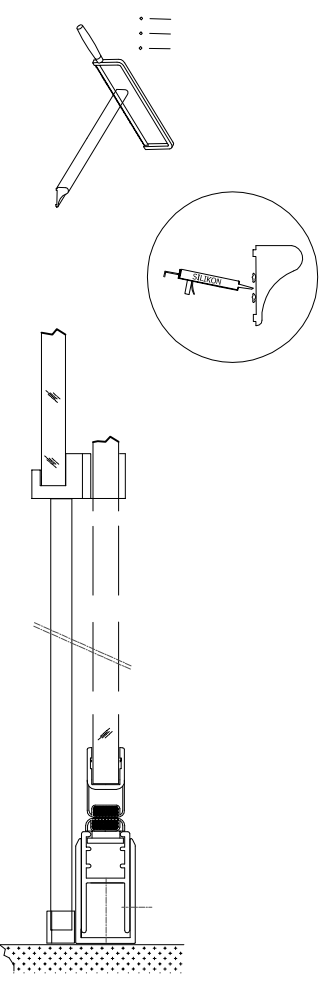
-12 -

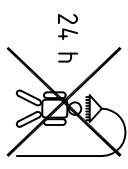
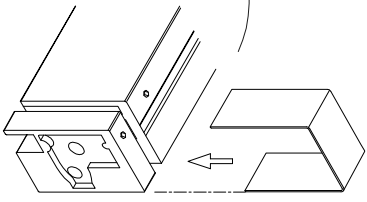
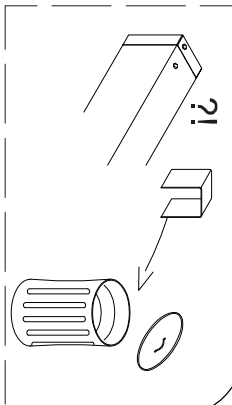
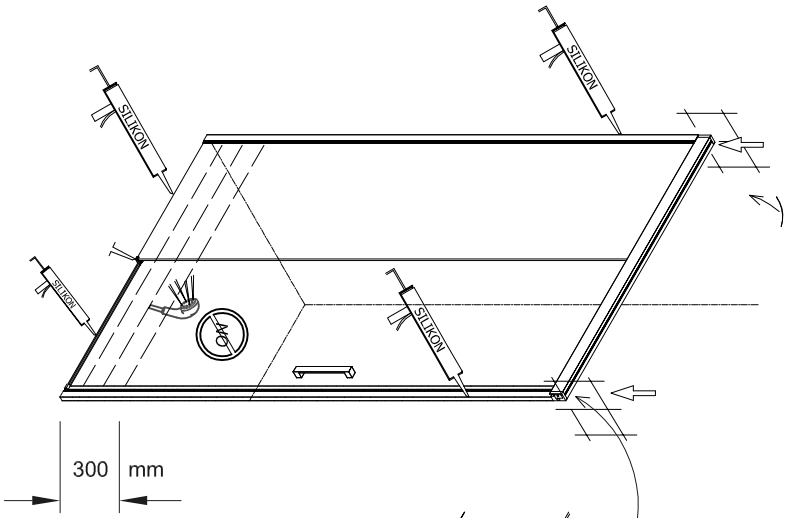
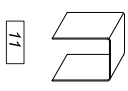
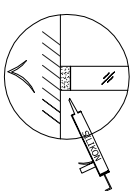
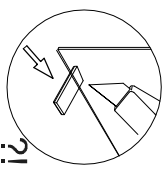
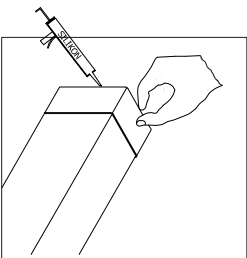
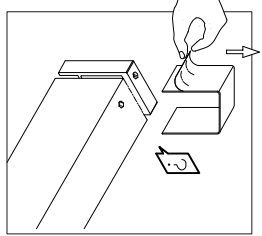
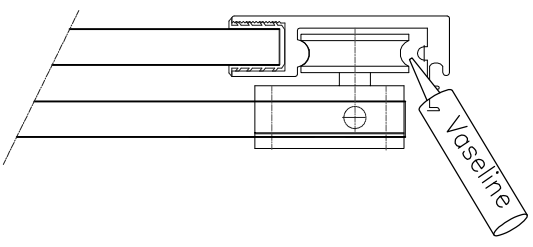
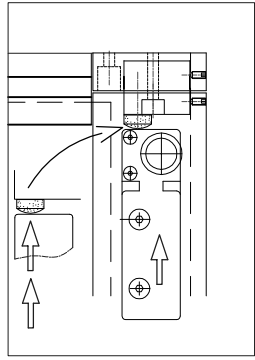
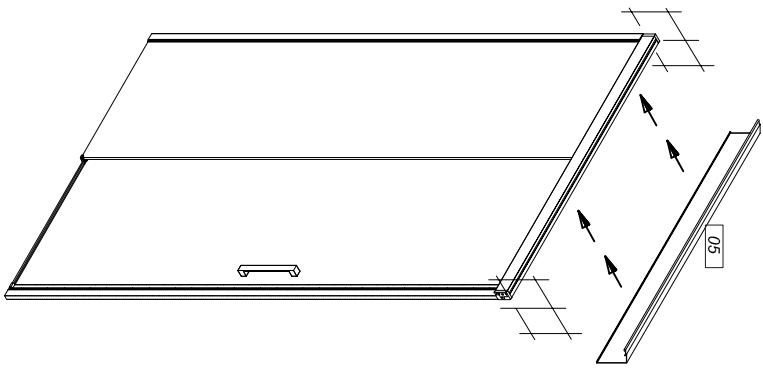
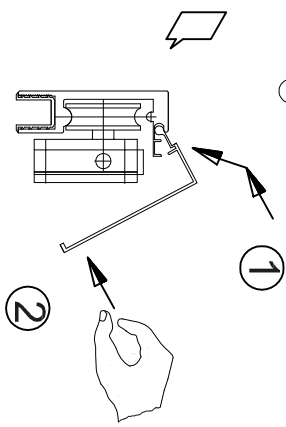
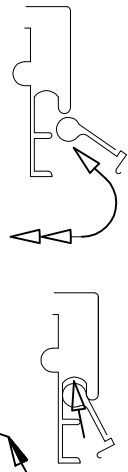


-12 -



-13 -





24 h