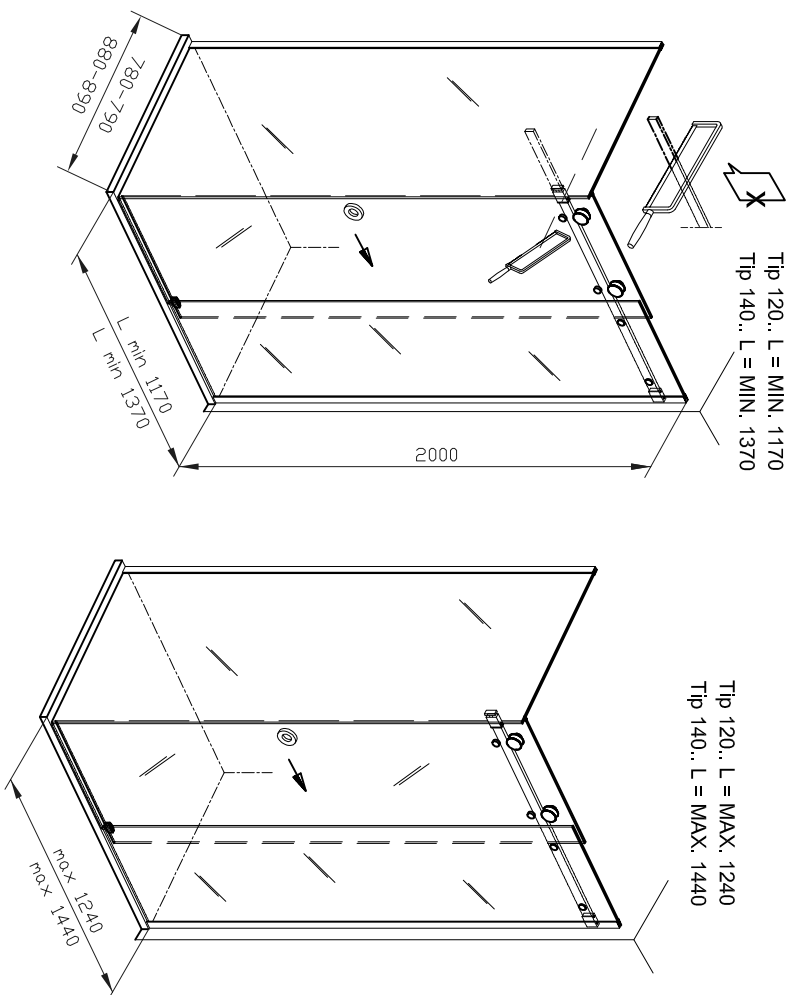
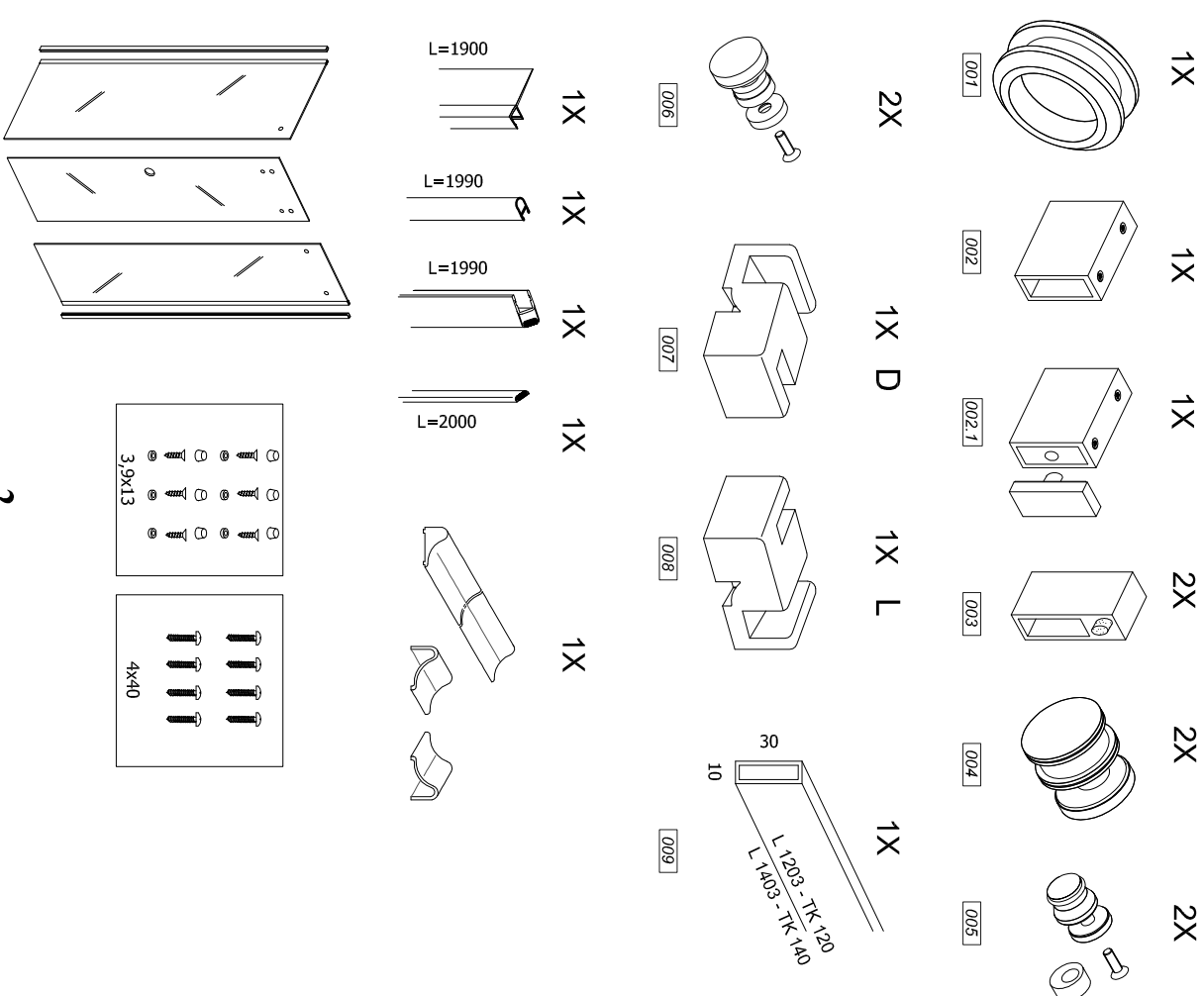


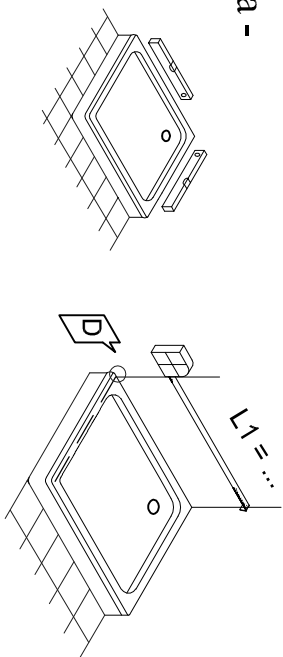
TK 120x80	1170-1240 x780-790	2000	500 /570
TK 120x90	1170-1240 x880-890	2000	500 /570
TK 140x80	1370-1440 x780-790	2000	600 /670
TK 140x90	1370-1440 x880-890	2000	600 /670



POZICIE SISTEMA TK

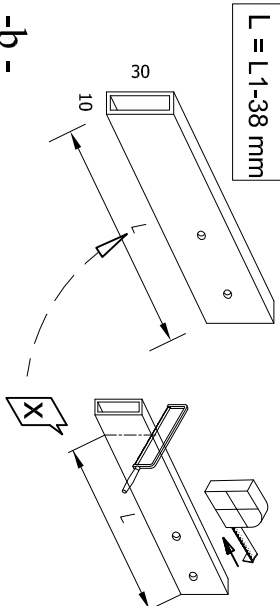


-a-



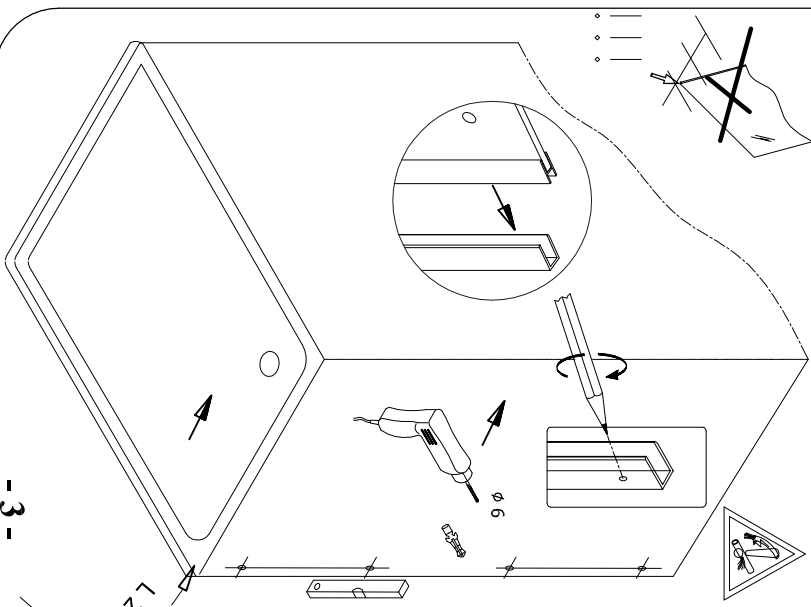
Tip	L 1 (mm)
120	1170-1240
140	1370-1440

L = L1-38 mm

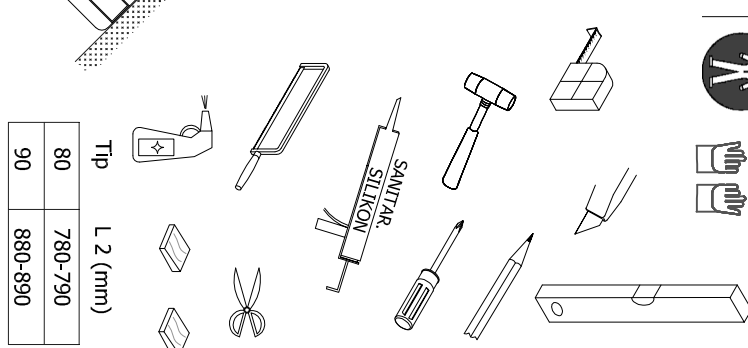


-b-

$\varnothing 6 \text{ mm}$
 $\varnothing 3,5 \text{ mm}$

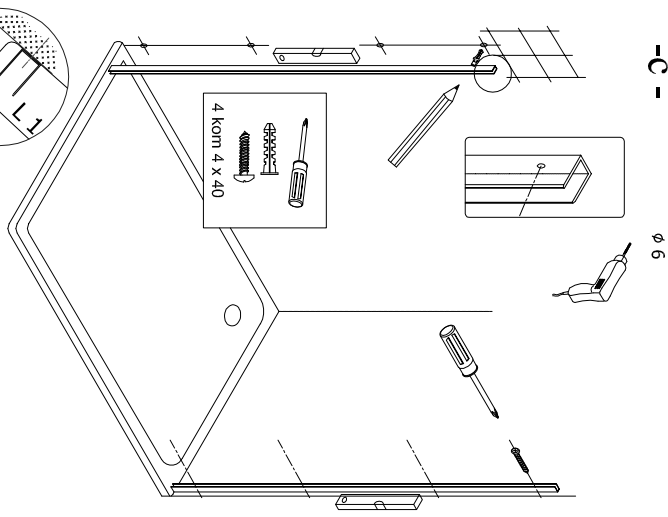


-3-



Tip	L 2 (mm)
80	780-790
90	880-890

-c-

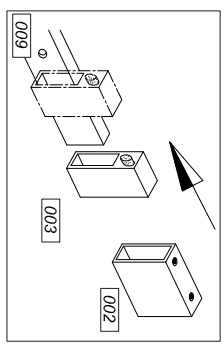


$\varnothing 6$

4 kom 4 x 40

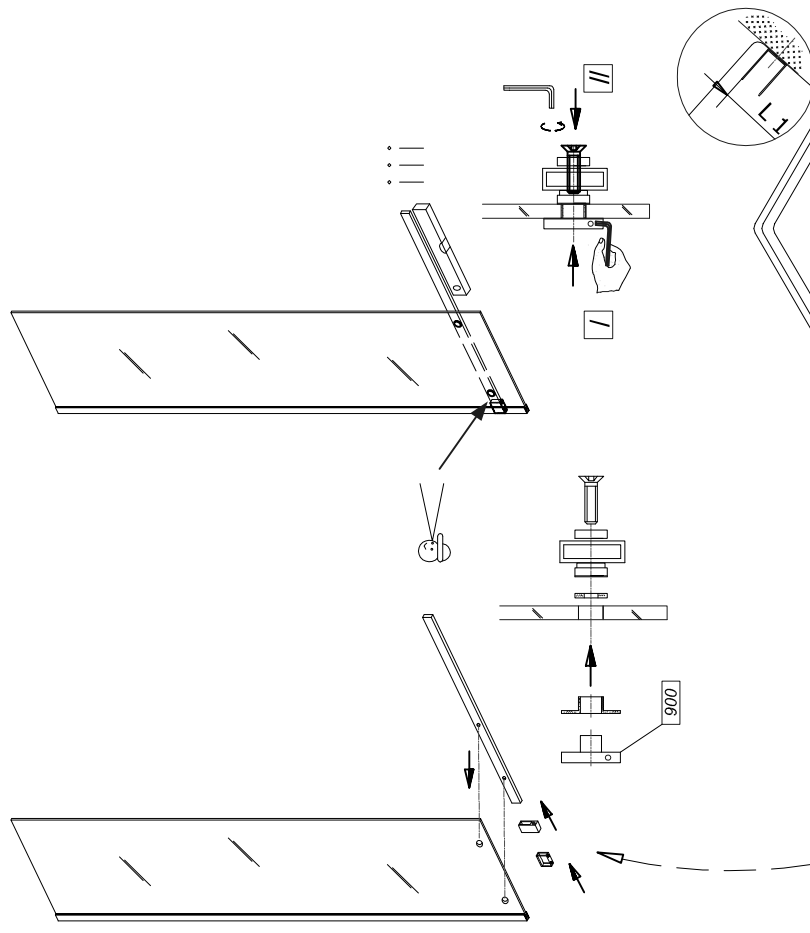
4 kom 4 x 40

-d-

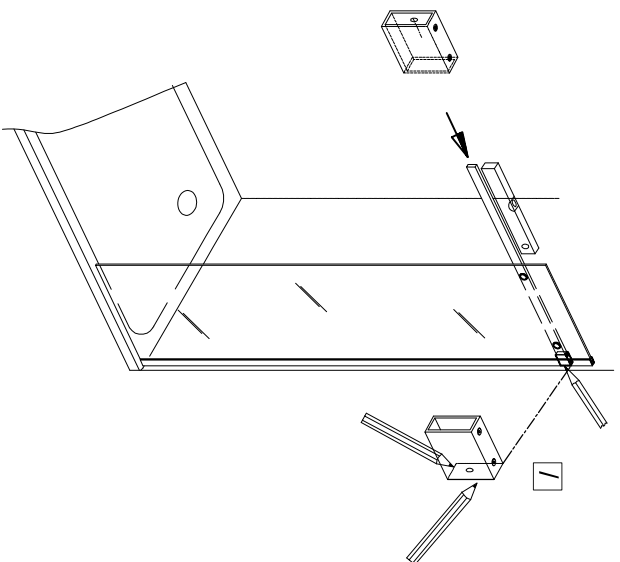
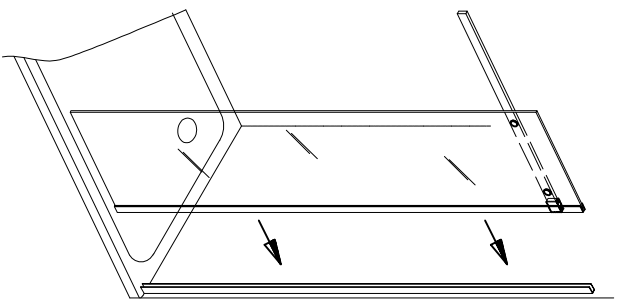


006

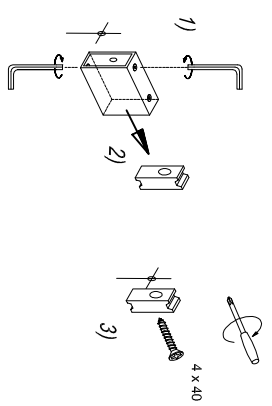
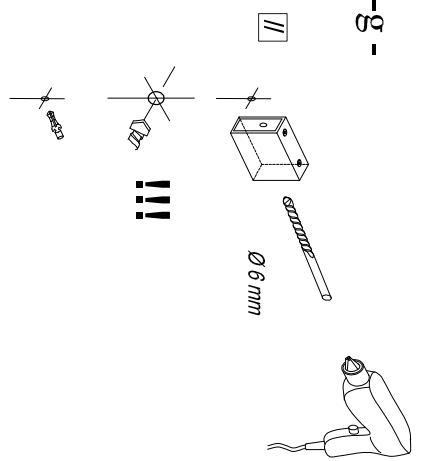
-4-



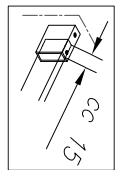
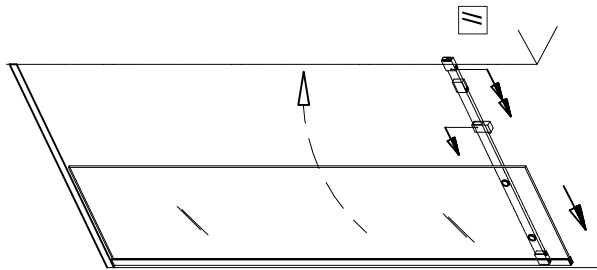
-e-



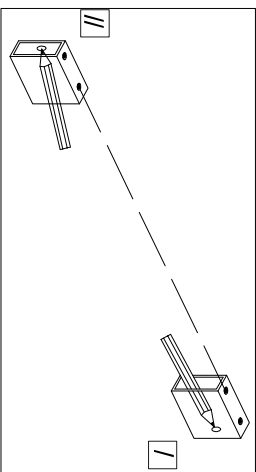
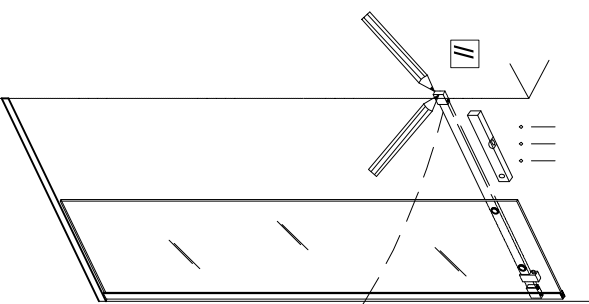
-g-



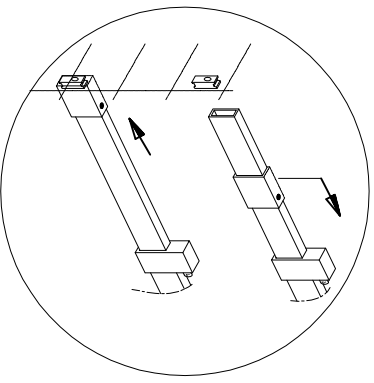
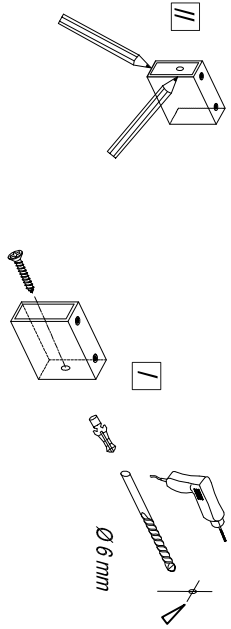
-h-



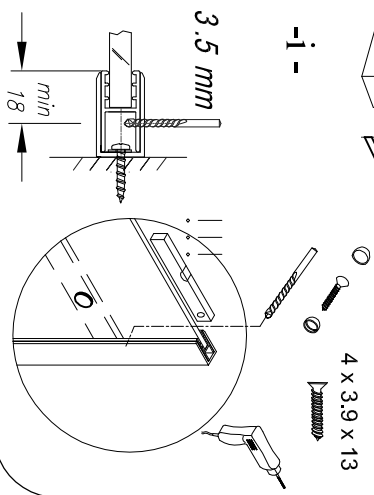
-f-



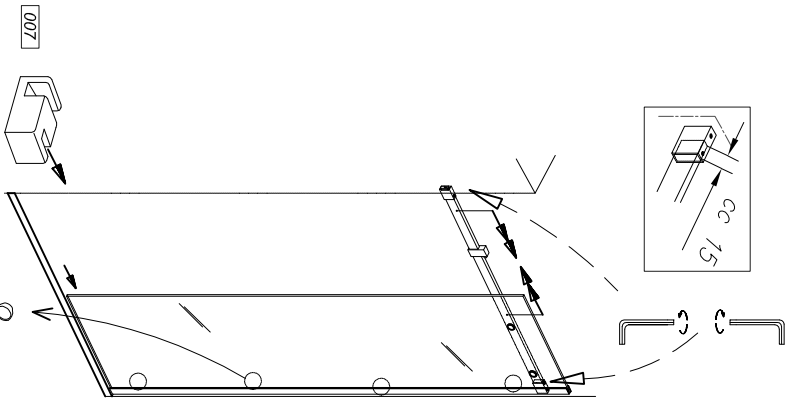
-5-



-6-



-i-



4 x 3.9 x 13

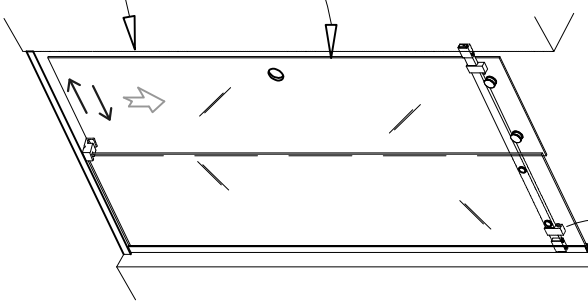
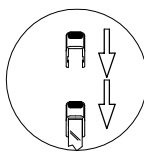
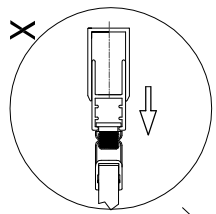
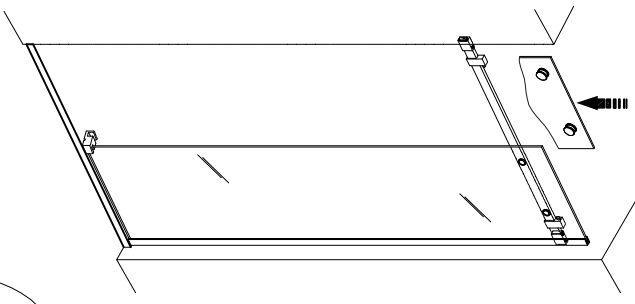
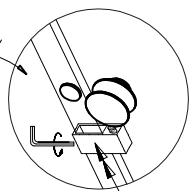
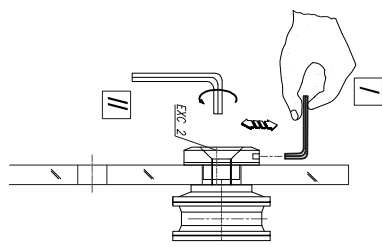
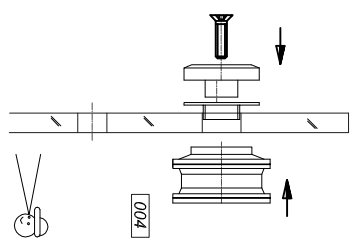
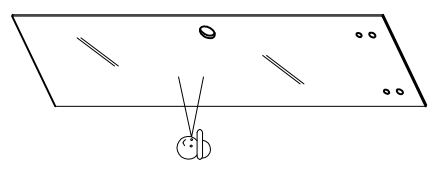
3.5 mm

min

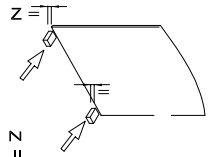
Ø 6 mm

4 x 40

-j-

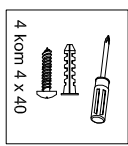
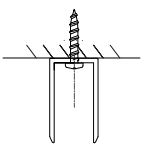
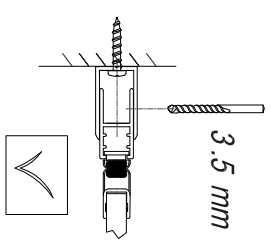
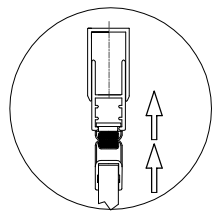
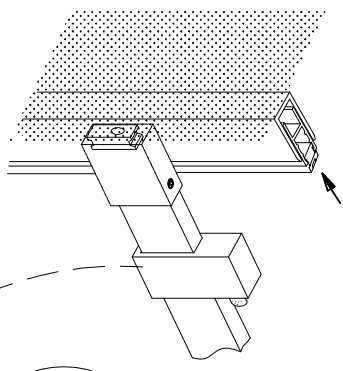
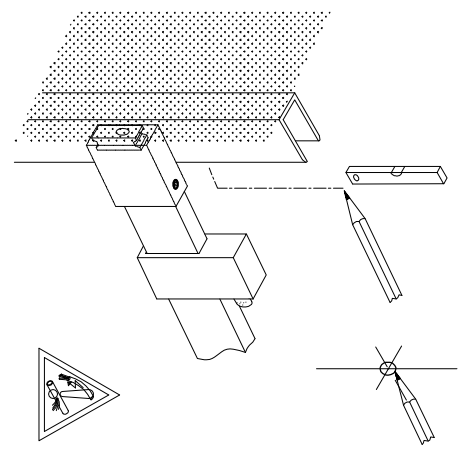
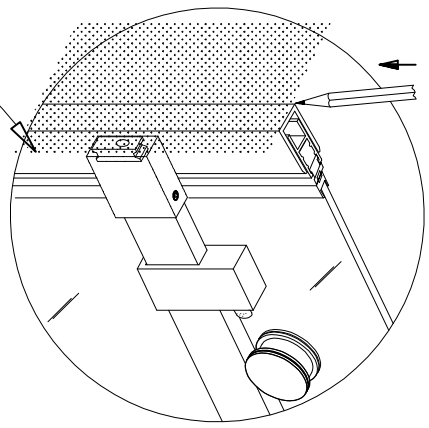


-7-



Z = cc 7-8 mm

-k-

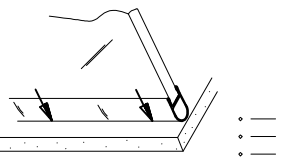
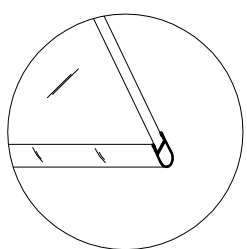
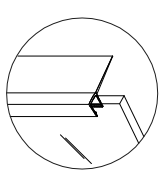
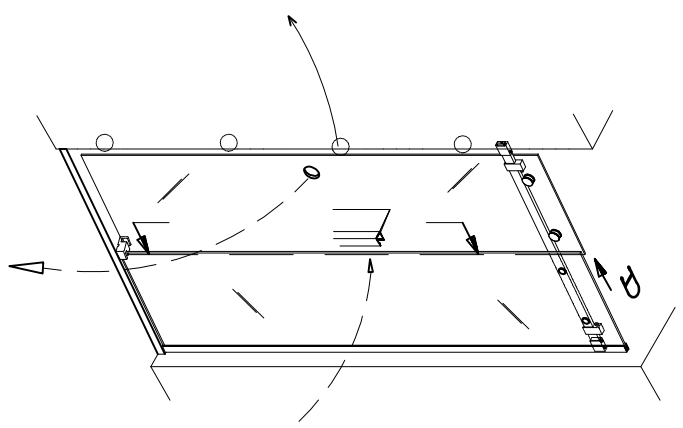
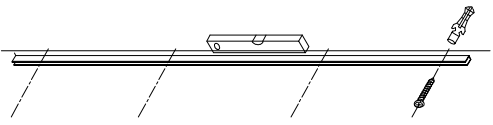


Ø 6 mm

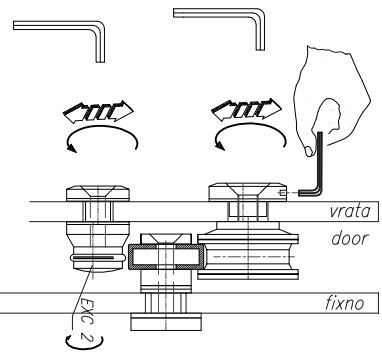
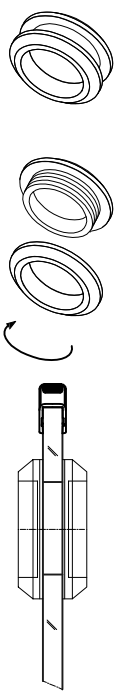
4 x 3.9 x 13

-8-

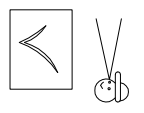
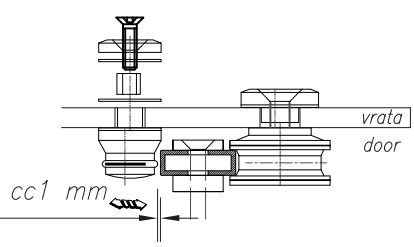
-1-



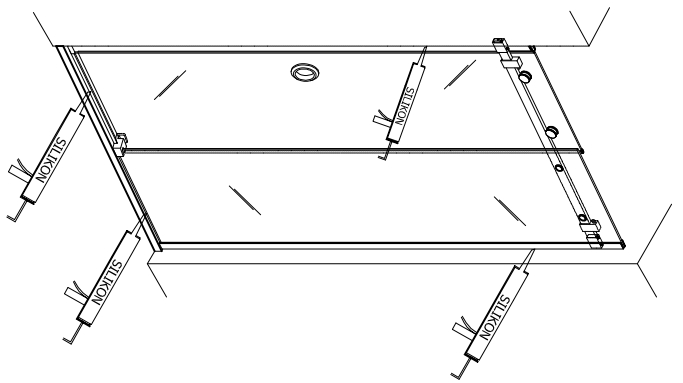
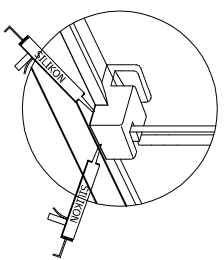
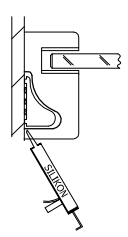
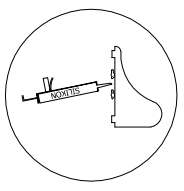
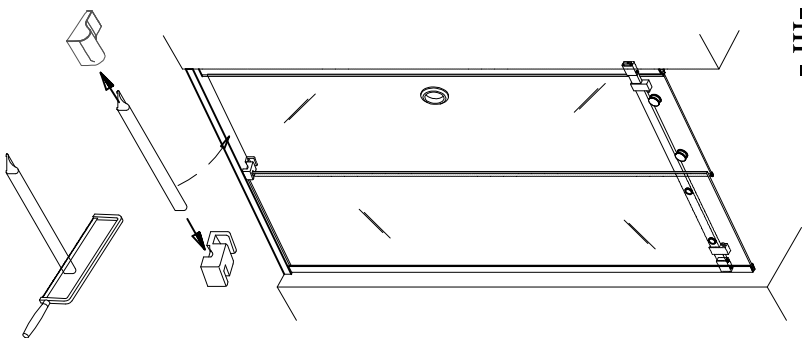
007



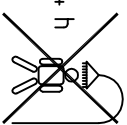
-9-



-m-



24 h



-10-

