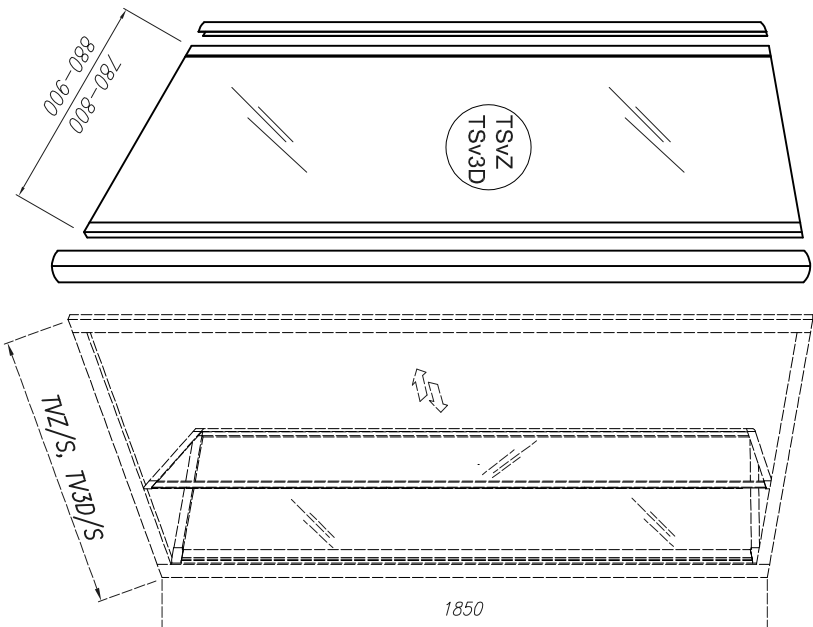
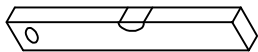
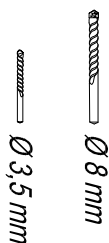
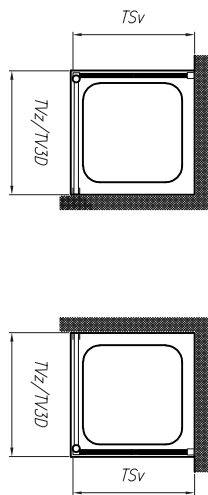
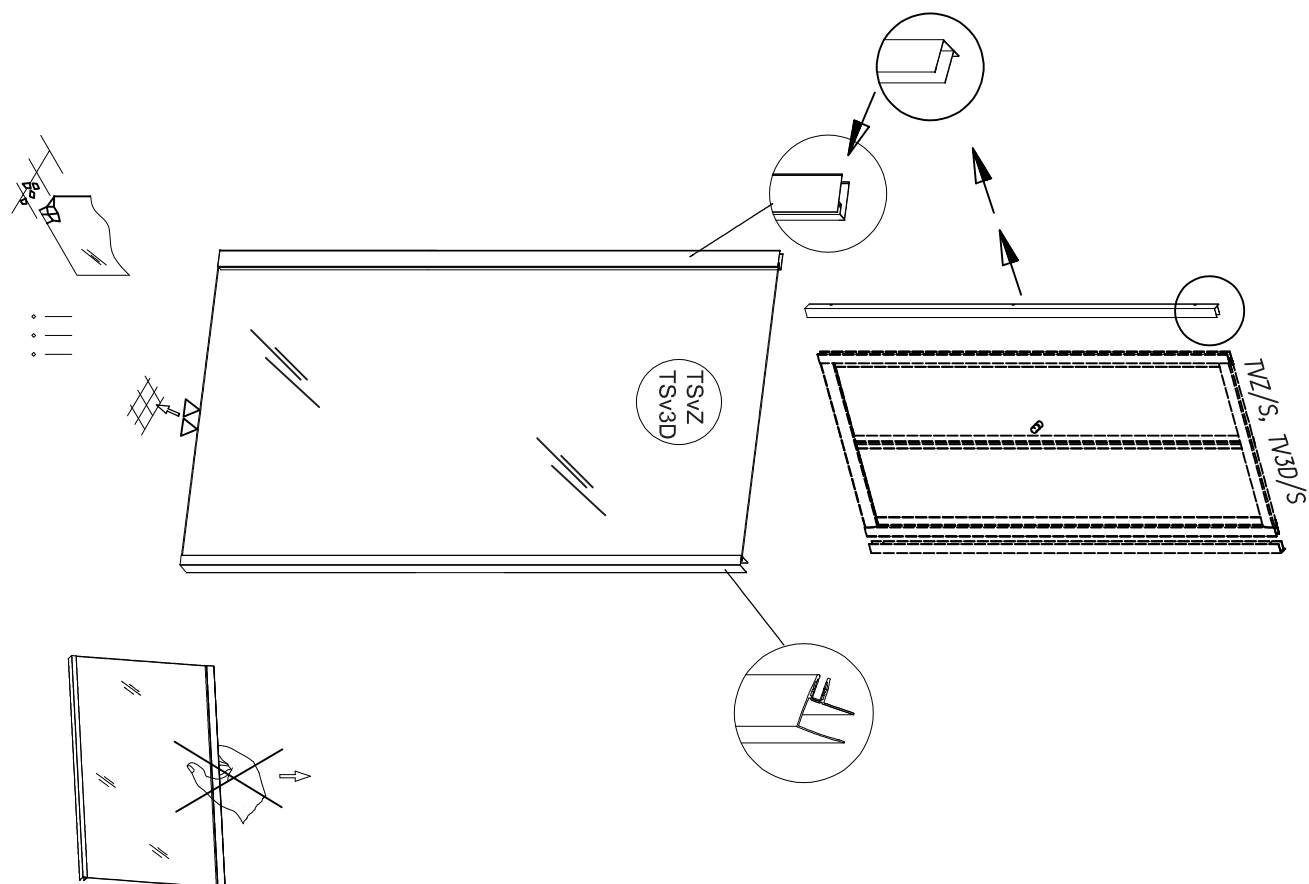


| | | |
|---------------|---------|------|
| | | |
| TSvZ/TSv3D 80 | 780-800 | 1850 |
| TSvZ/TSv3D 90 | 880-900 | 1850 |

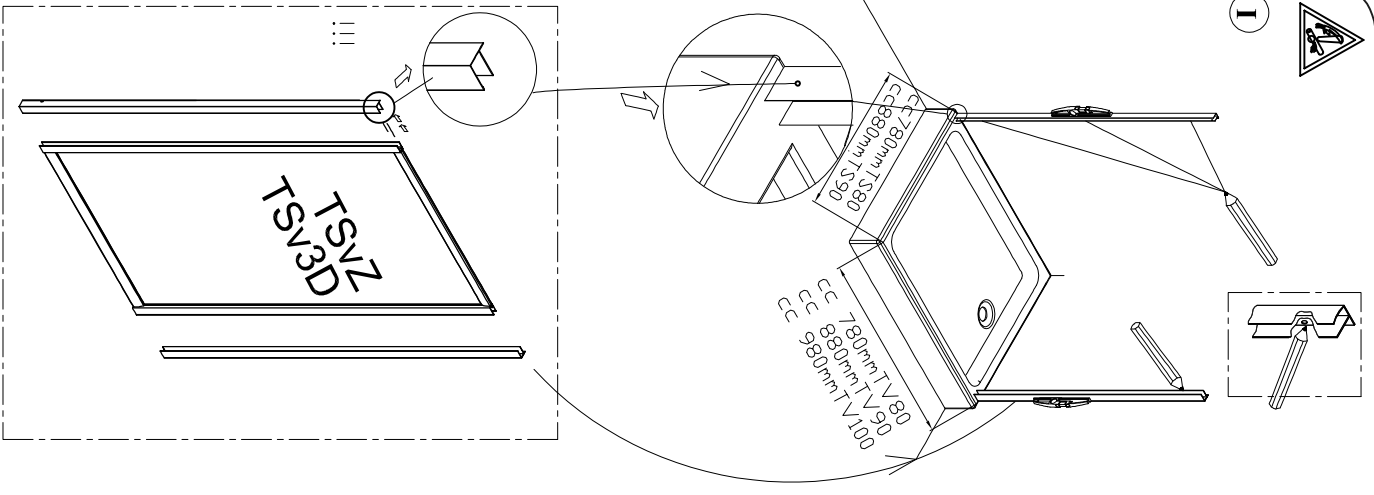


-1-

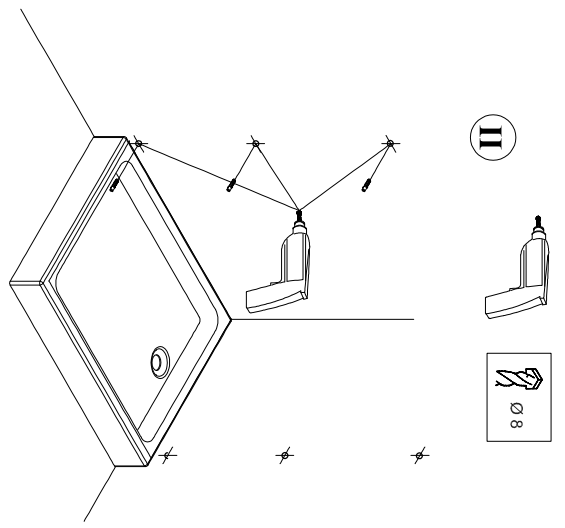


-2-

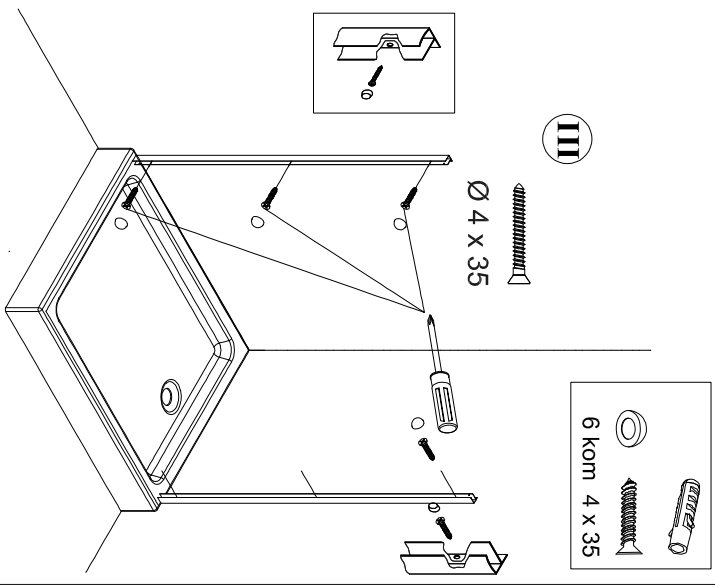
I



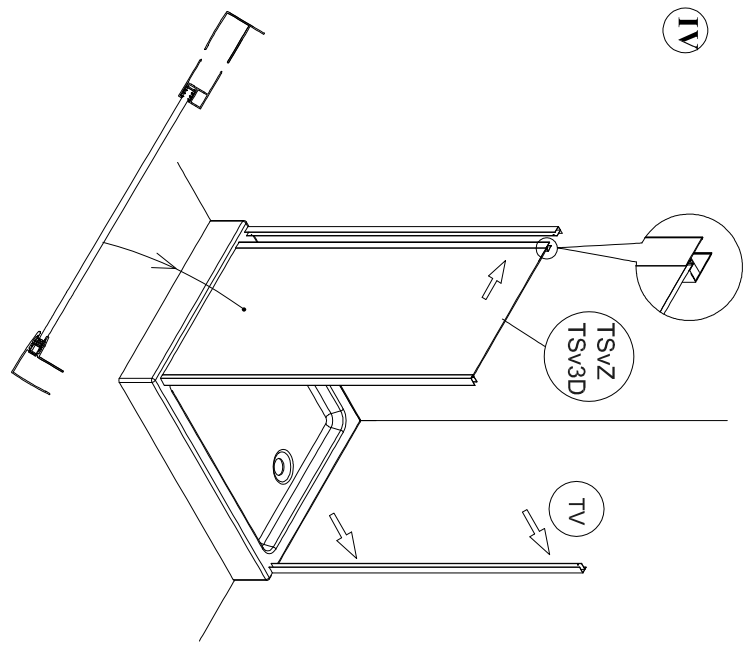
II



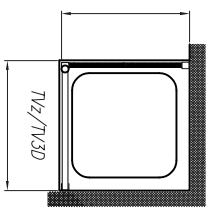
III



IV



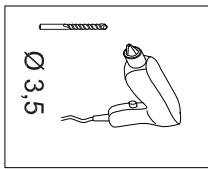
TSvZ/TVs3D



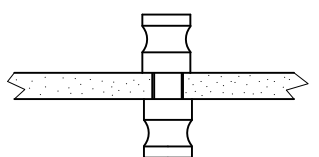
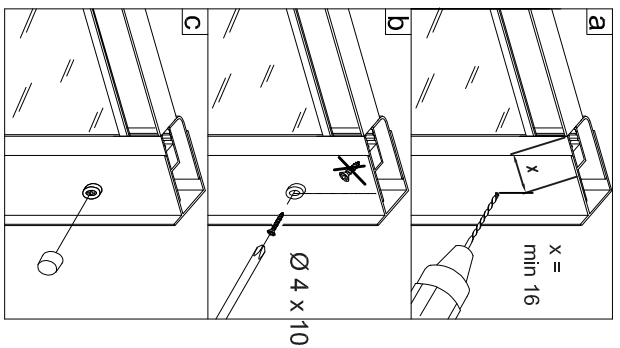
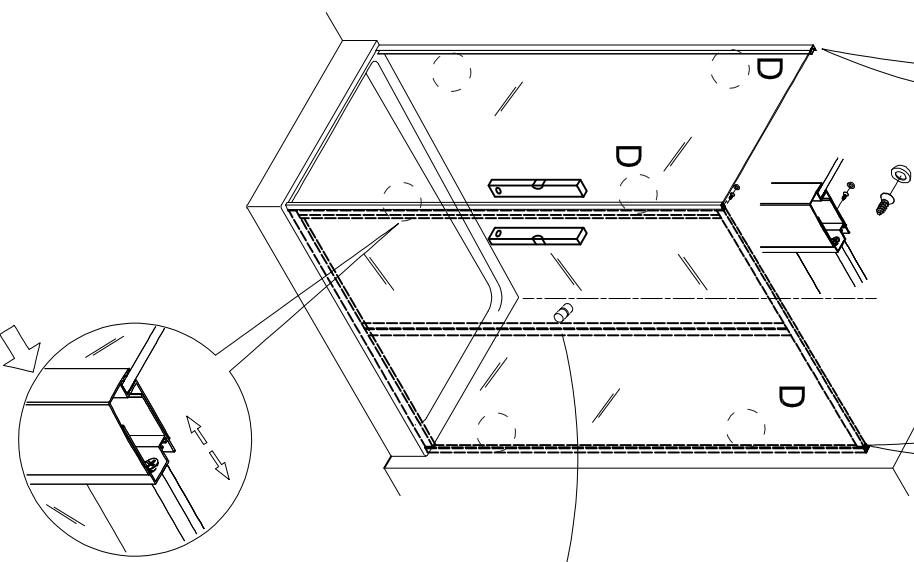
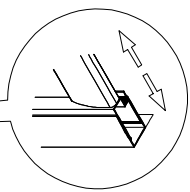
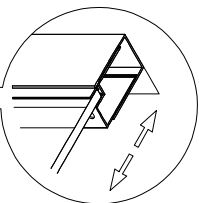
-3-

-4-

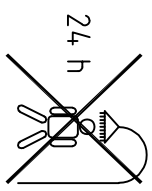
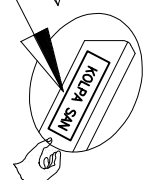
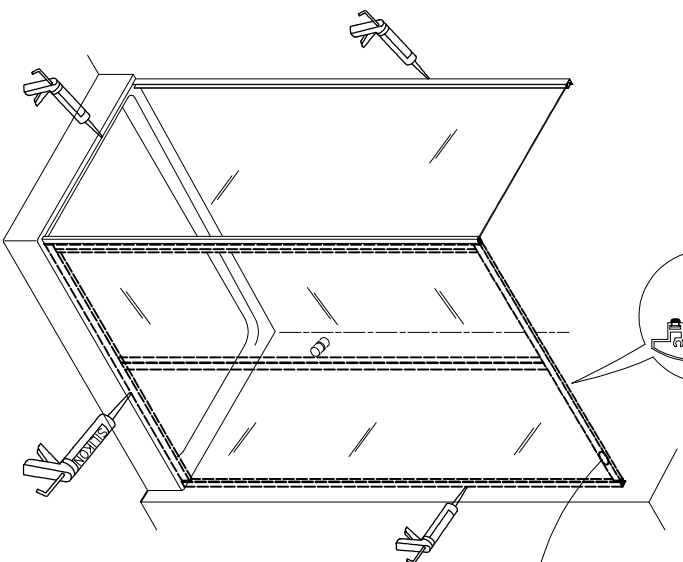
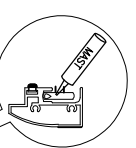
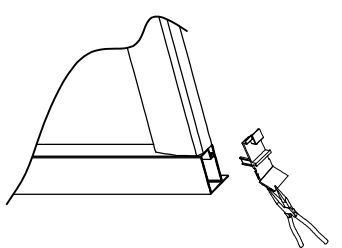
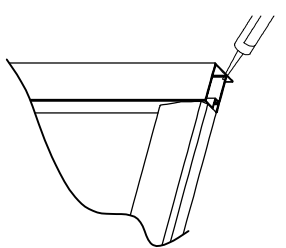
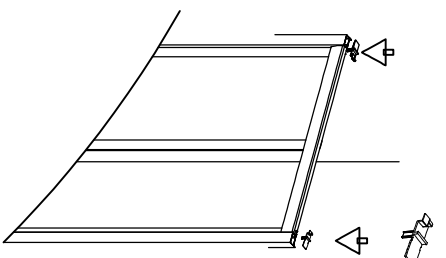
D



4 x 10



-5-



-6-