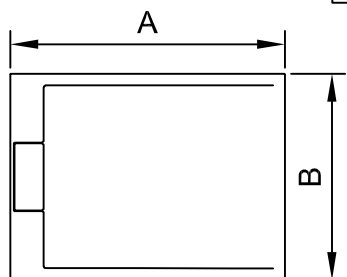
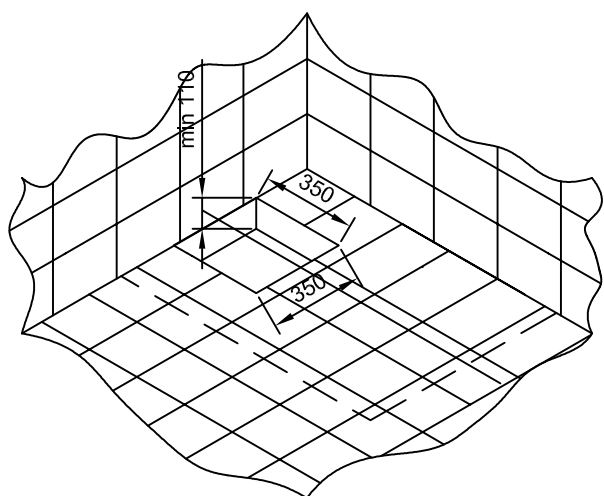


CAPO

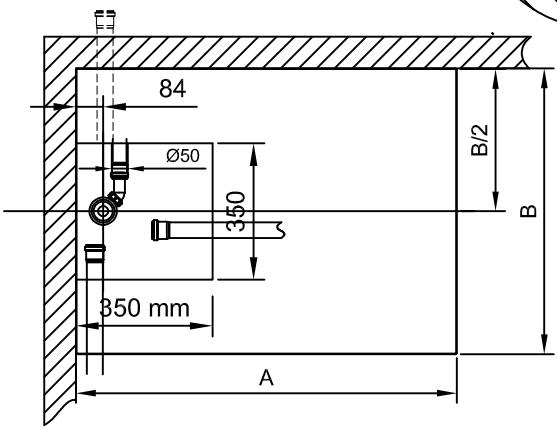
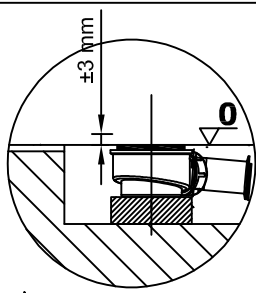
	A	B
CAPO 90x90	900	900
CAPO 100x80	1000	800
CAPO 120x80	1200	800
CAPO 120x90	1200	900
CAPO 140x90	1400	900
CAPO 140x100	1400	1000



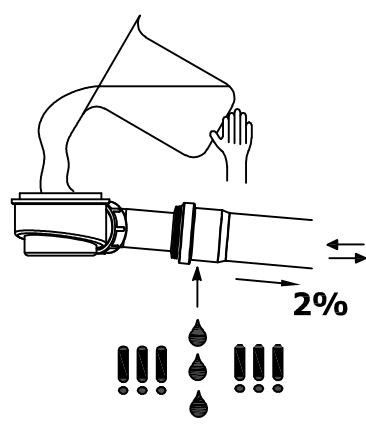
1 1/2



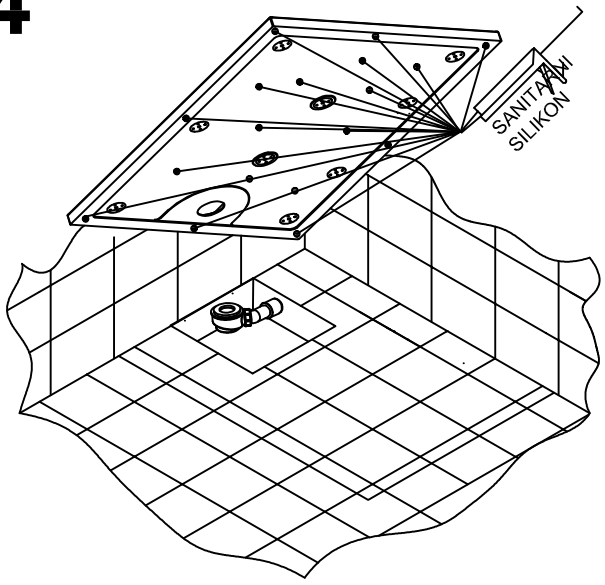
2



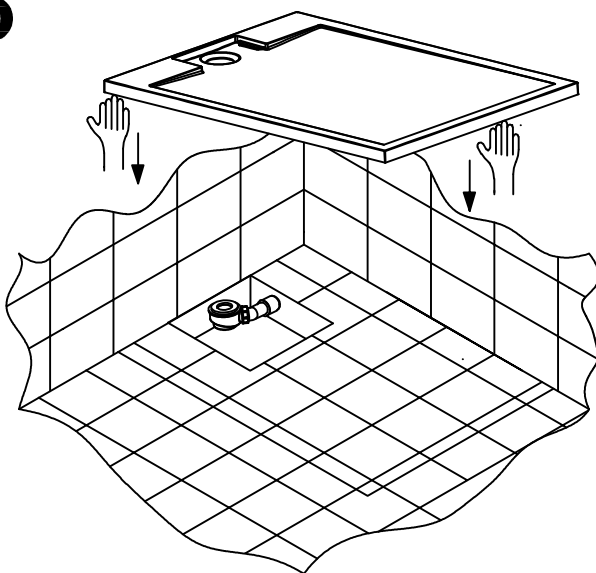
3



4

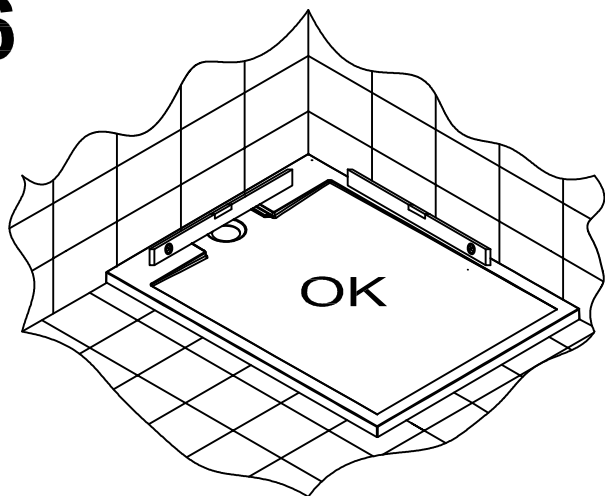


5



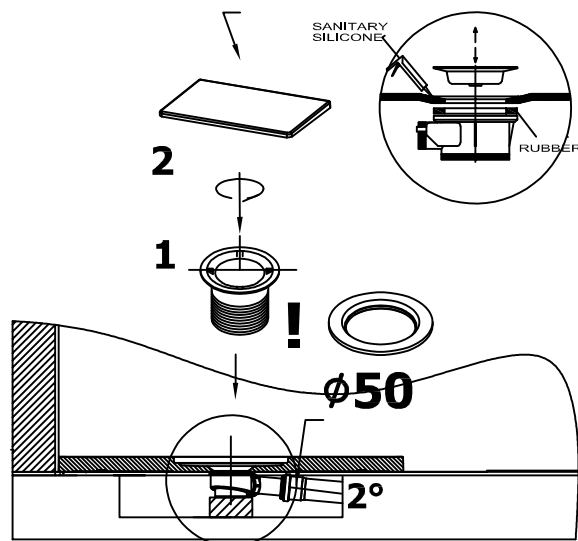
CAPO

6



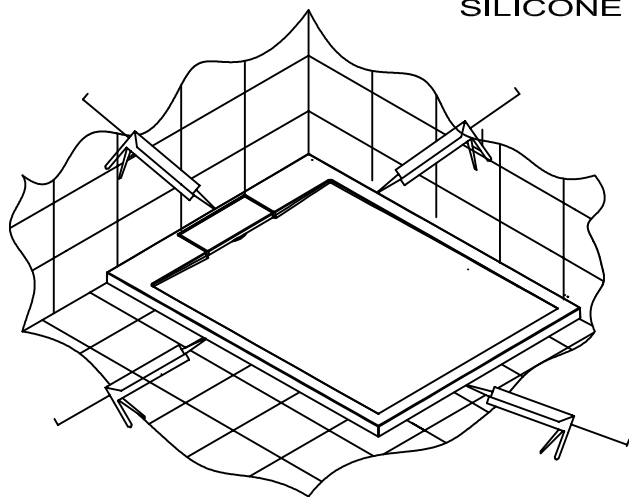
7

2/2

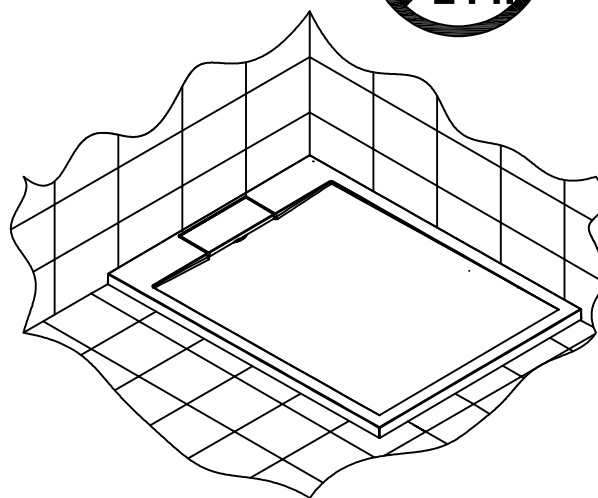


8

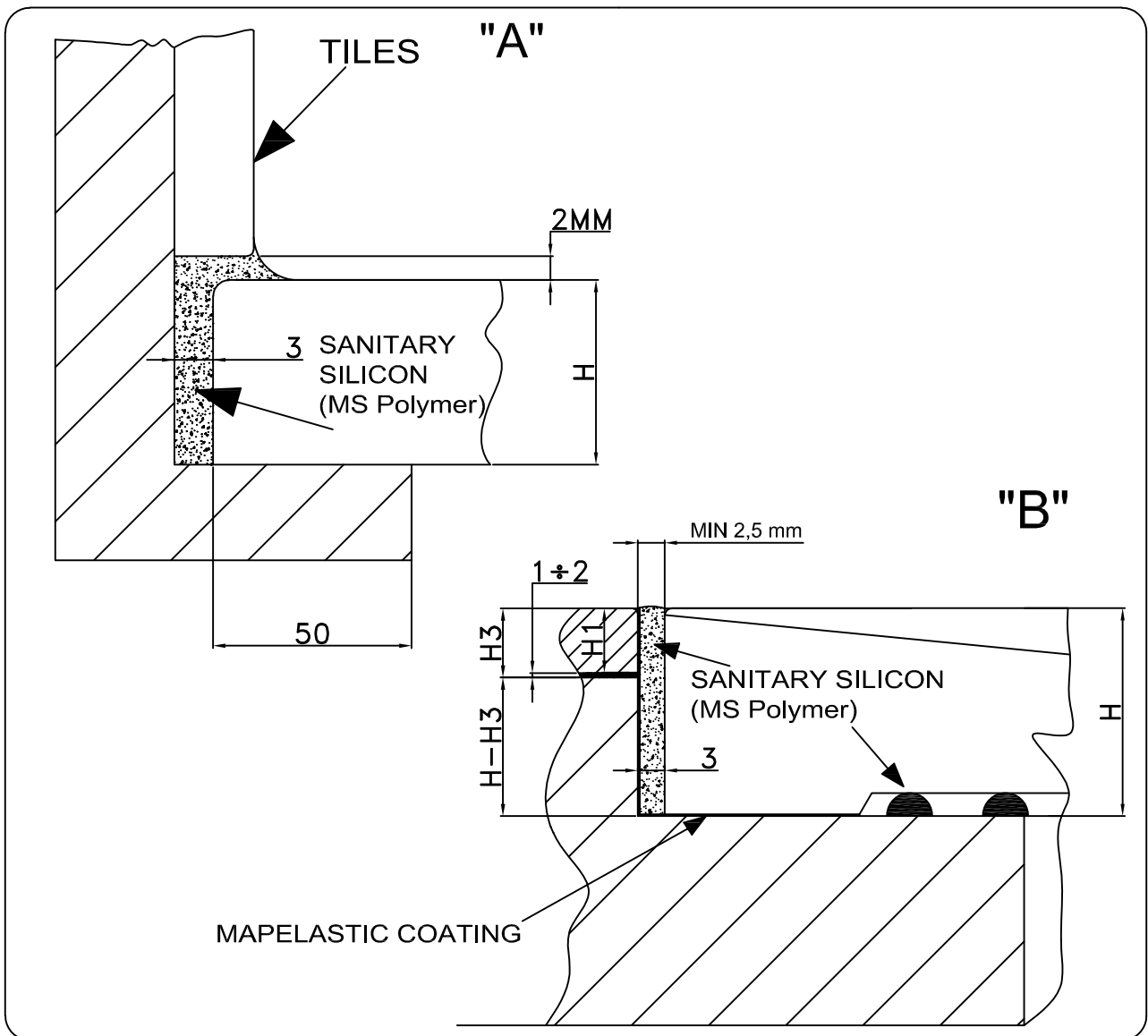
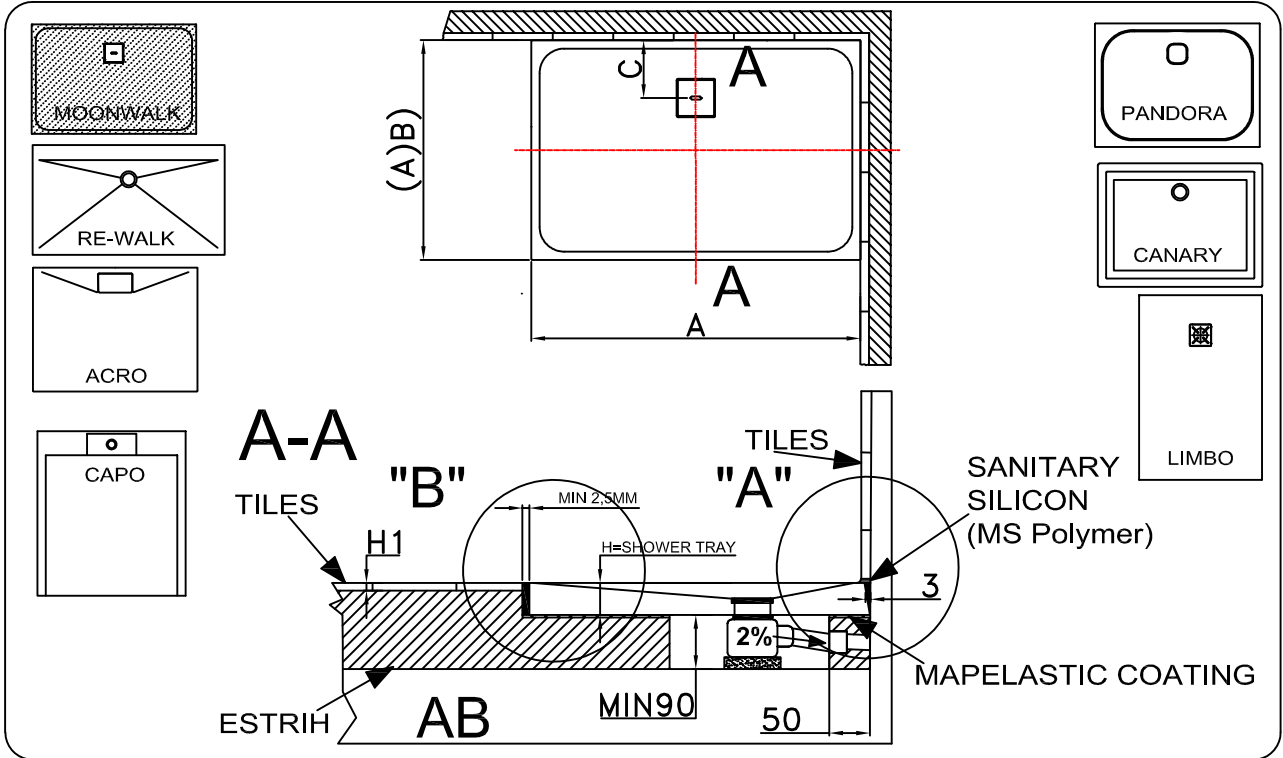
SANITARY SILICONE



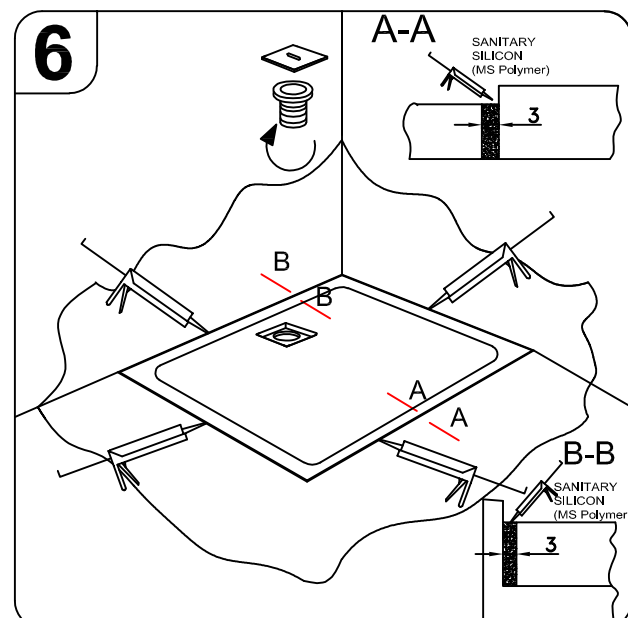
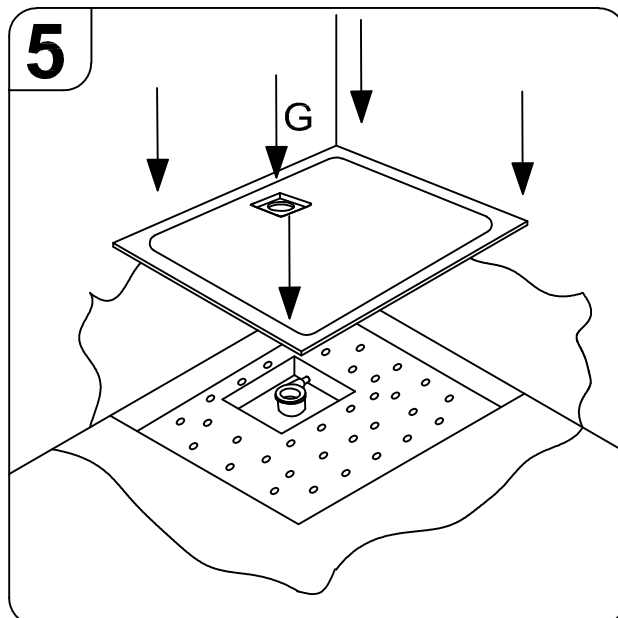
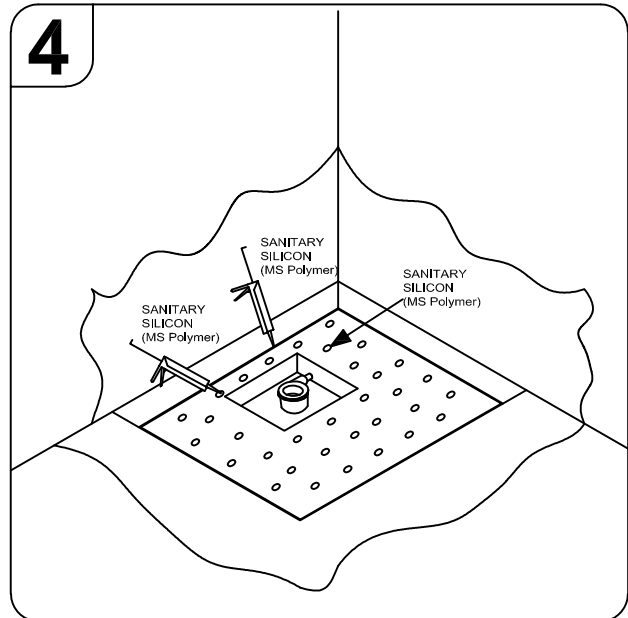
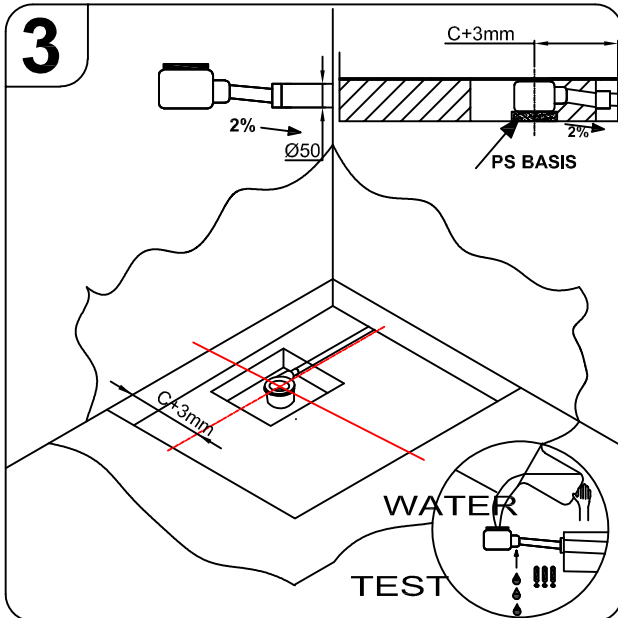
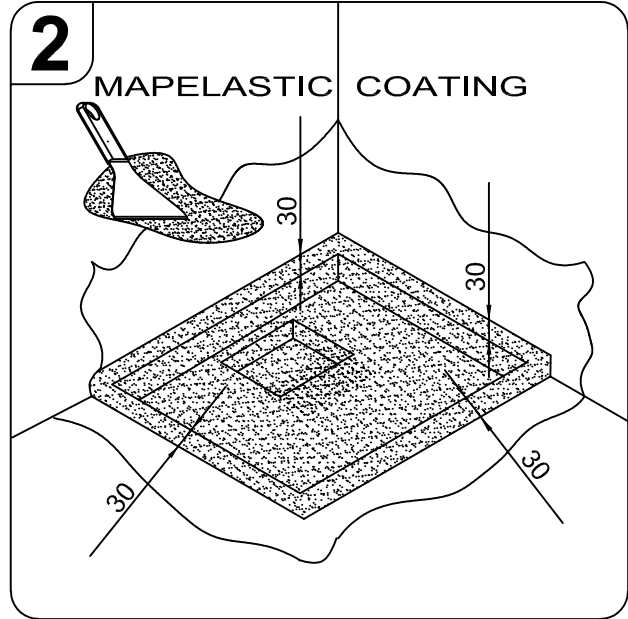
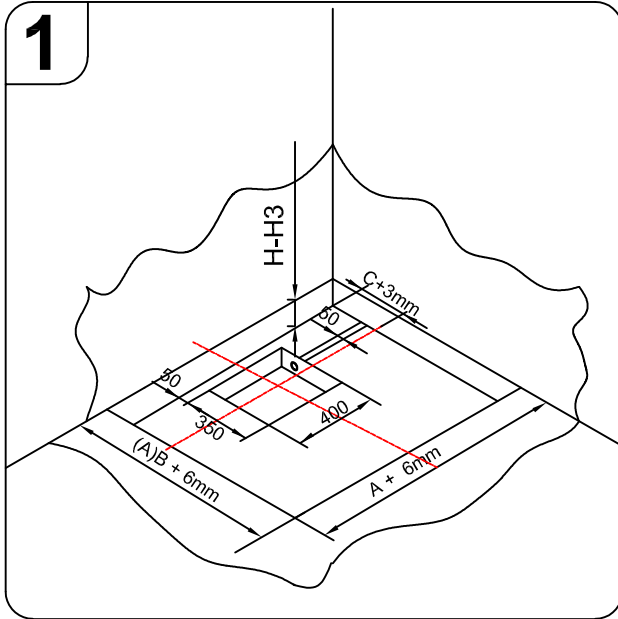
9



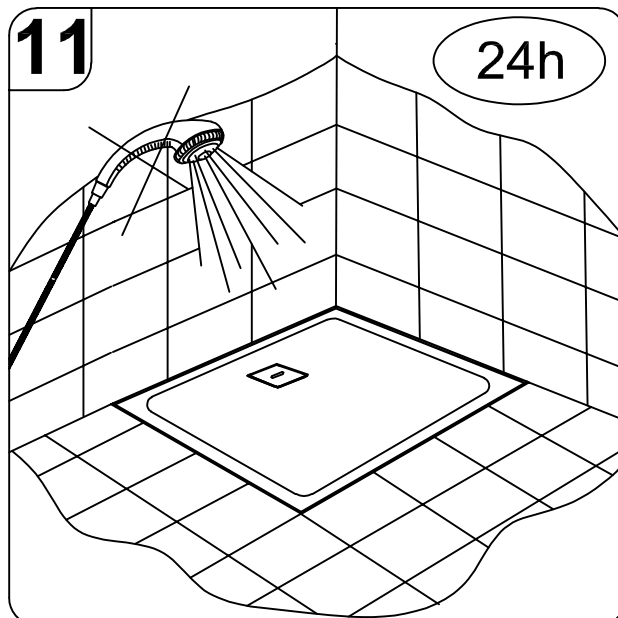
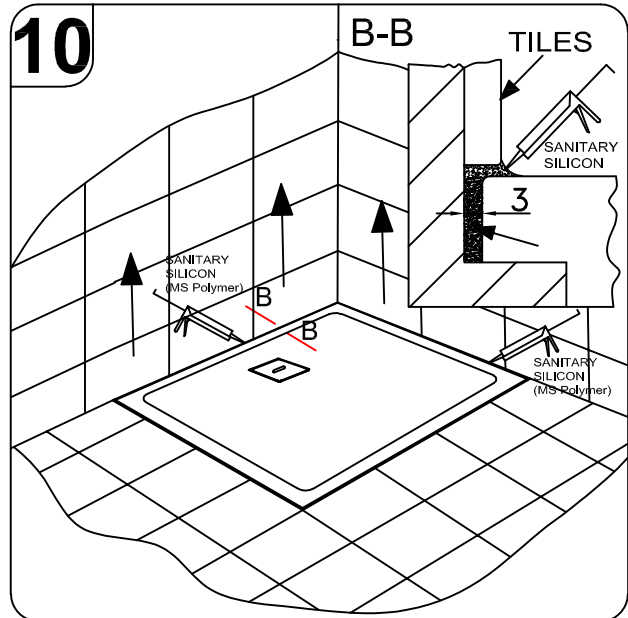
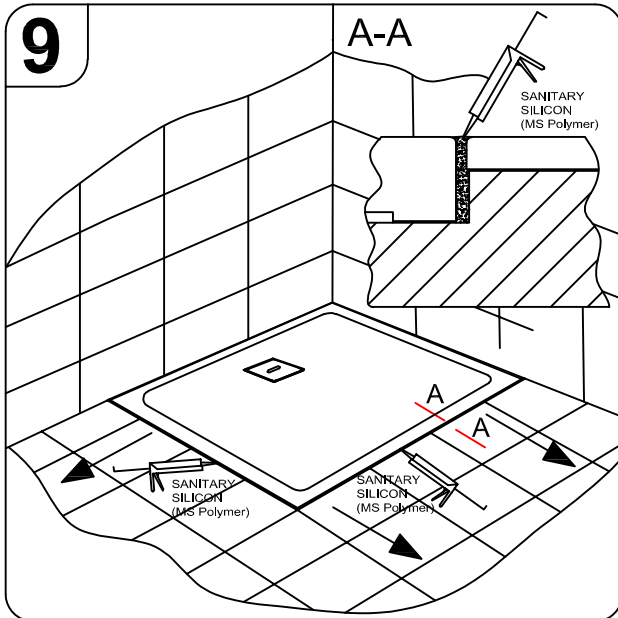
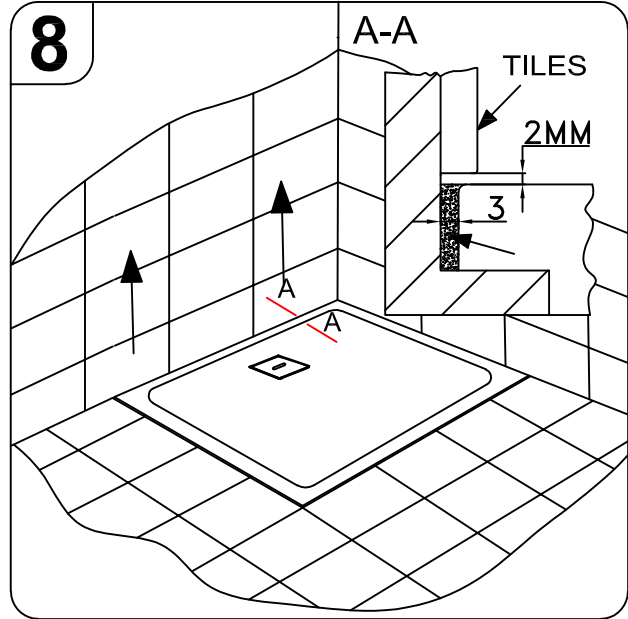
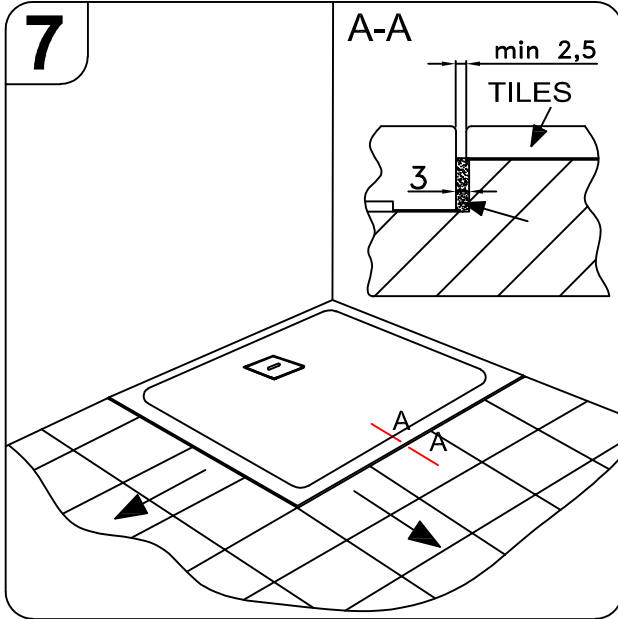
MOONWALK, RE-WALK, ACRO, PANDORA, CANARY, CAPO, LIMBO

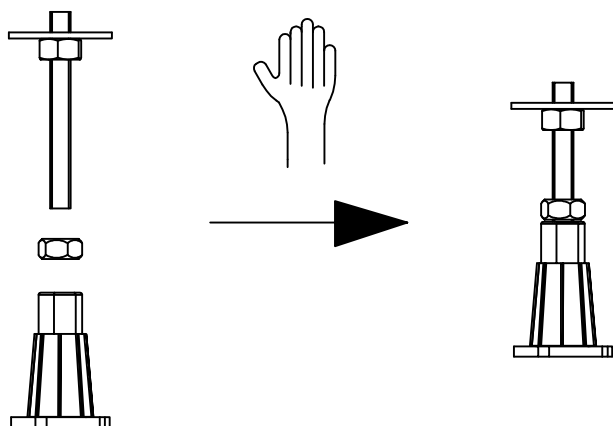
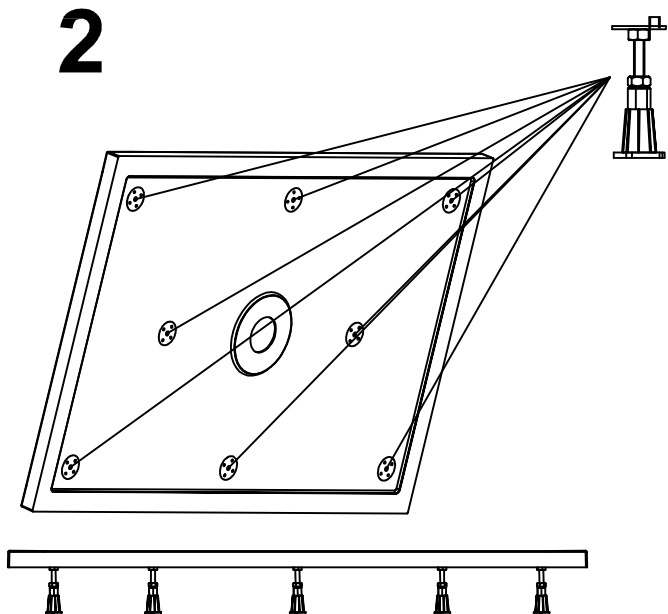
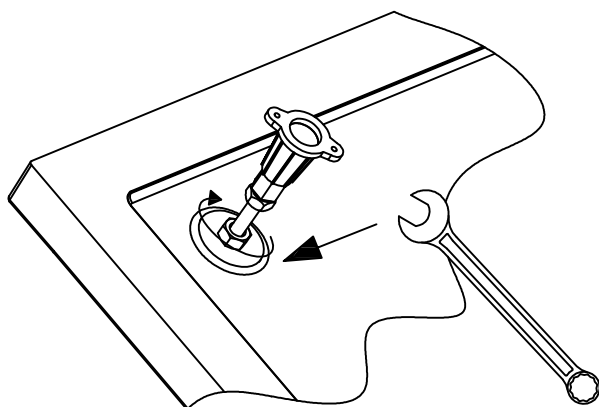
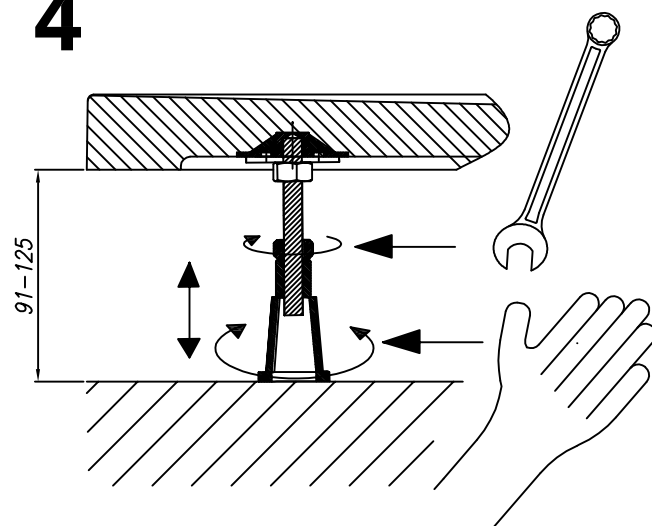
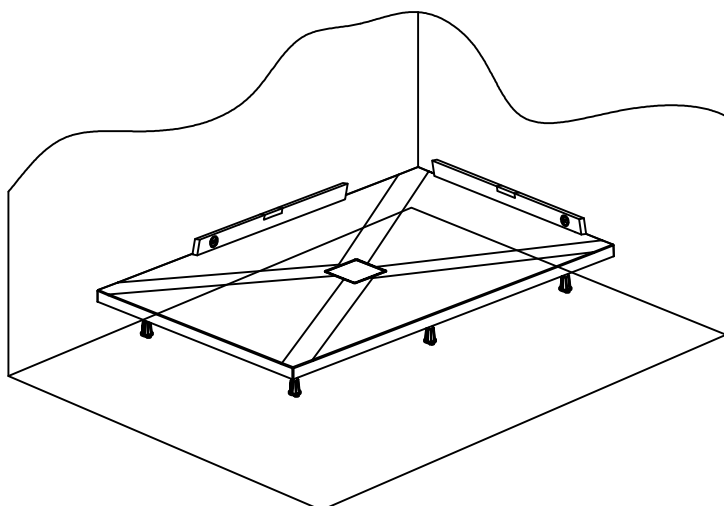


MOONWALK, RE-WALK, ACRO, PANDORA, CANARY, CAPO, LIMBO



MOONWALK, RE-WALK, ACRO, PANDORA, CANARY, CAPO, LIMBO



1**2****3****4****5****6**