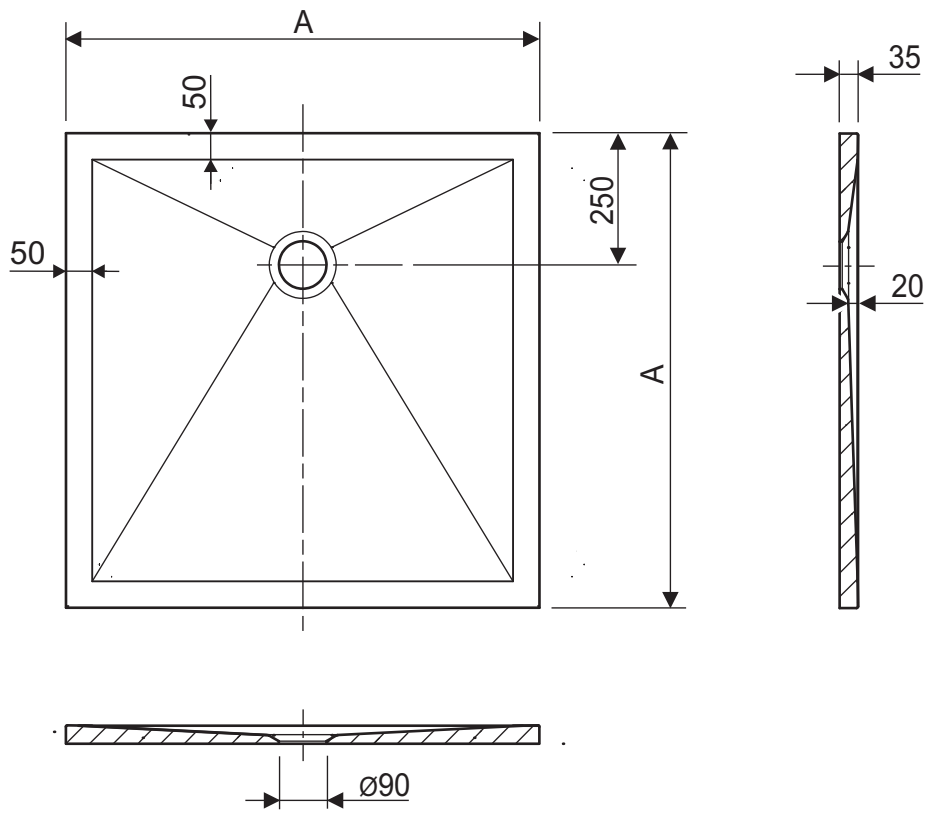


FLAT



MODEL	A [mm]
90 x 90	900
100 x 100	1000