

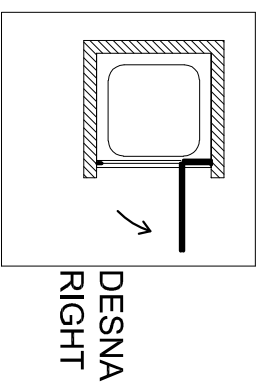
Kolpa·san[®]

by KOLPA

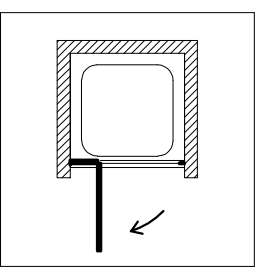
SLO NAVODILO ZA SESTAVO
 HR UPUTSTVO ZA MONTAŽU
 GB MOUNTING INSTRUCTIONS

TVs 90, 100 ATLAS

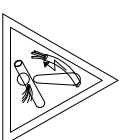
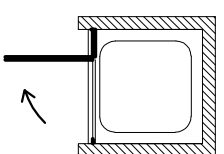
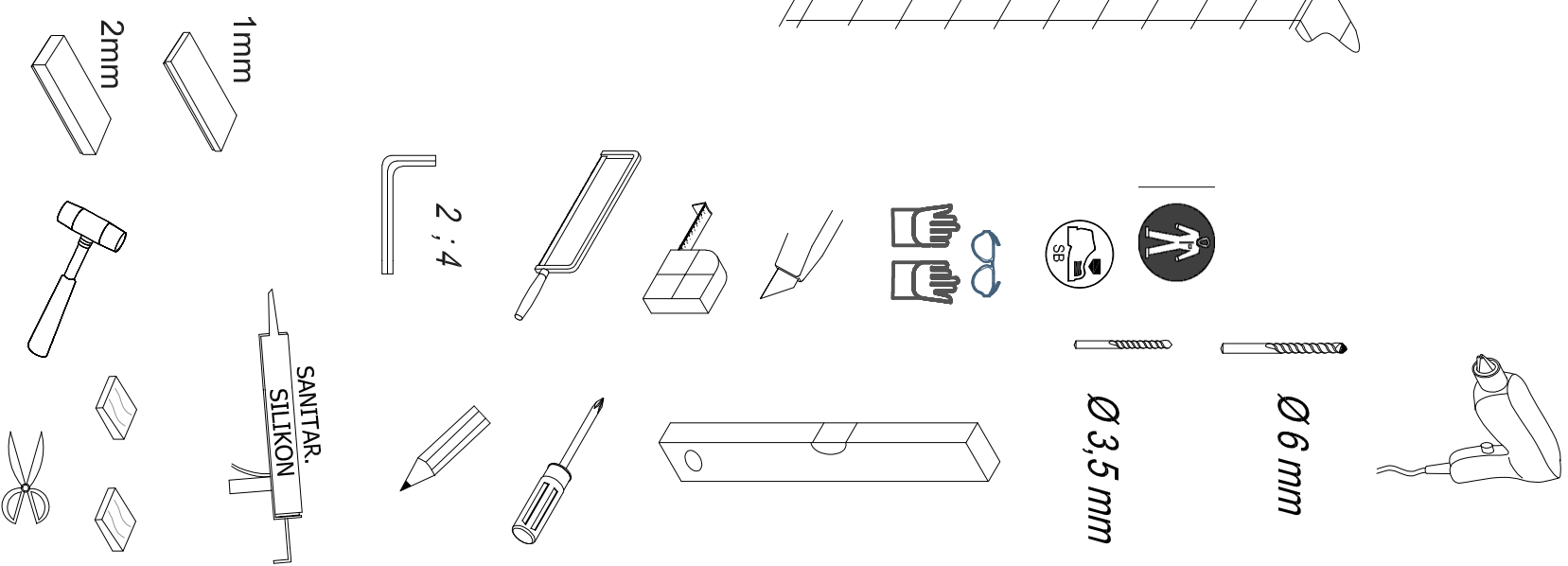
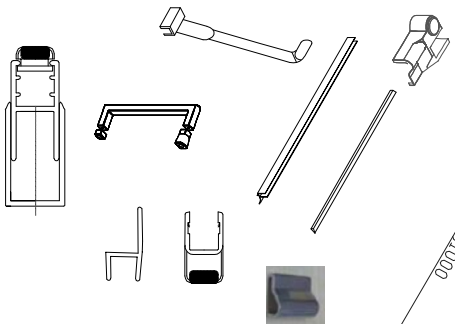
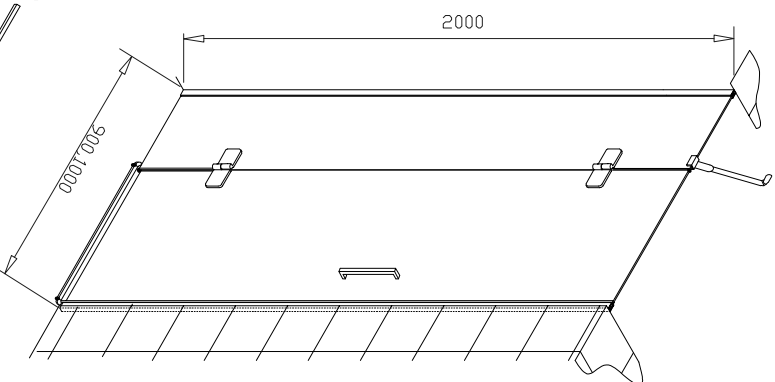
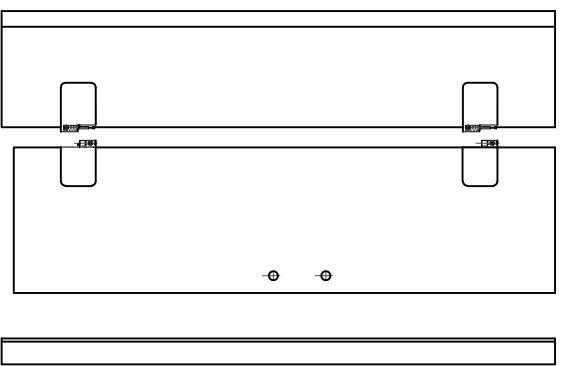
TVs 90	880-900	2000	530
TVs 100	980-1000	2000	530



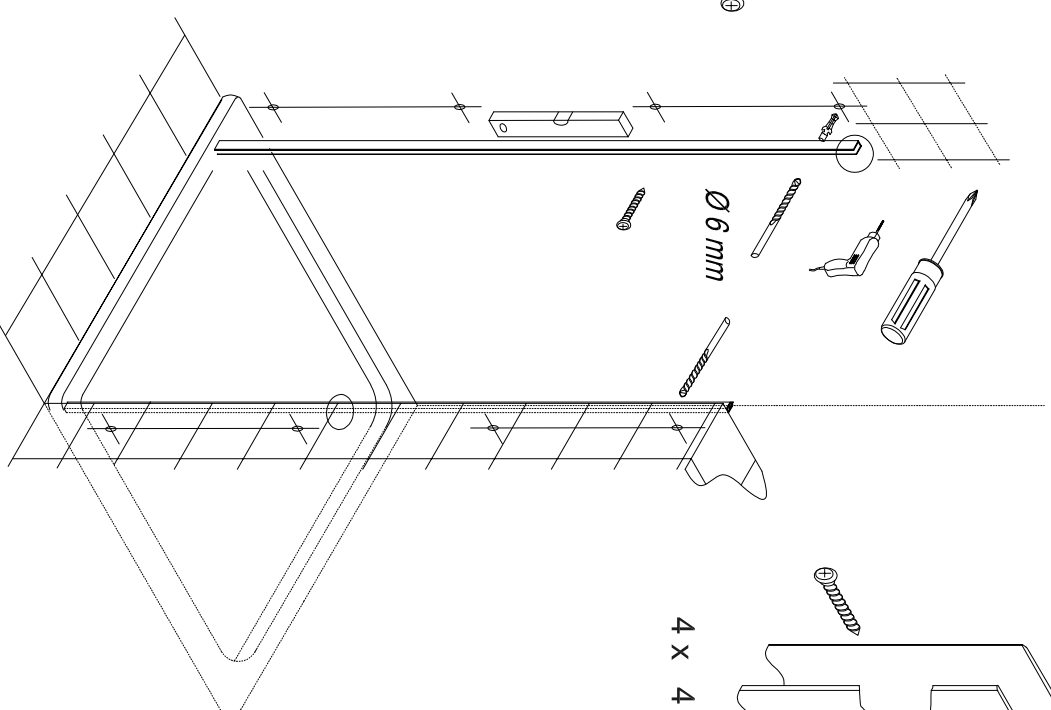
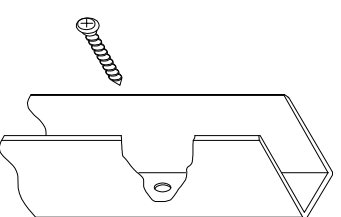
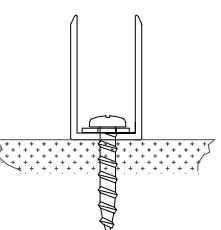
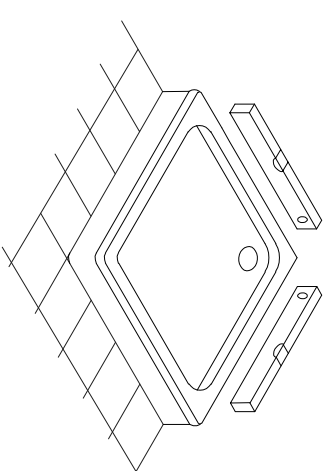
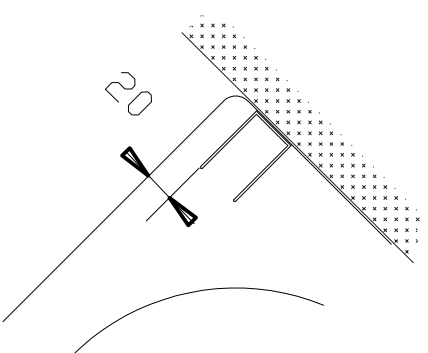
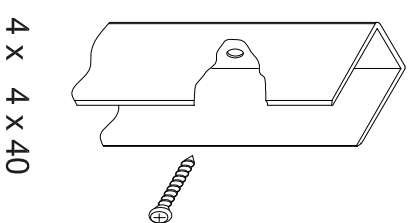
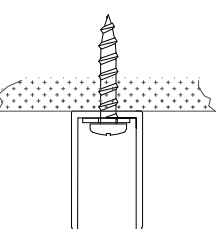
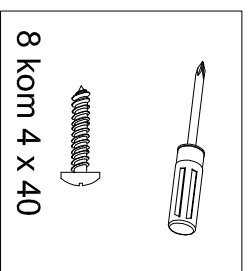
DESNA
RIGHT



LEVA
LEFT



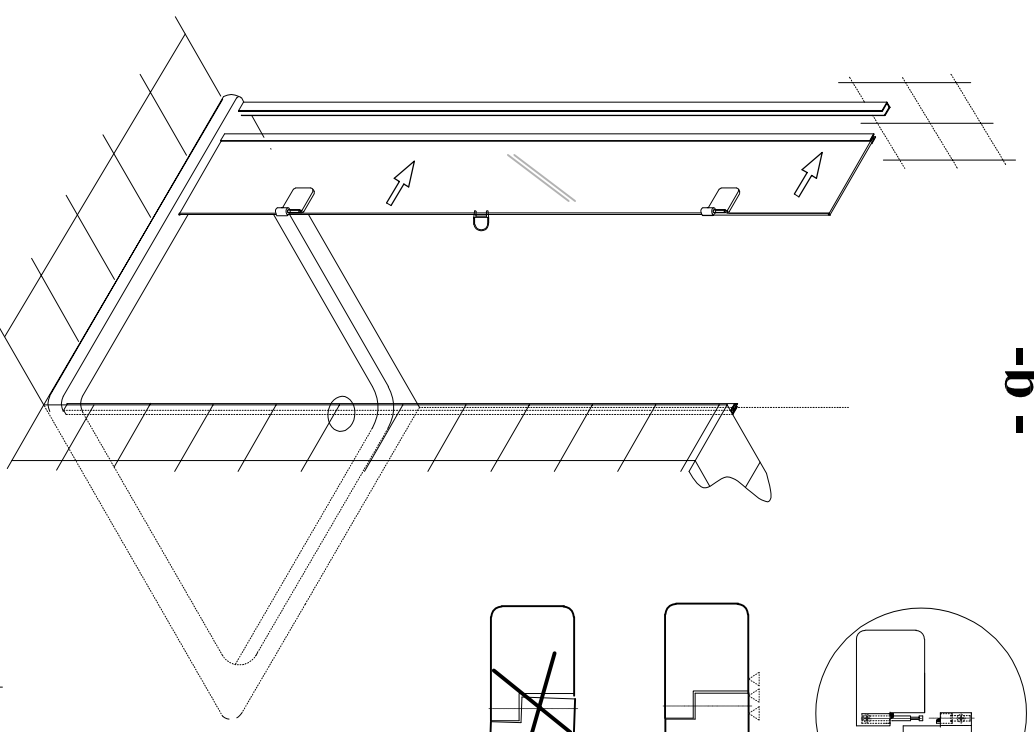
-2-



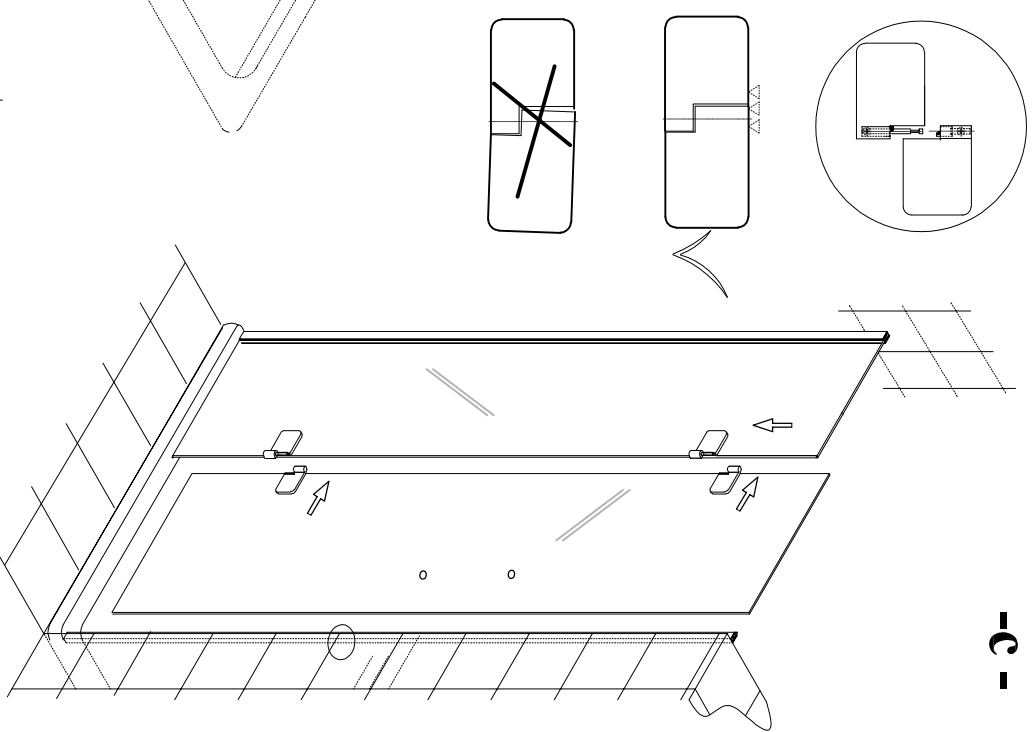
-1-

-2-

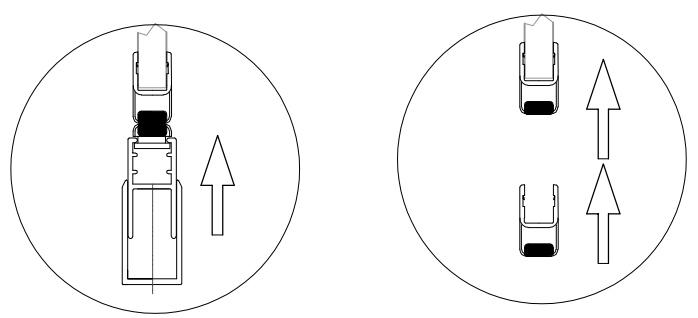
-b-



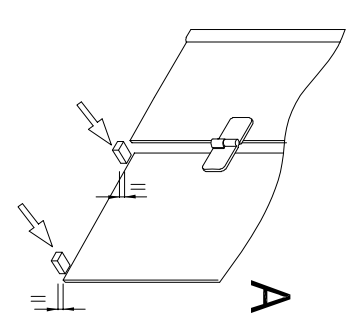
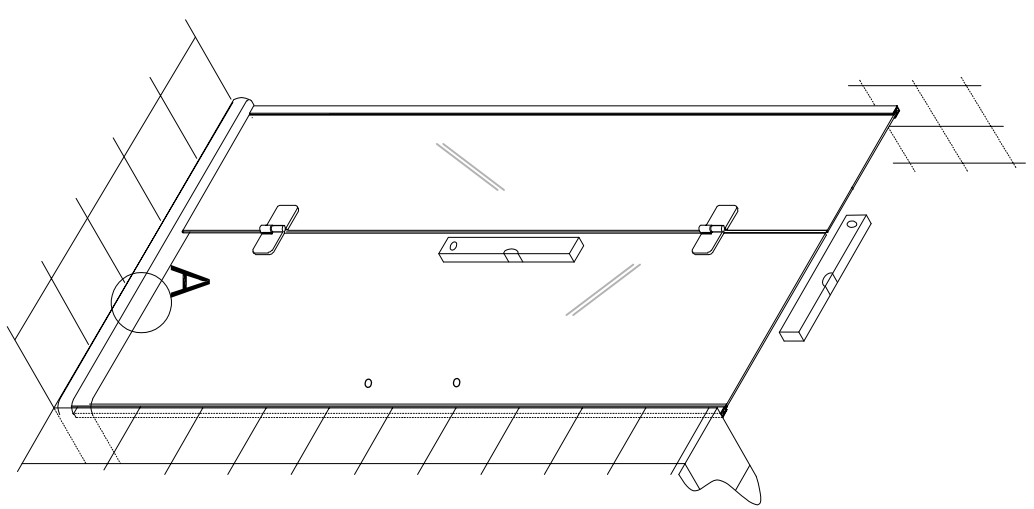
-c-



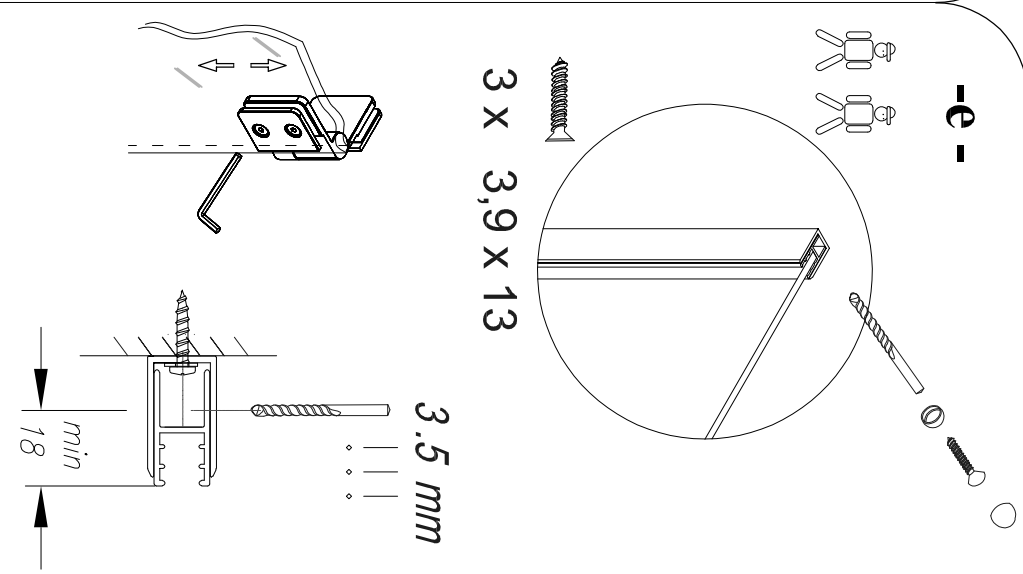
-d-



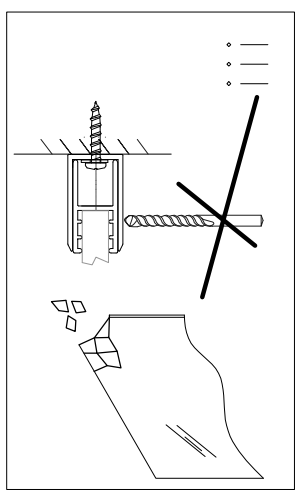
-3-



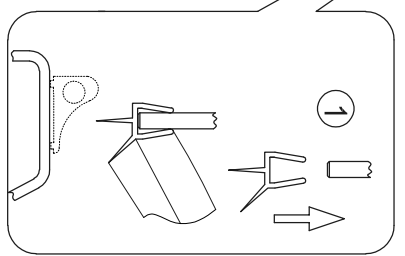
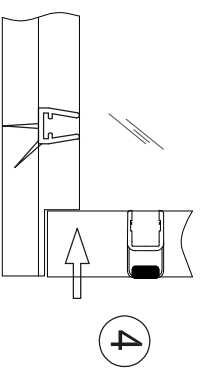
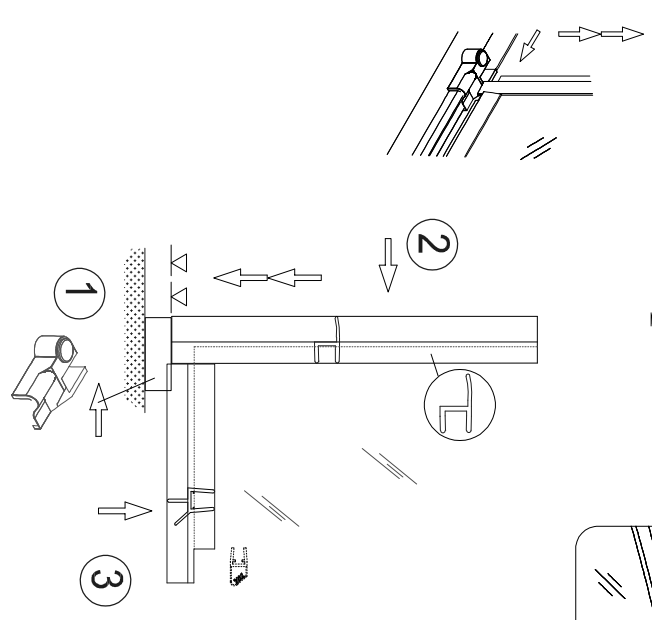
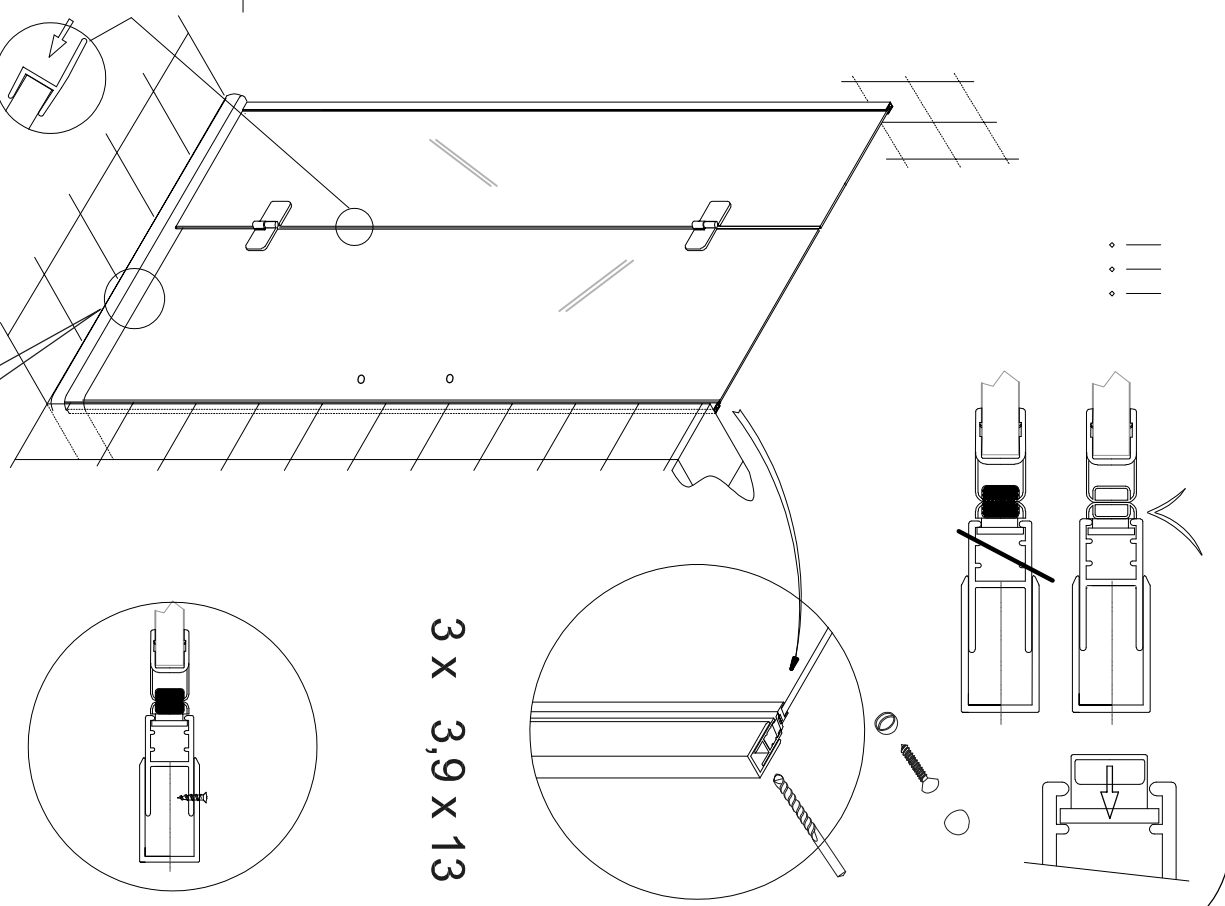
-e-



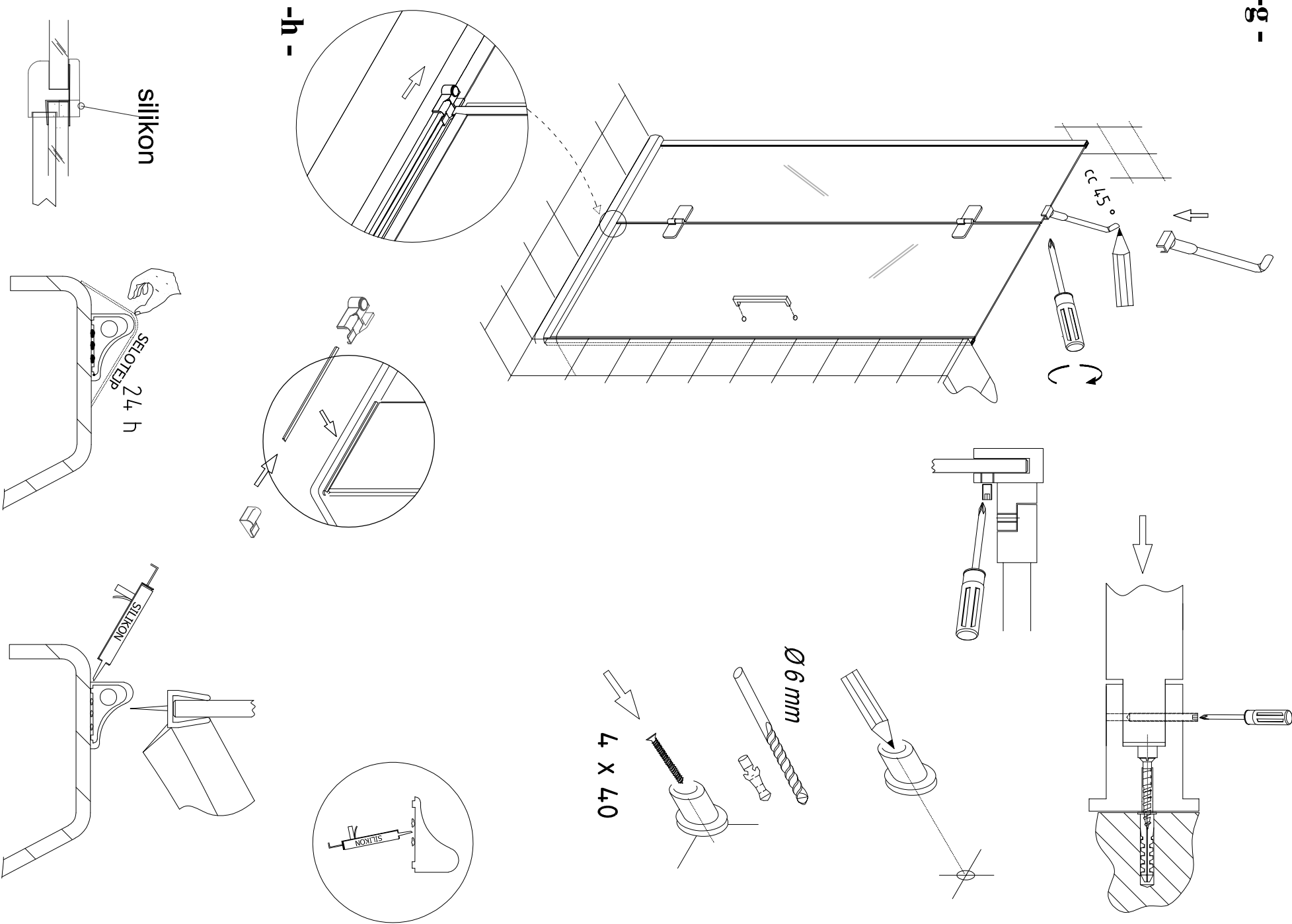
-f-



-4-

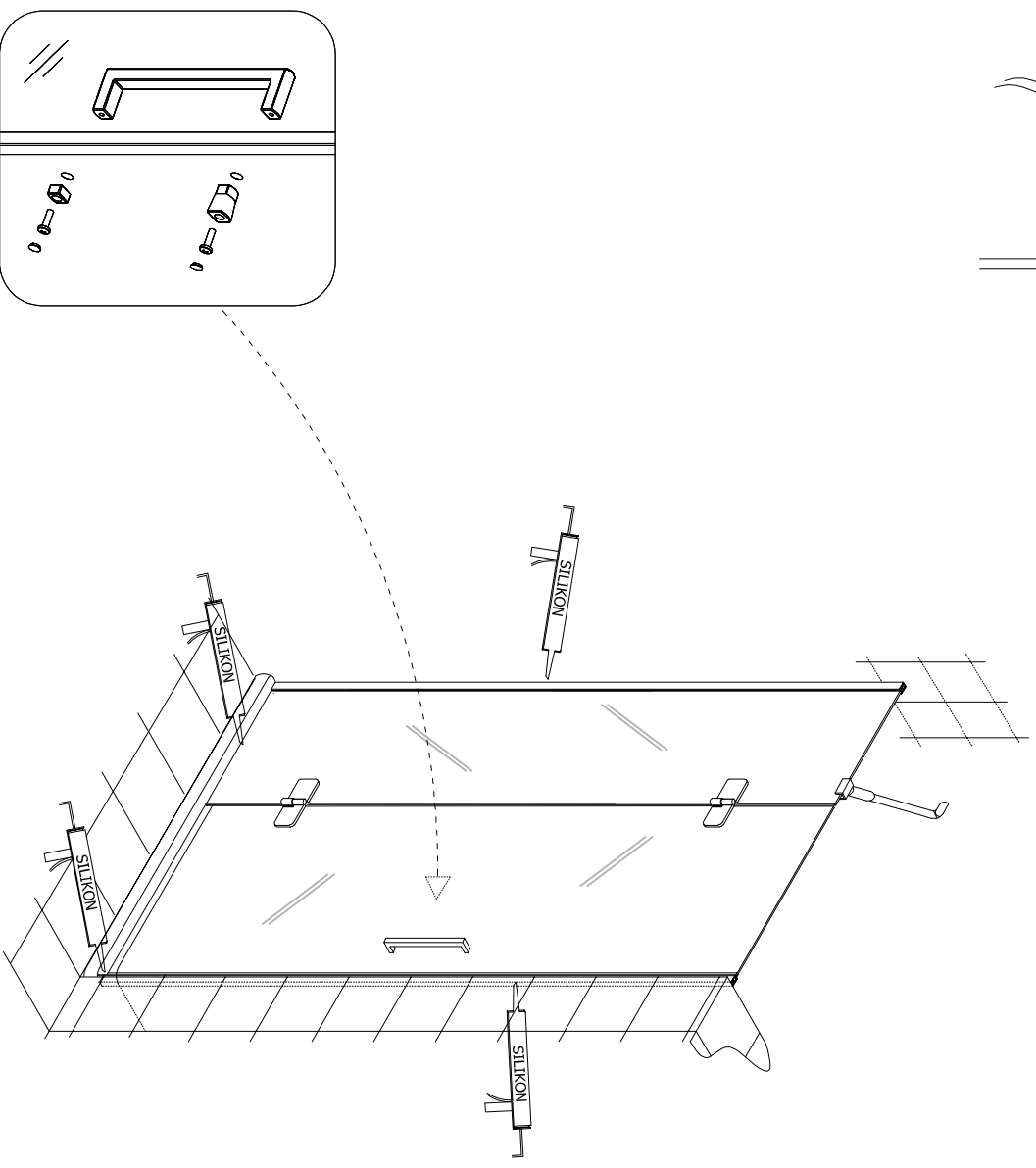
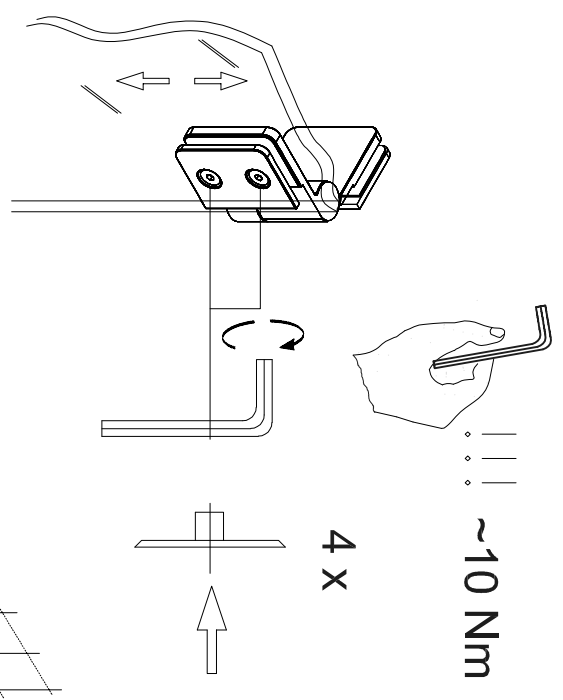


-8-

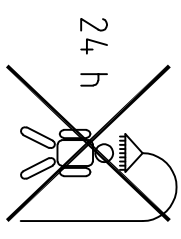


-5-

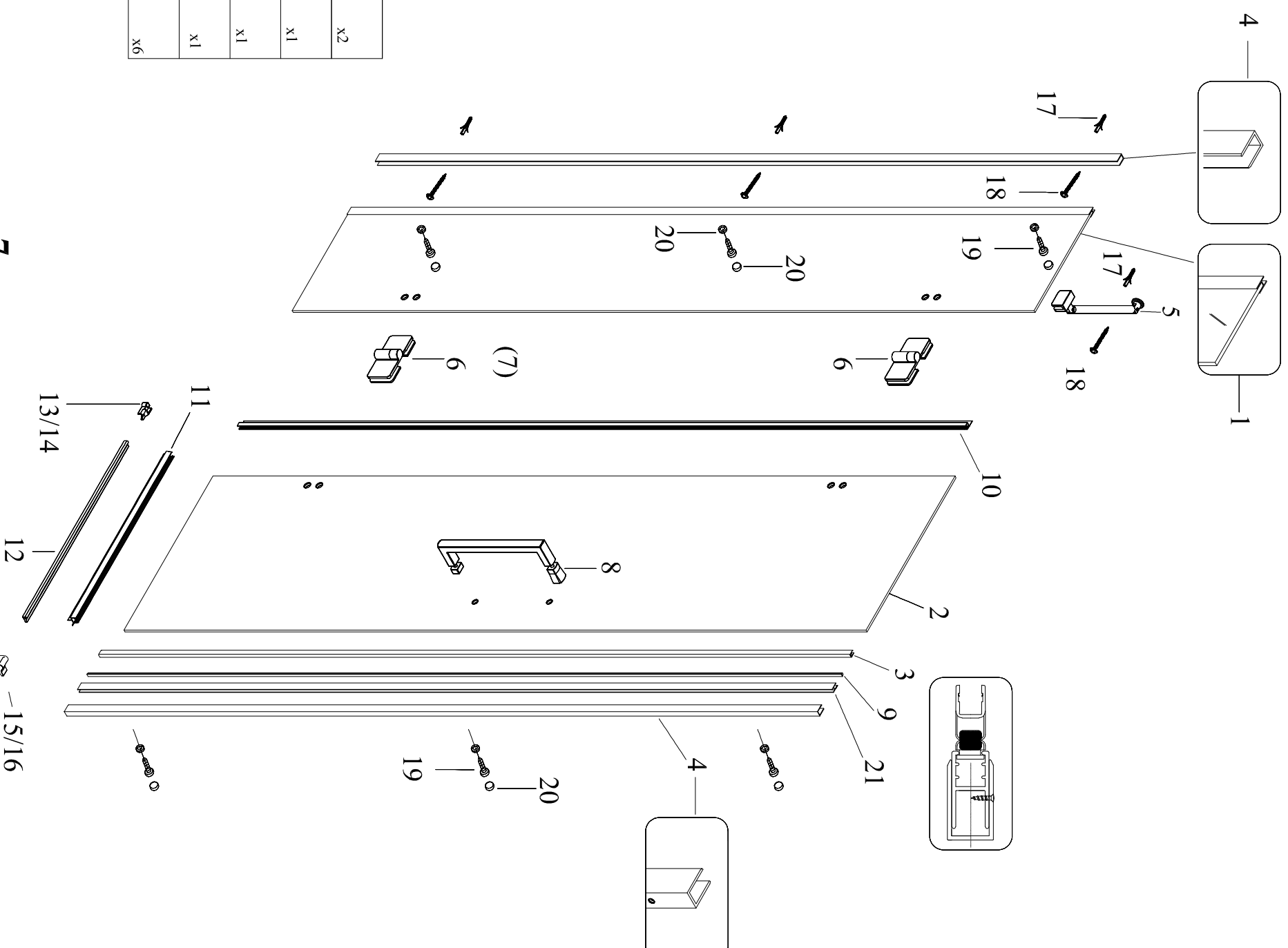
-i-



-6-



T/S /D ATLAS



1		x1
2		x1
3		x1
4		x2
5		x1
6		x2
7		x2
8		x1
9		x1
10		x1
11		x1
12		x1
13		x1
14		x1
15		x1
16		x1
17		x8
18		x8
19		x6
20		x6
21		x1