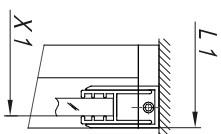
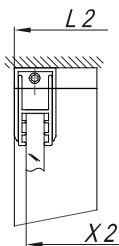
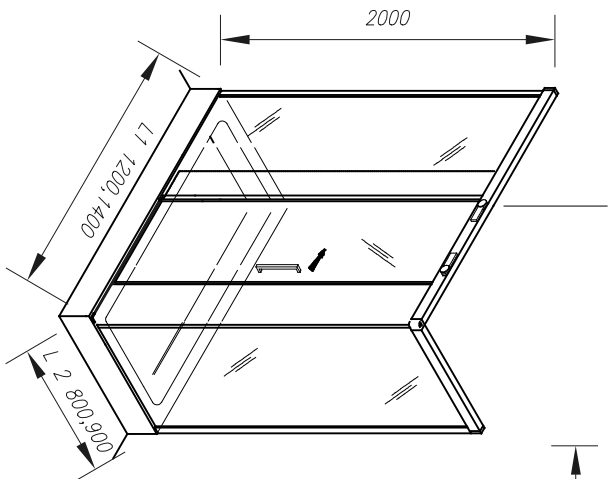
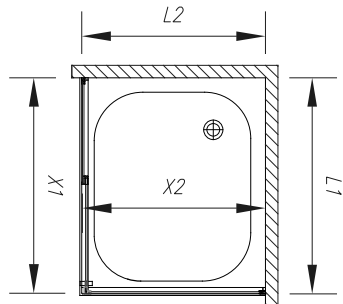
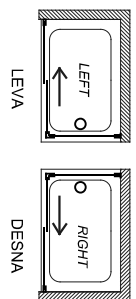
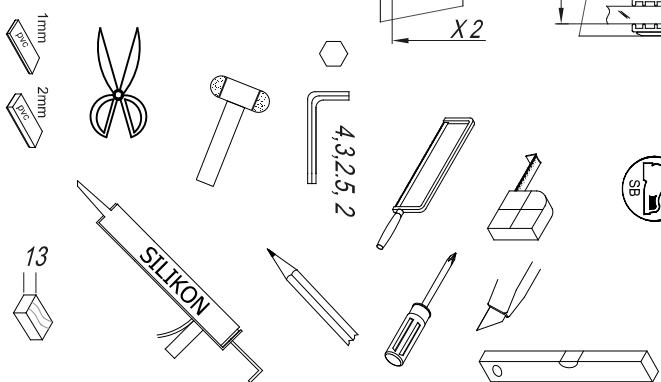


	L1 x L2	X1 x X2		
TK 120x80	1180 x 780	1175 x 775	2000	460
TK 120x90	1180 x 880	1175 x 875	2000	460
TK 140x80	1380 x 780	1375 x 775	2000	560
TK 140x90	1380 x 880	1375 x 875	2000	560

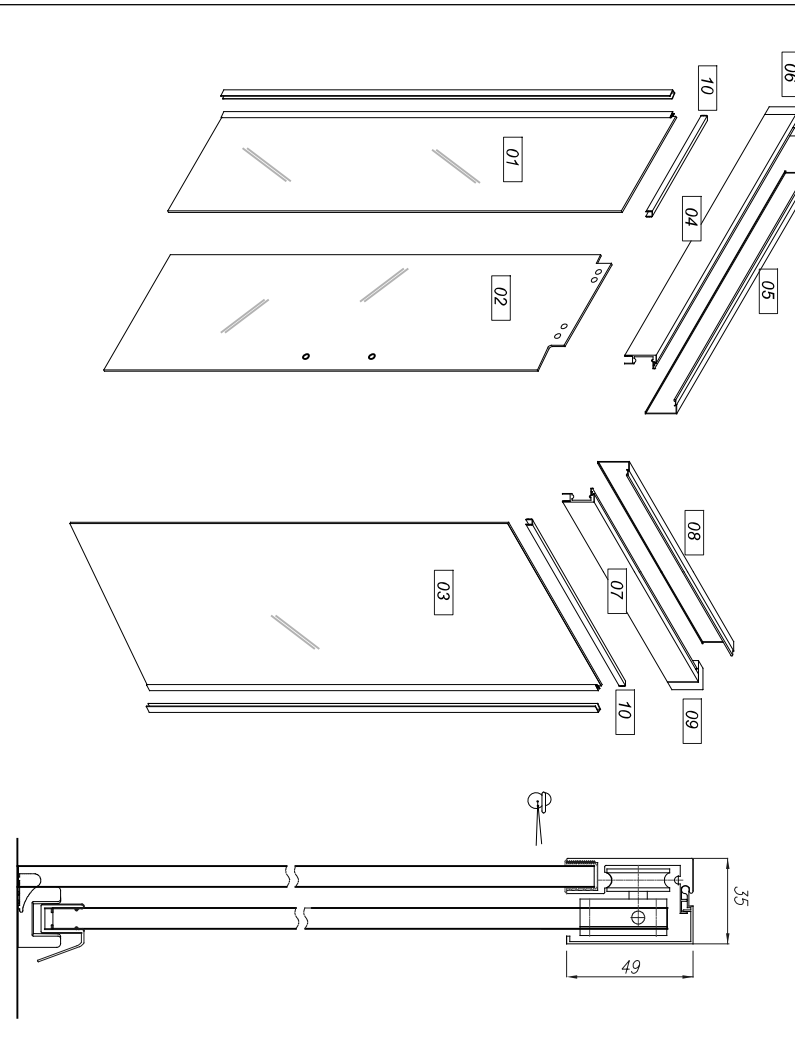
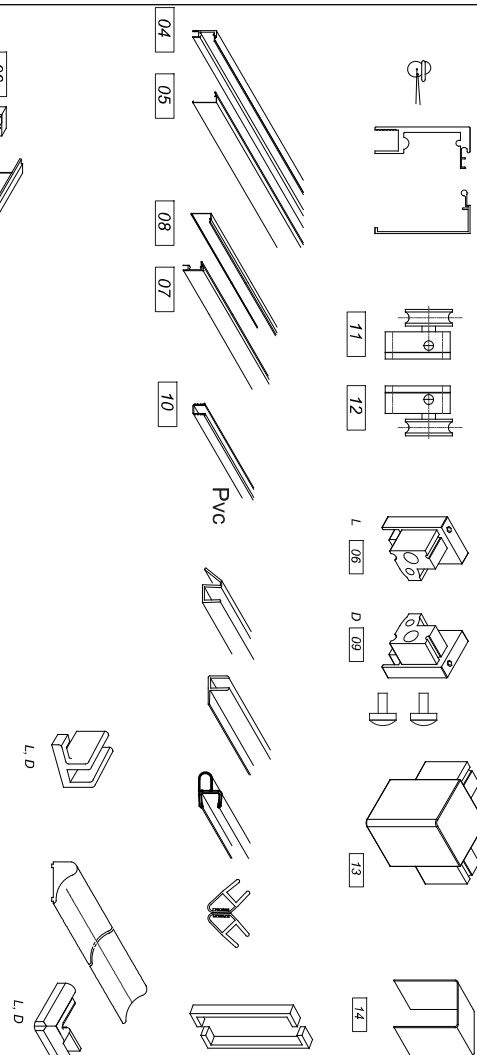


Ø 6 mm

Ø 3,5 mm



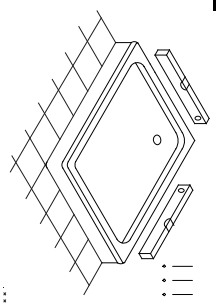
- 1 -



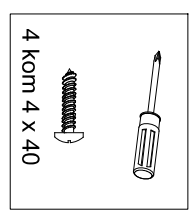
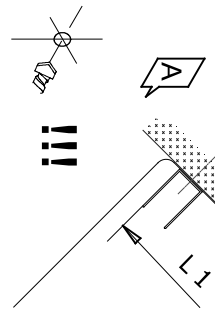
- 2 -

-a-

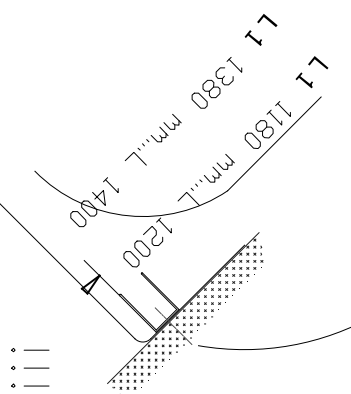
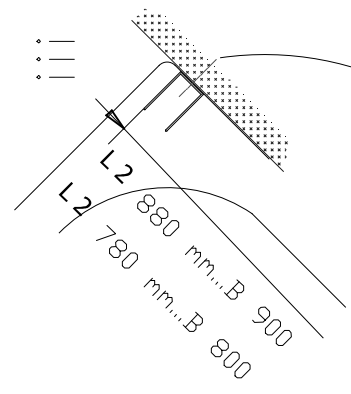
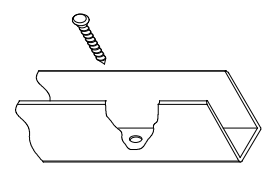
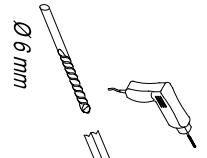
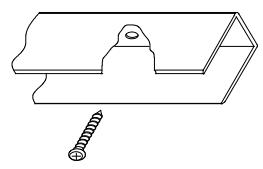
Tip	L 1 (mm)	Tip	L 2 (mm)
120	1180	80	780
140	1380	90	880



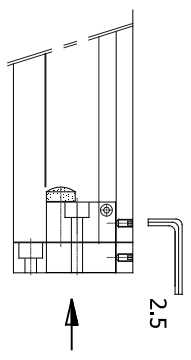
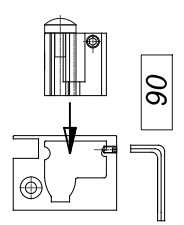
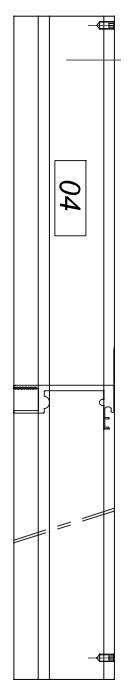
-b-



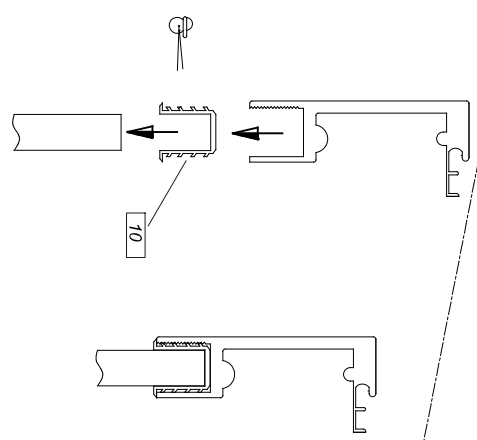
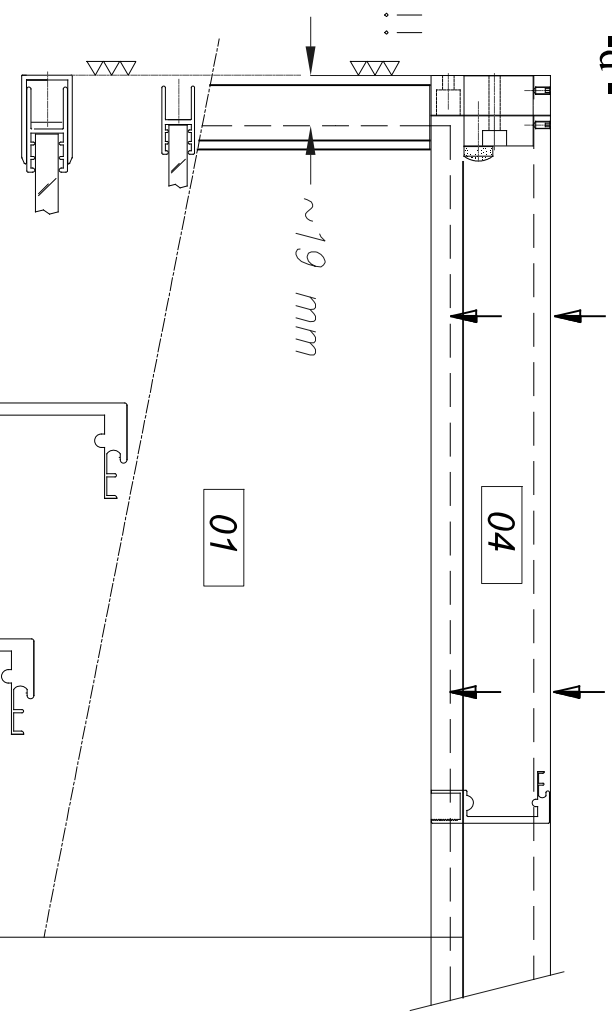
4 kom 4 x 40



-c-

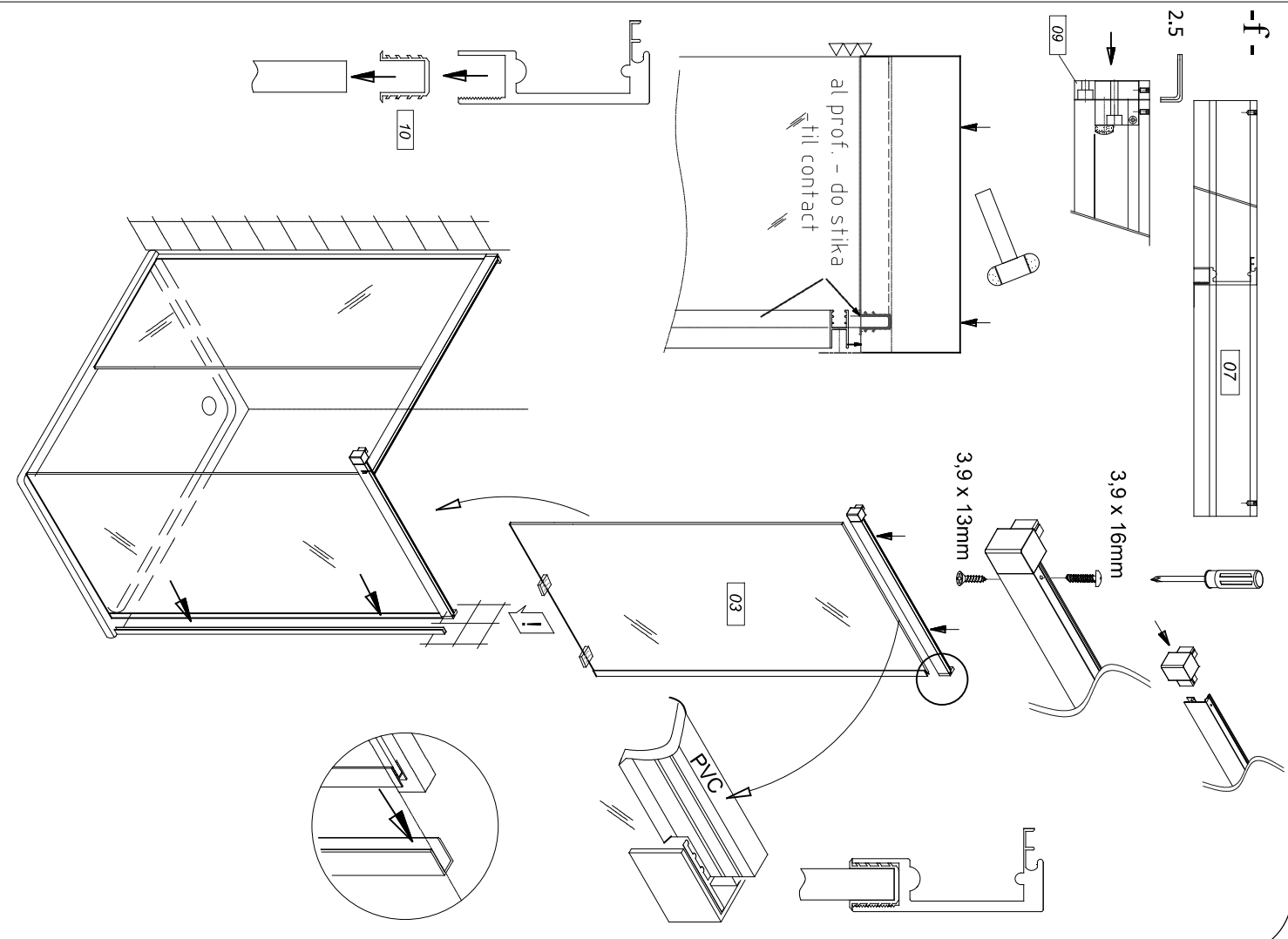
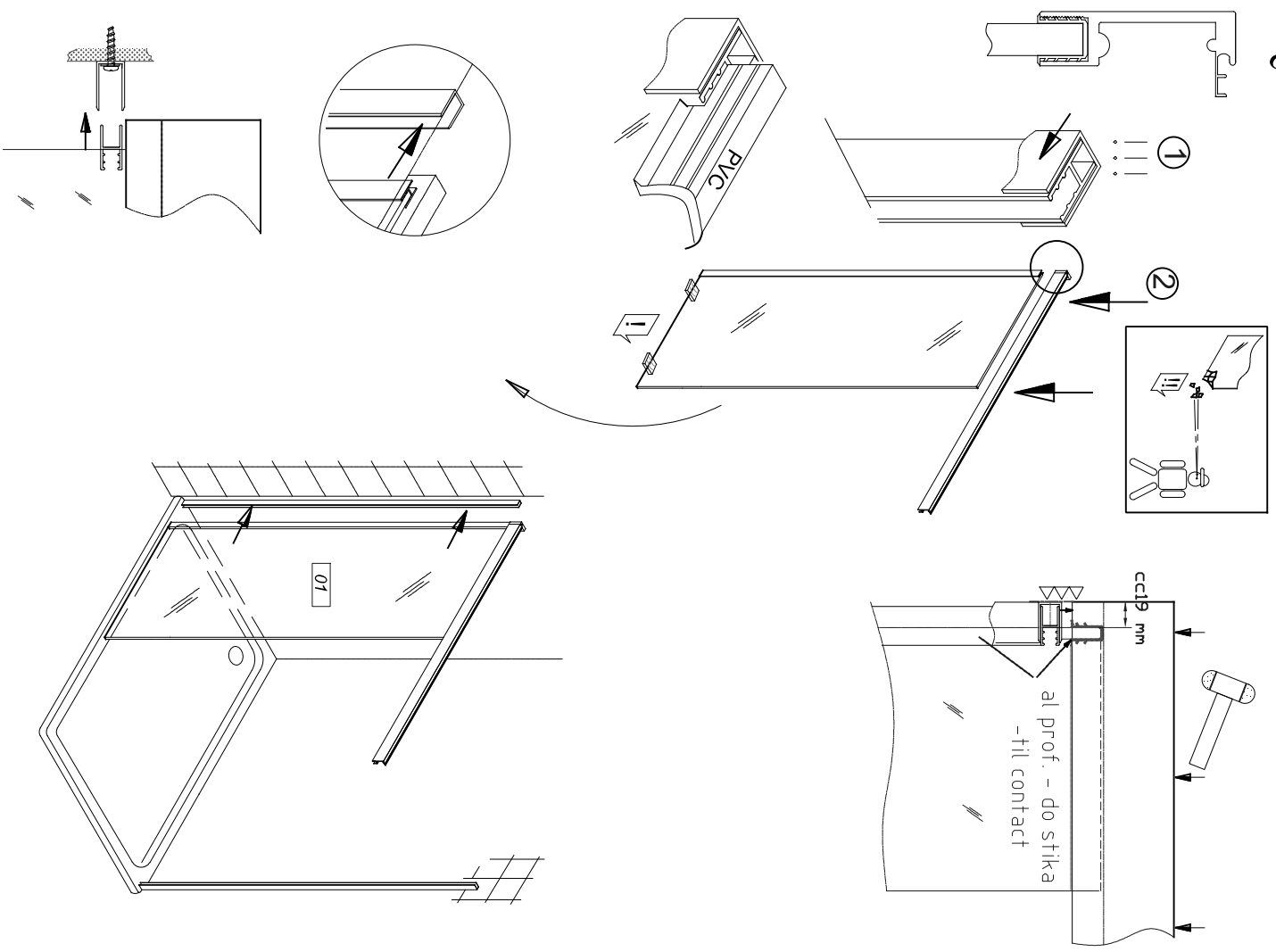


-d-

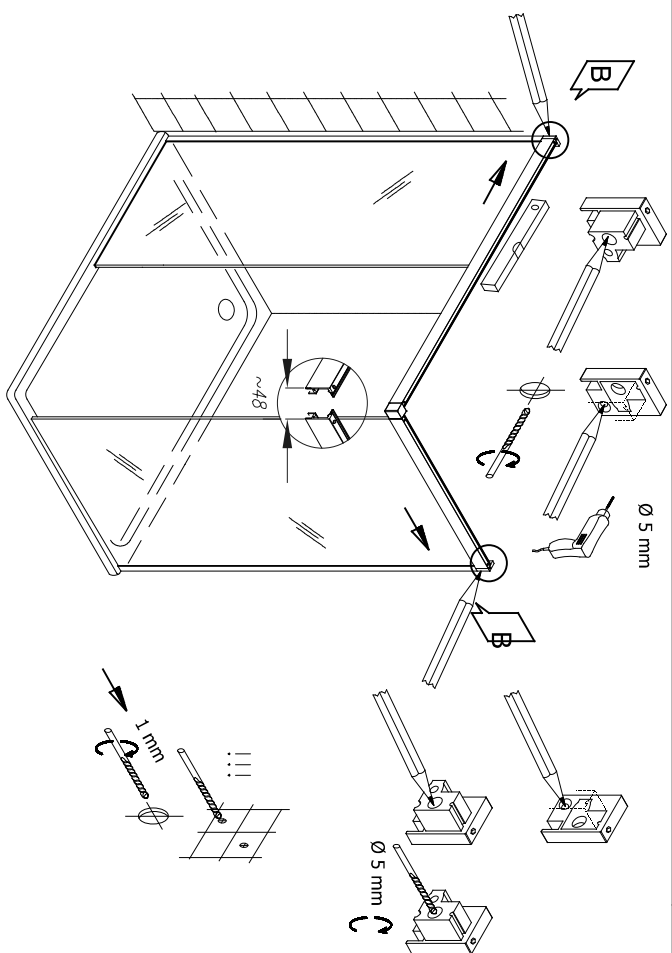


-3-

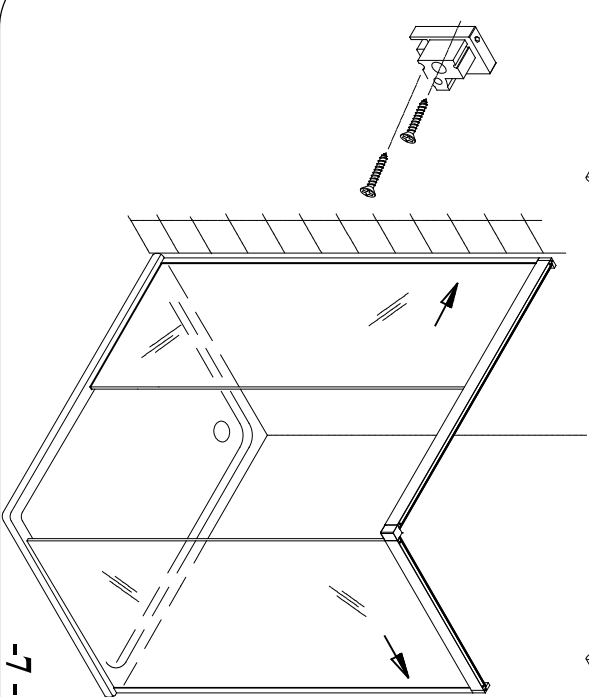
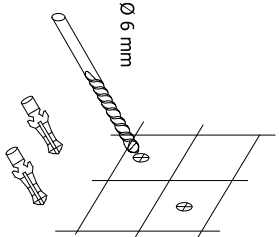
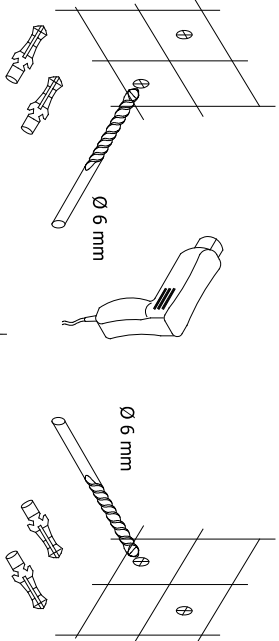
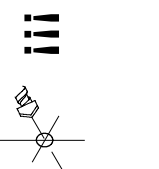
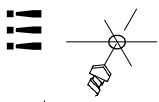
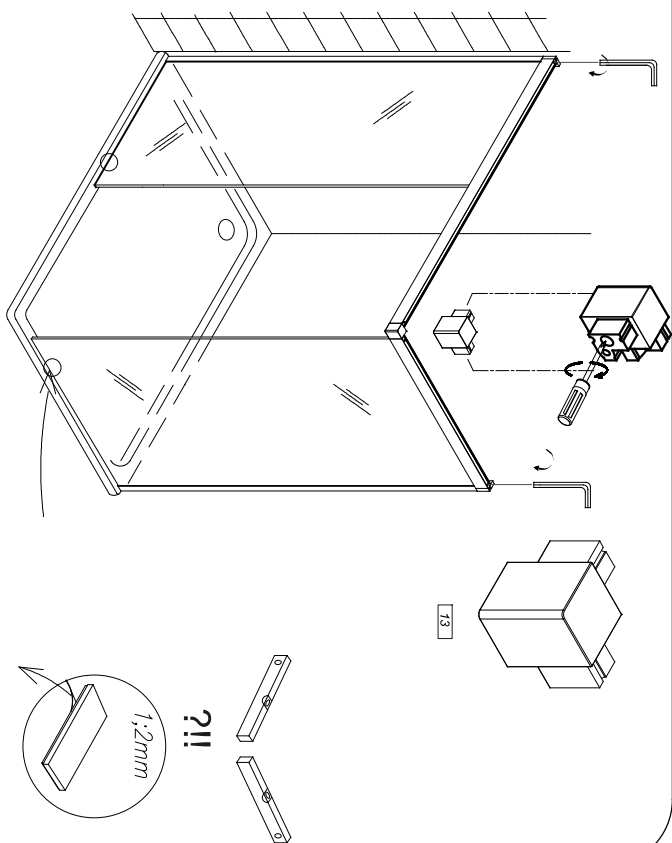
-4-



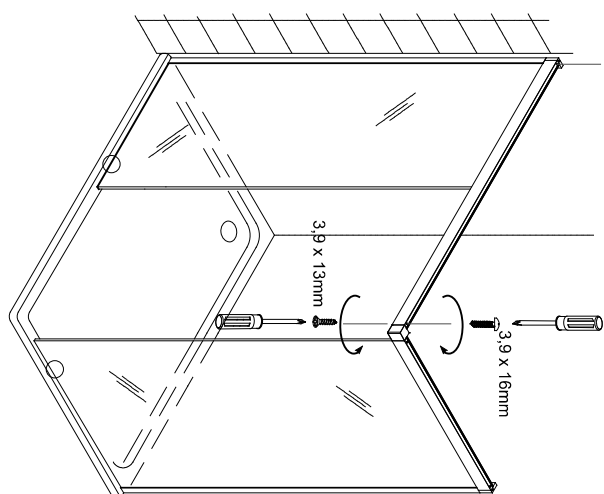
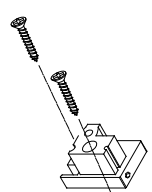
- 2 -



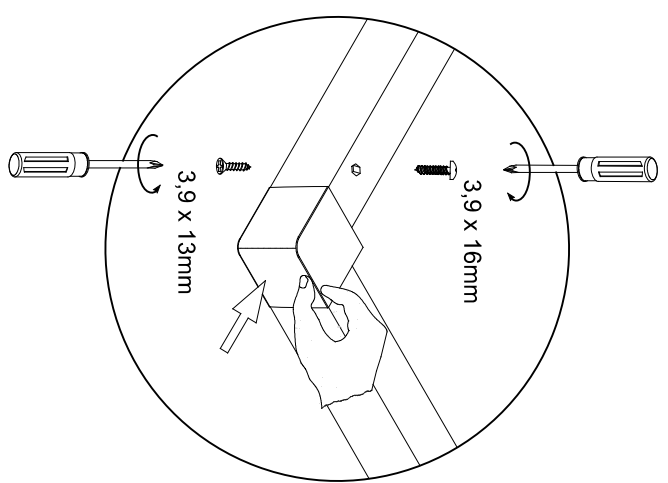
- 2 -

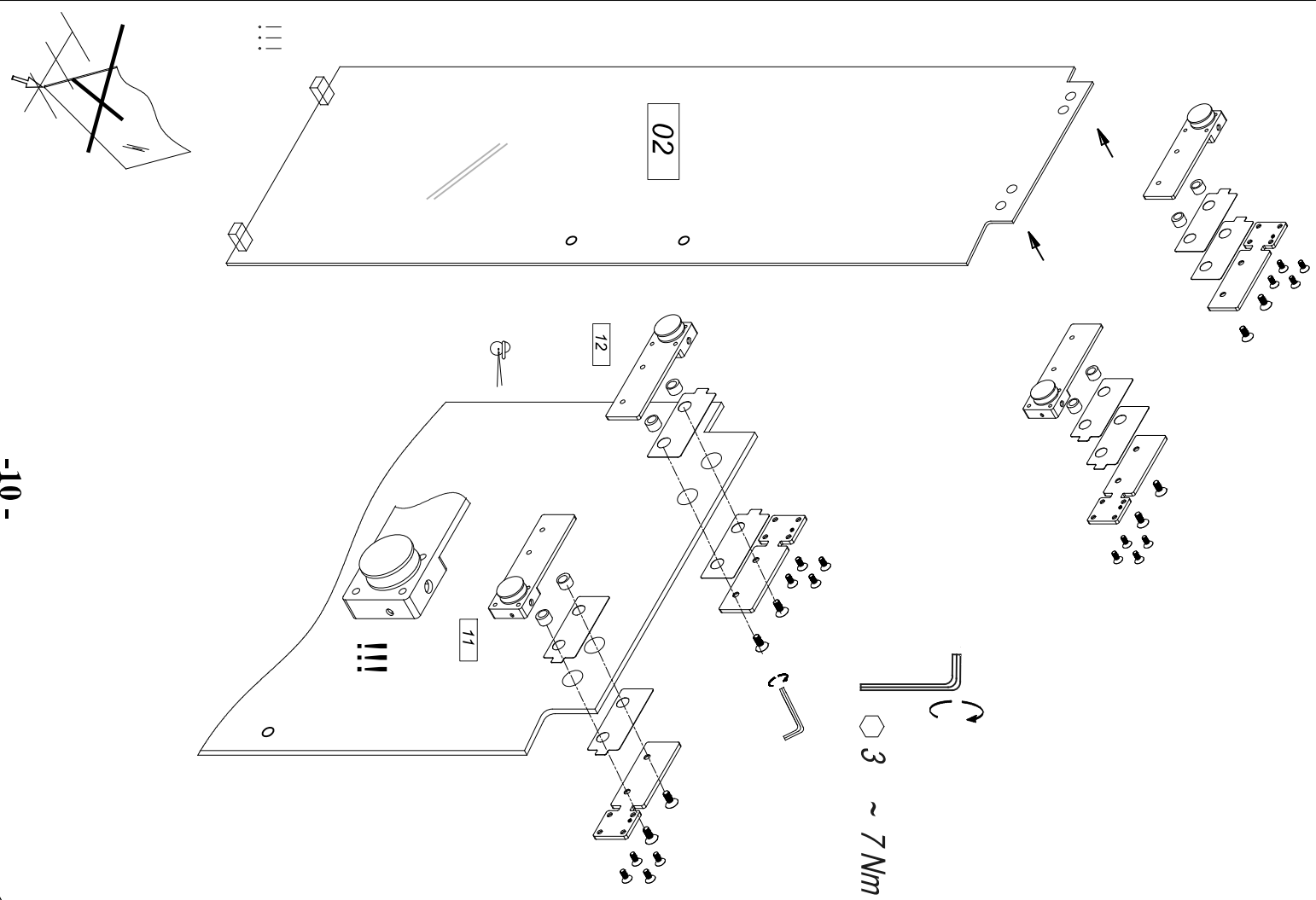
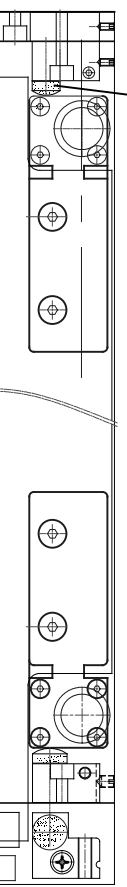
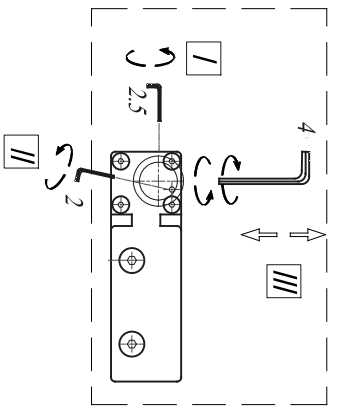
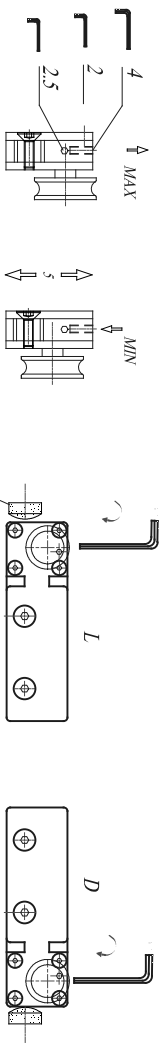
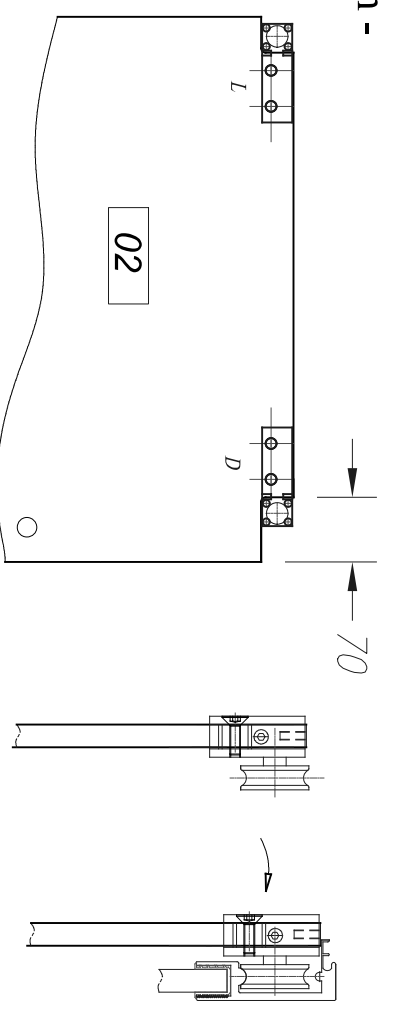


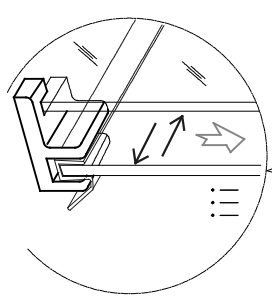
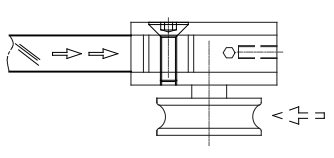
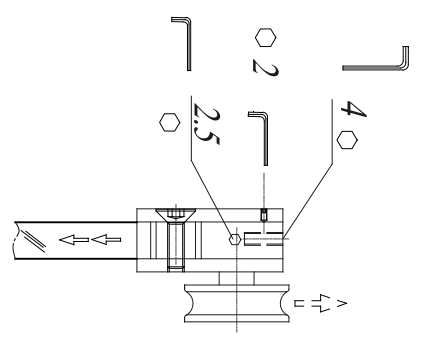
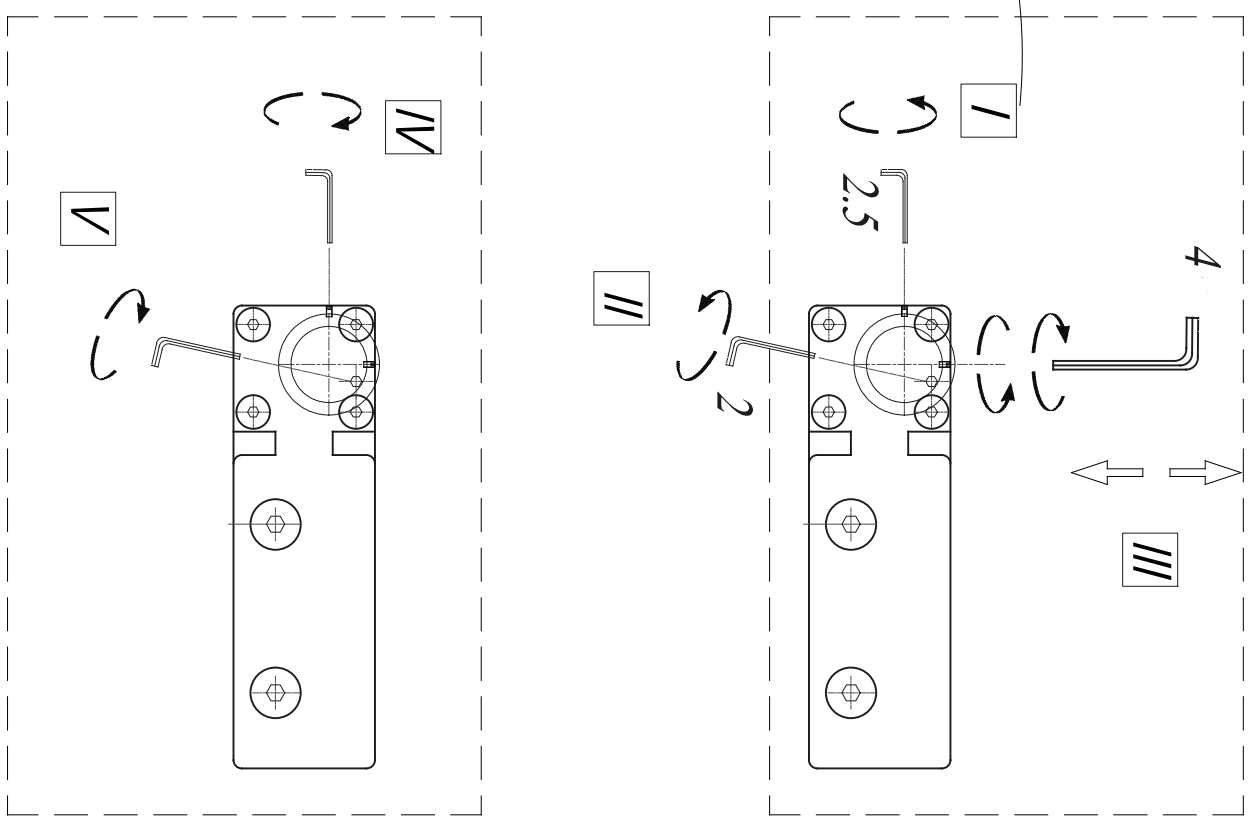
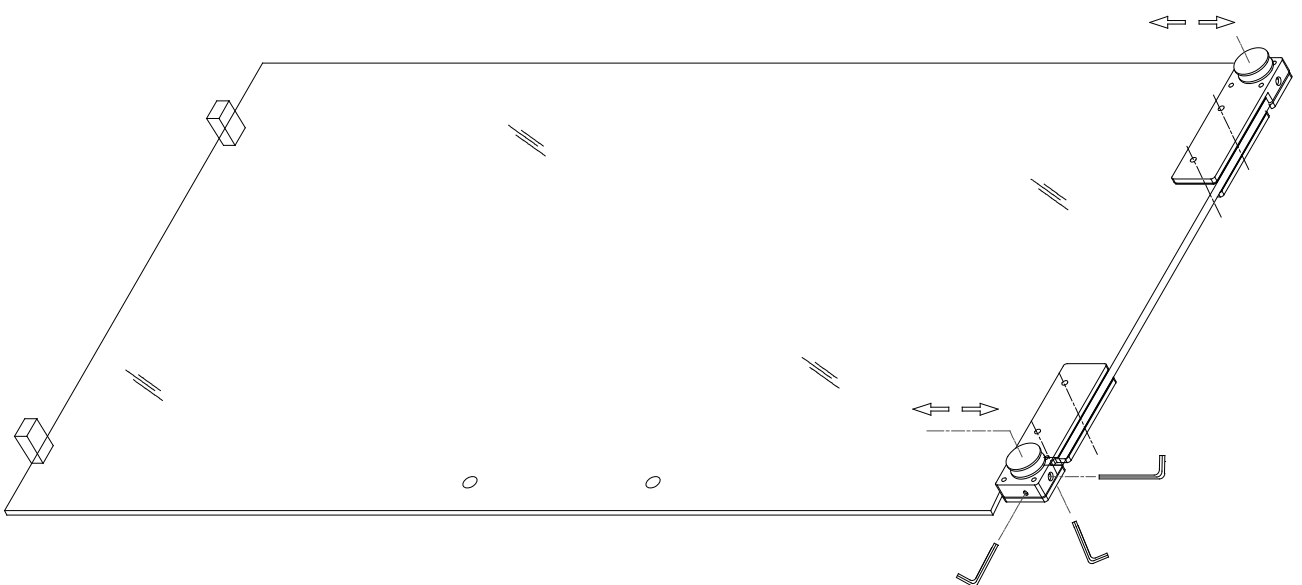
- 7 -



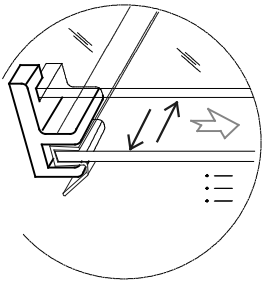
- 8 -



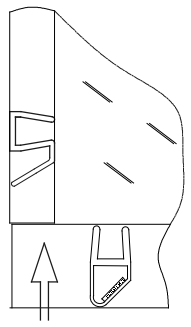
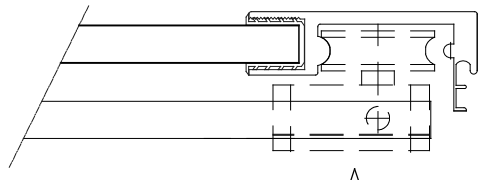
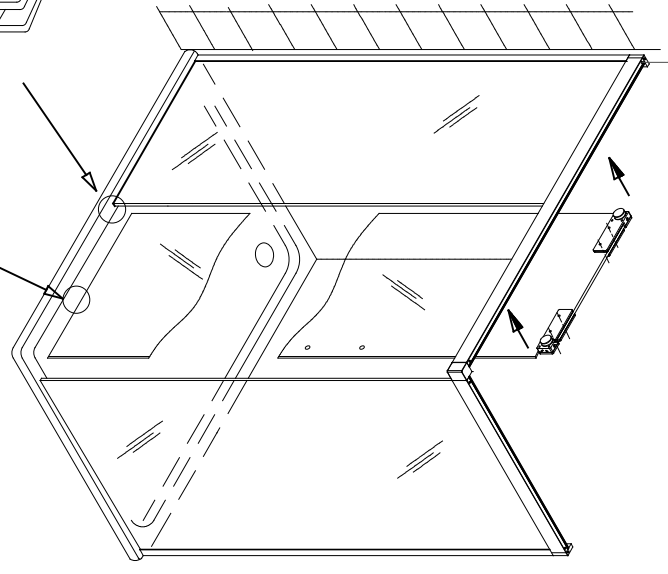
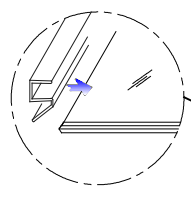
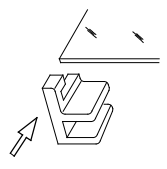
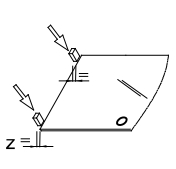




-j-



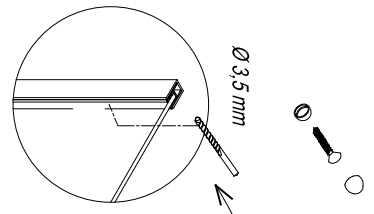
Z = CC 13 mm



L = 1936

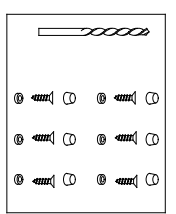
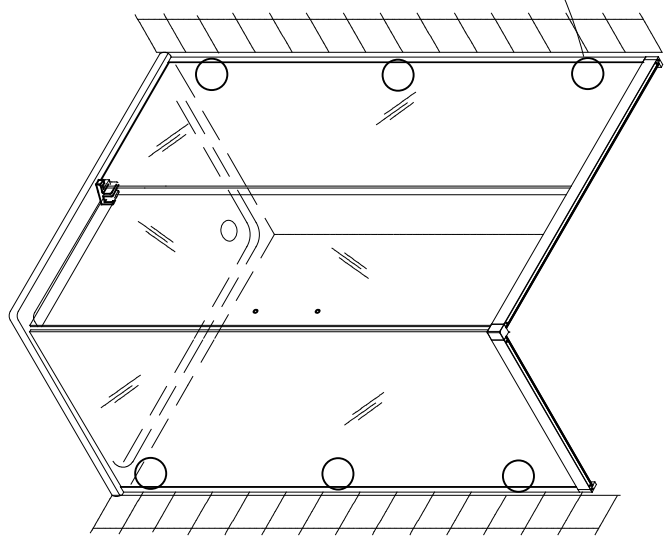
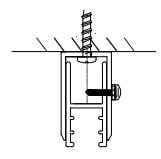
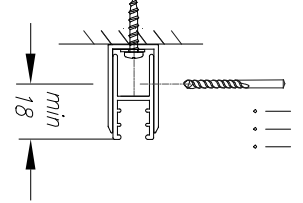
-12-

-k-

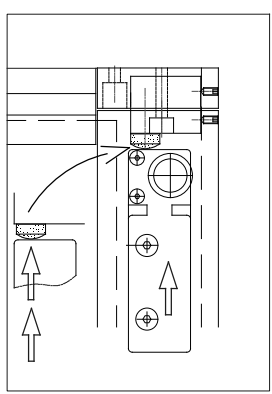
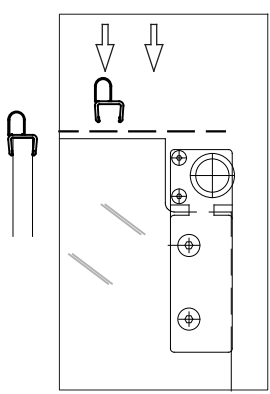
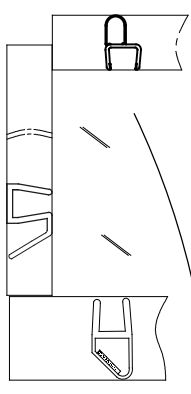
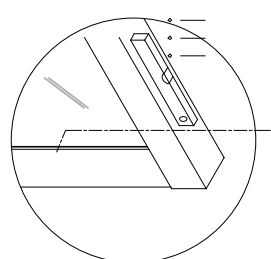


Ø 3.5 mm

3 x 3.9 x 13

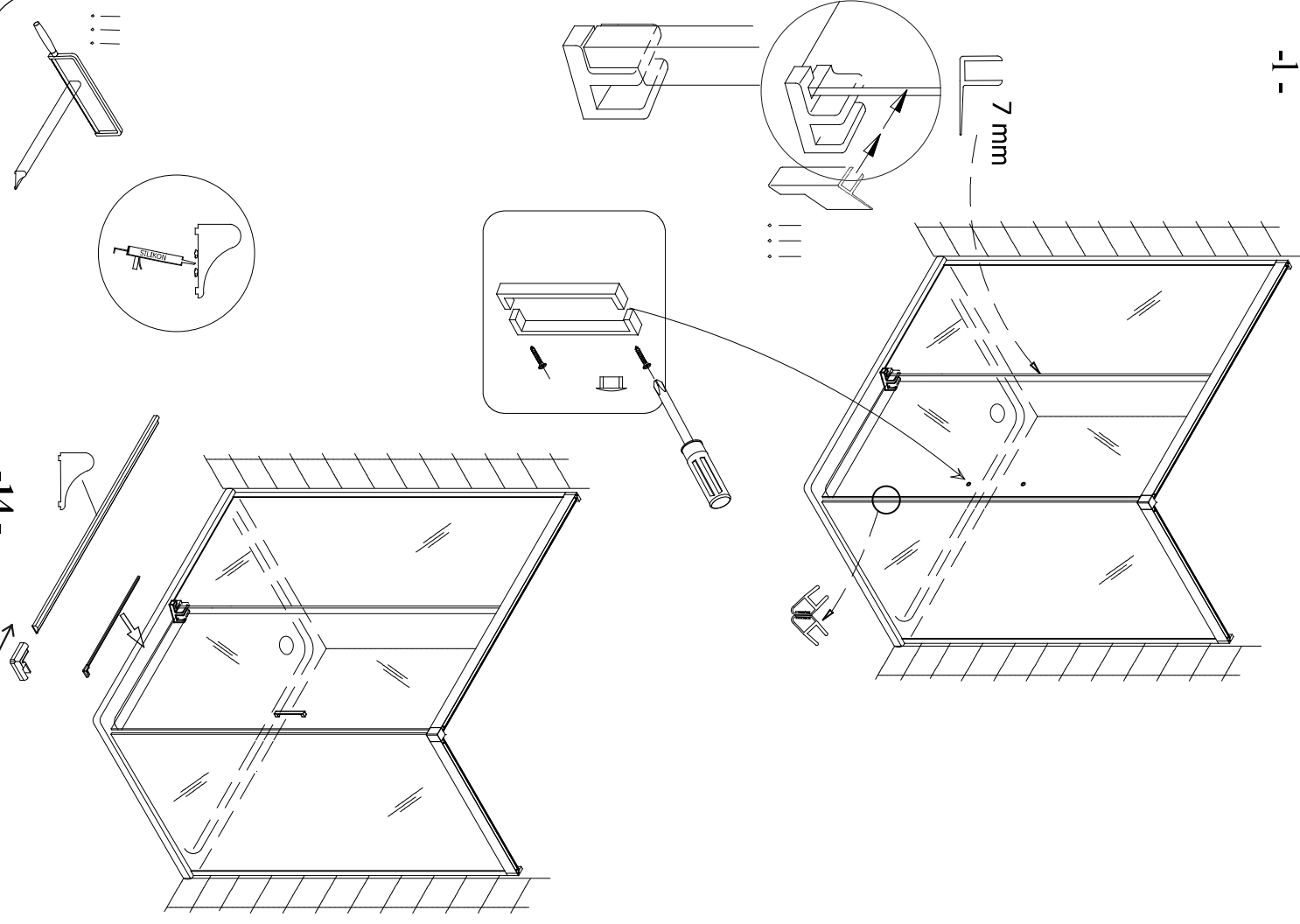


3 x 3.9 x 13

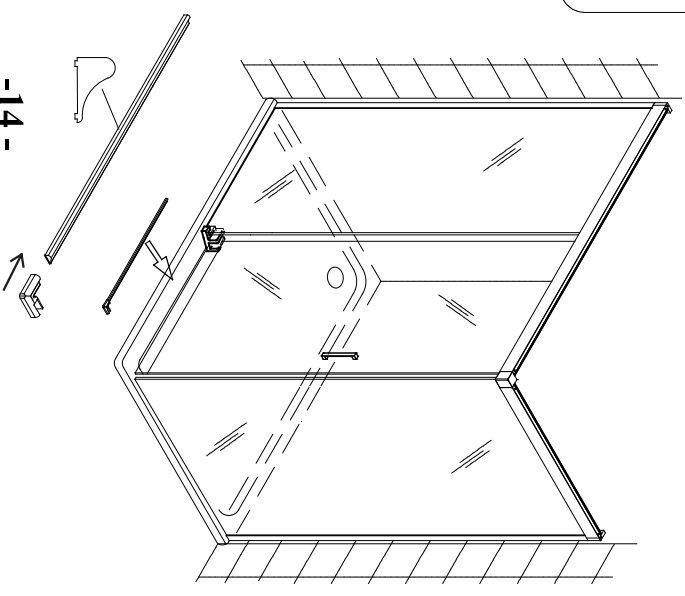


-13-

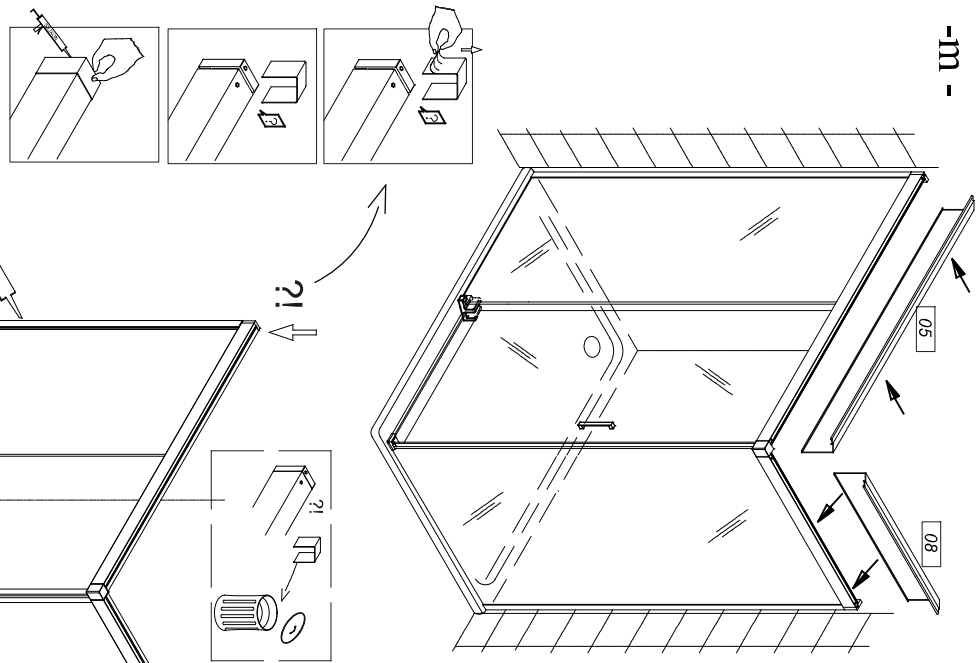
-1-



-14-



-11-



-15-

